



# **INSTALLATION MANUAL OF A DOUBLE PLEATED MOSQUITO NET IN FRONT (WALL) MOUNTED SHUTTERS**



**Prior to any mosquito net installation works, read the following installation manual.**

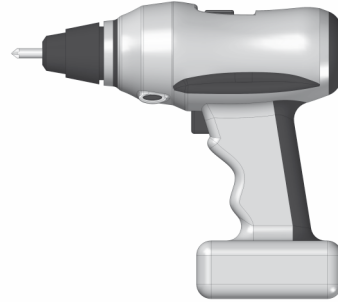
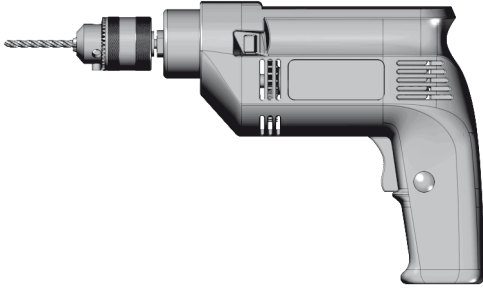
All and any changes or modifications to the structure of the mosquito net are permissible only after prior consultation with the manufacturer. The mosquito net must always be installed on even surfaces.

The mosquito net shall be installed only by competent personnel, properly trained in OHS rules and applicable construction laws.

**Directly prior to installation, the mosquito net shall be unpacked and checked for completeness of all parts necessary for its installation.**

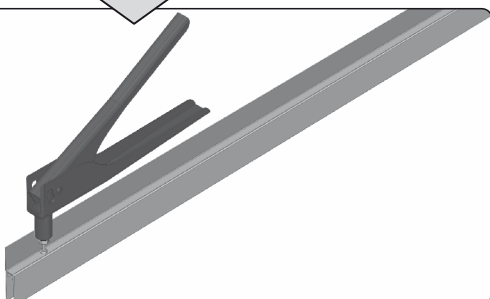
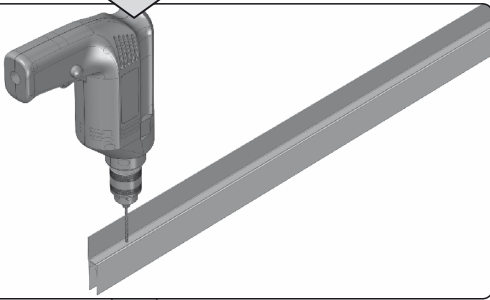
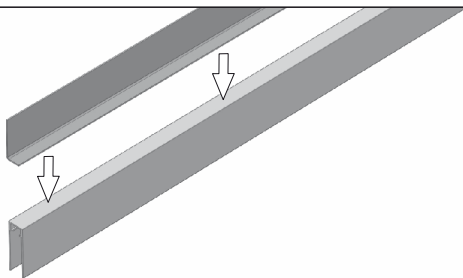
Tools necessary for the installation of the mosquito net:

- Drill-driver
- Drilling machine with a set of drill bits
- Allen wrench 4mm
- Pencil



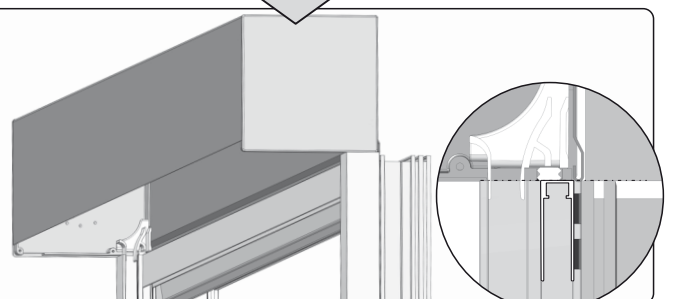
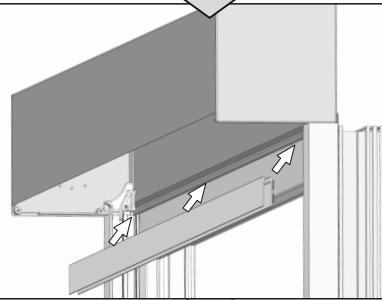
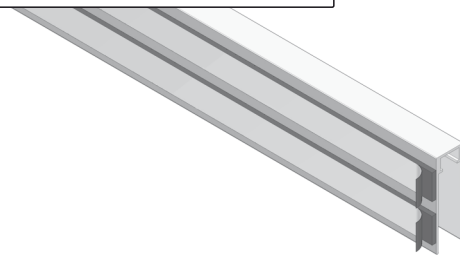
The kit supplied by PORTOS excludes any screws or screw anchors. At the stage of installation, particular attention shall be paid to the cords of the pleated mosquito net. The cords must be of equal length, must be arranged parallelly and must never be twisted together. This is crucial for correct mosquito net installation works.

Roller shutter system: ST2000, RL2000, OS2000, OL2000

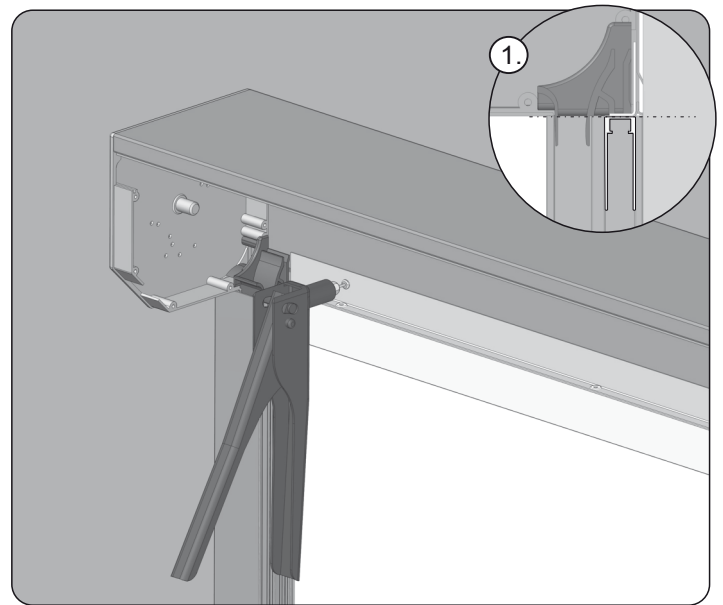
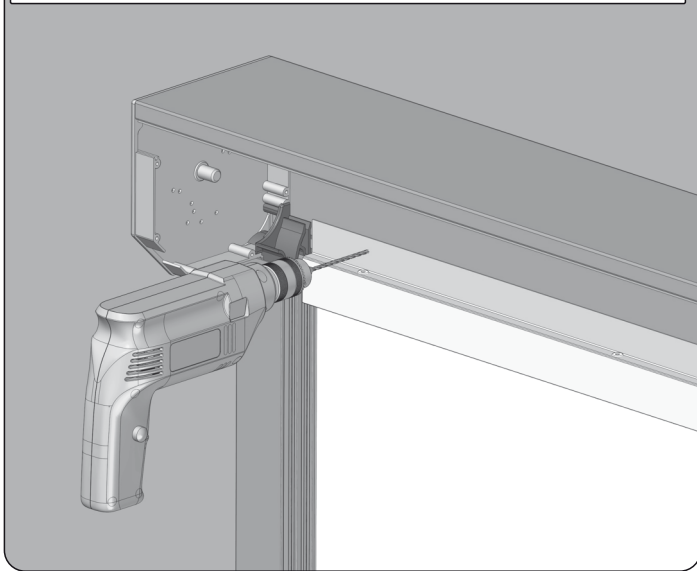


1. Using the 4.2 drill bit, drill the mounting holes in the mounting angle bracket and the upper rail of the mosquito net. The holes shall be drilled at every 50 cm and there shall be at least 3 holes in each profile. Next, fasten the mounting angle bracket to the rail using rivets.

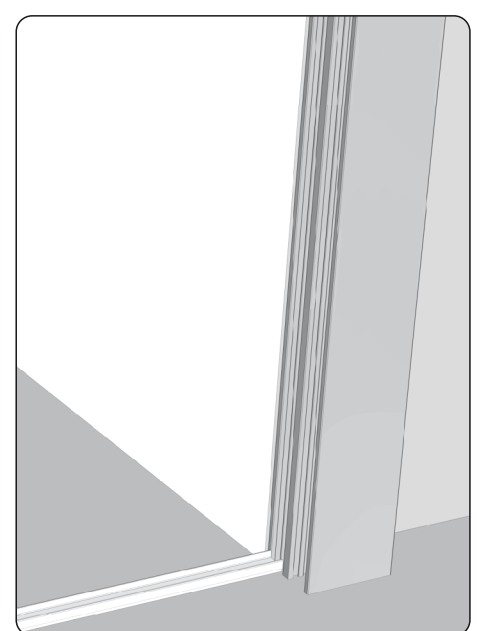
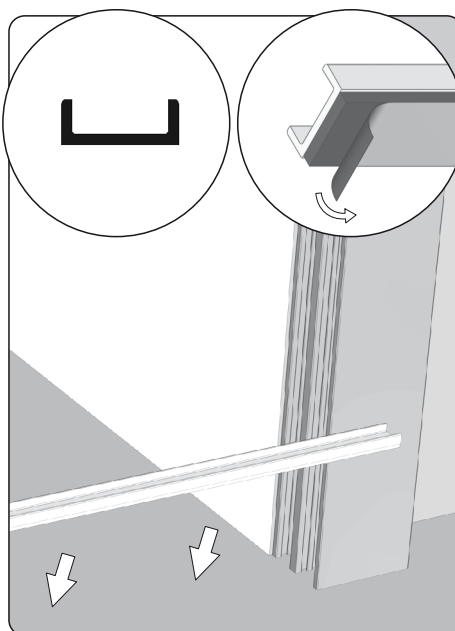
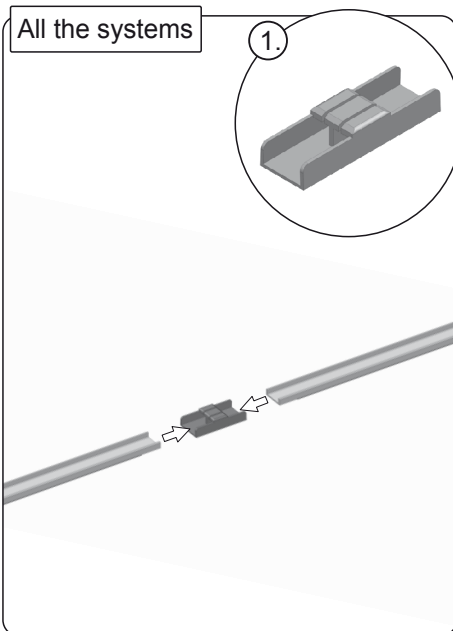
Roller shutter system: IT2000



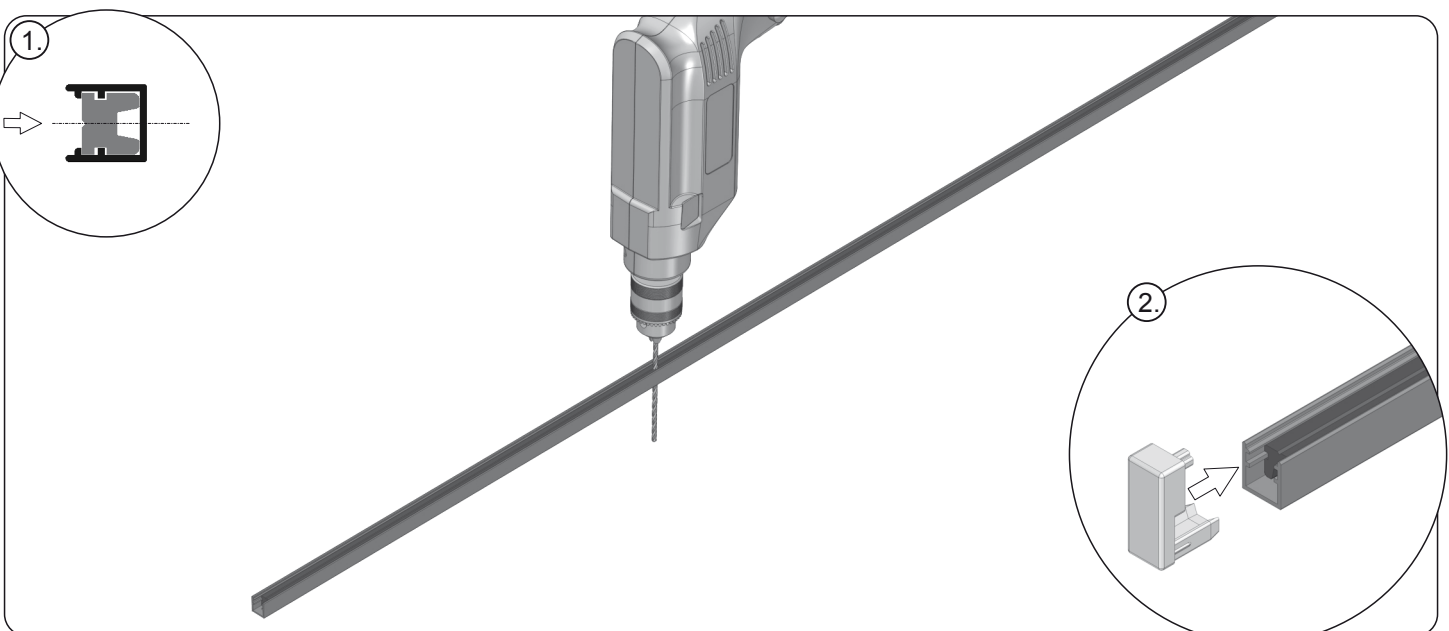
1a. Using the double-sided adhesive tape, fasten the upper rail of the mosquito net, from the internal side of the box, to the window frame so that its upper plane is aligned with the upper end of the mosquito net guide.



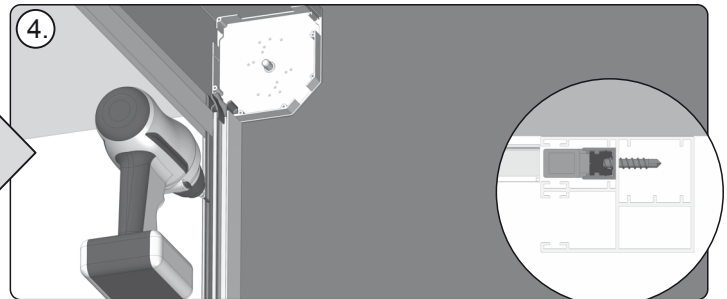
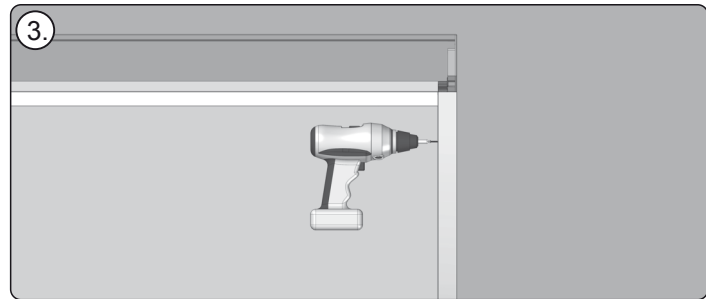
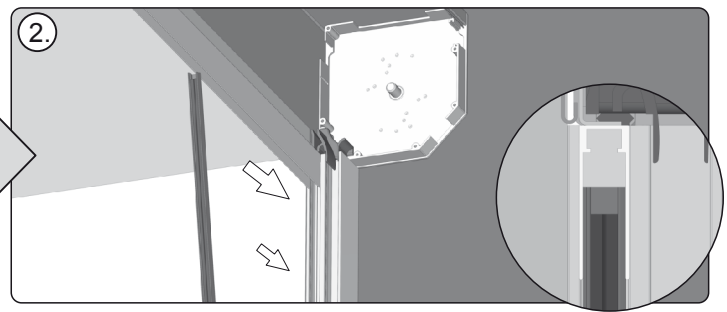
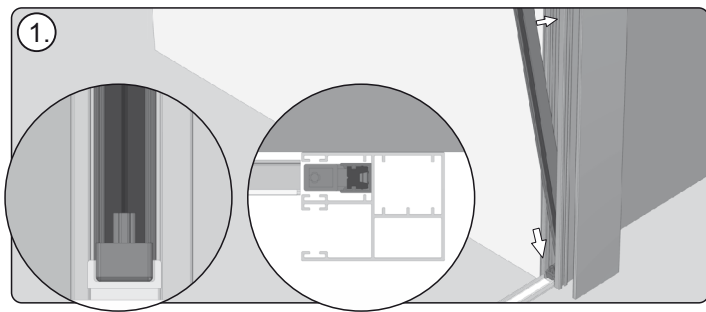
2. The so prepared upper rail of the mosquito net shall be fixed to the internal side of the roller shutter box. Make sure that the upper plane of the mosquito net rail is aligned with the upper end of the mosquito net guide (1). Using the 4.2 drill bit, drill the holes through the mounting angle bracket and the roller shutter box. The holes shall be drilled at every 50 cm and there shall be at least 3 holes in each profile.



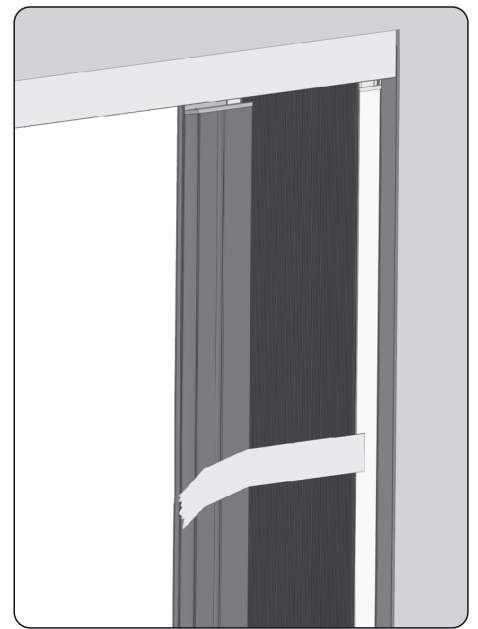
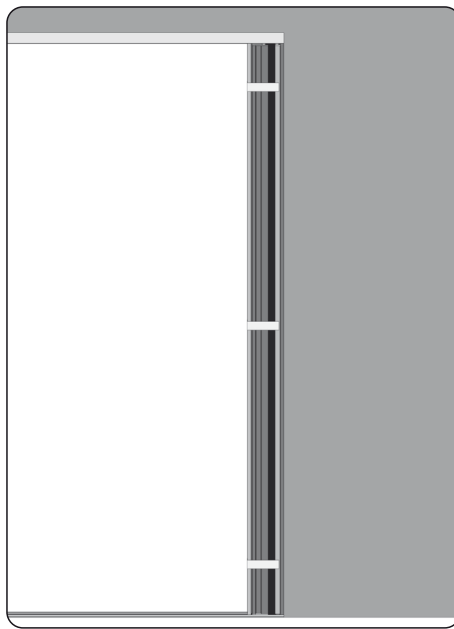
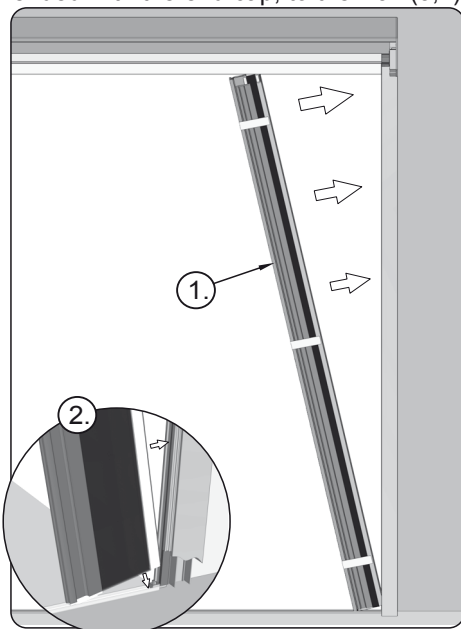
3. Connect the two bottom slats using the cord lock (1). The bottom slats shall be attached to the surface underneath by using the adhesive tape at the slat bottom.



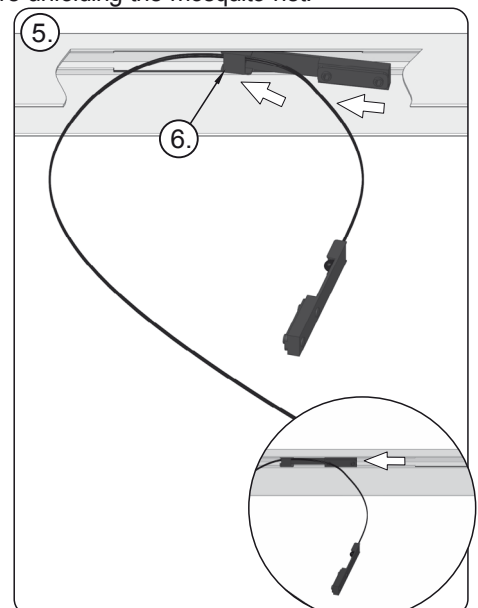
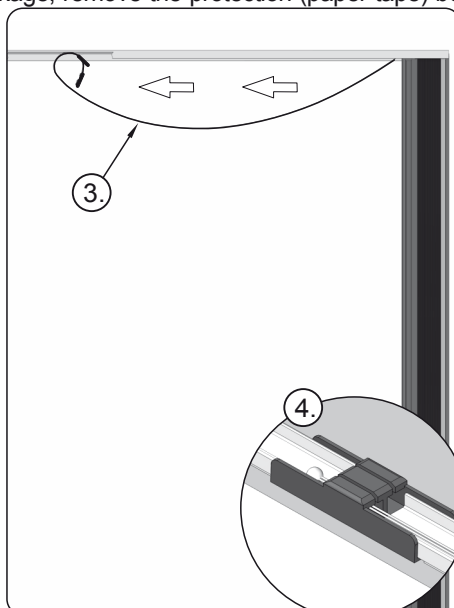
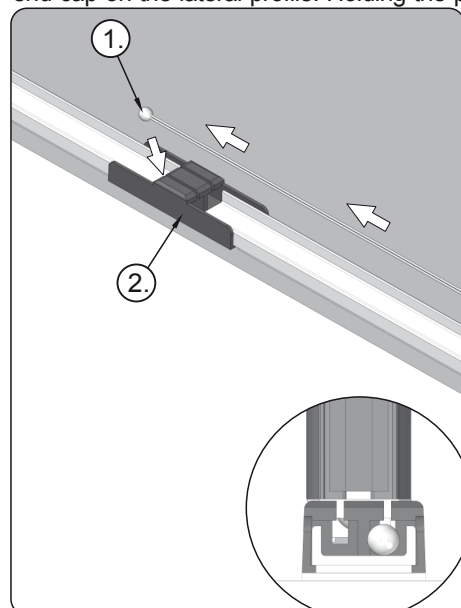
4. Drill the mounting holes in the lateral profile of the mosquito net through the profile and the magnet (1), using the 3.5 drill bit. The holes shall be drilled at every 50 cm and there shall be at least 3 holes in each profile. The bottom part of the profile shall be ended with the end cap (2).



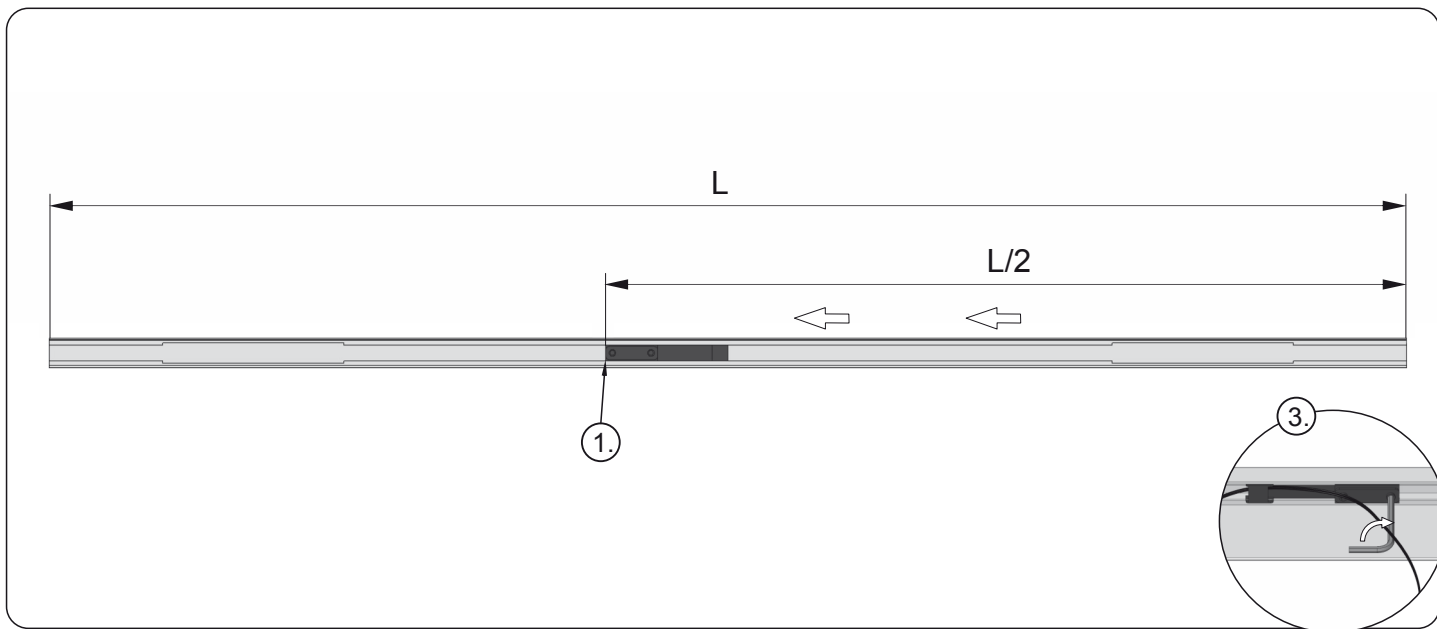
5. First, insert the lateral profile ended with the end cap in the groove of the mosquito net guide (1), next slide the profile towards the guide and make sure that the upper part of the lateral profile gets fitted into the upper profile (2). Screw the lateral profile, ended with the end cap, to the wall (3,4).



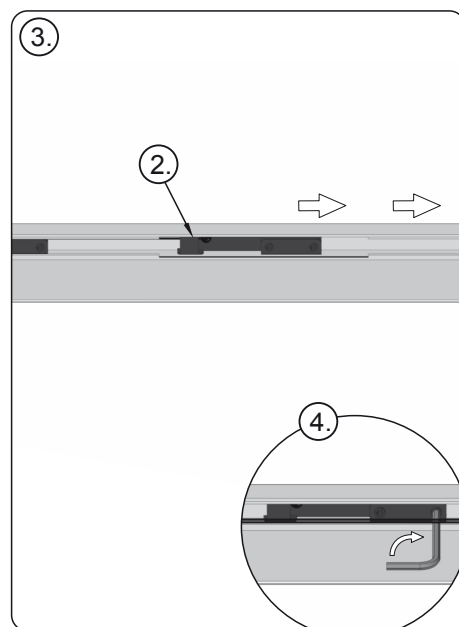
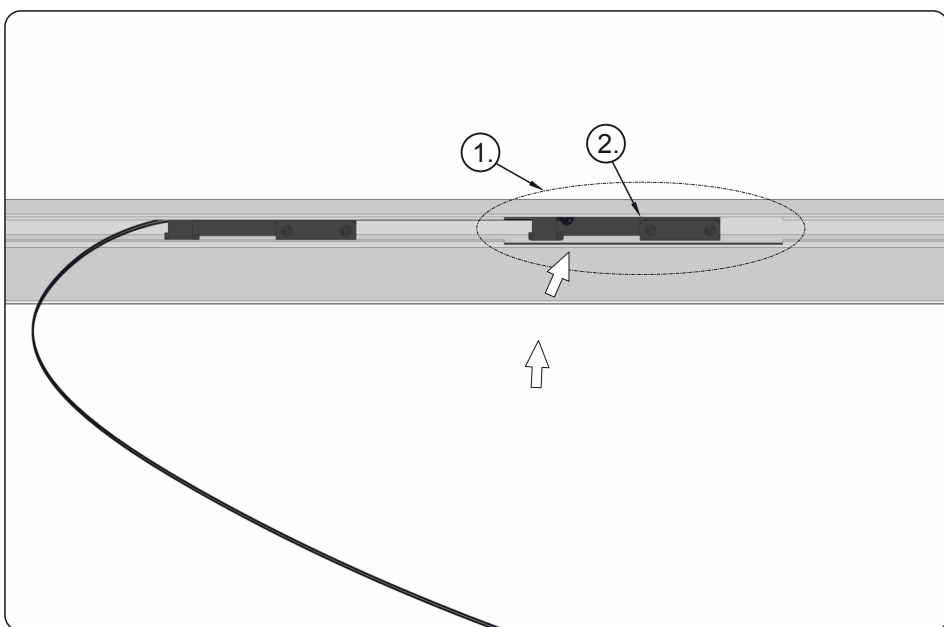
6. Start the installation of the mosquito net package from inserting the bottom part of the profile into the protruding mandrel of the bottom end cap on the lateral profile. Holding the package, remove the protection (paper tape) before unfolding the mosquito net.



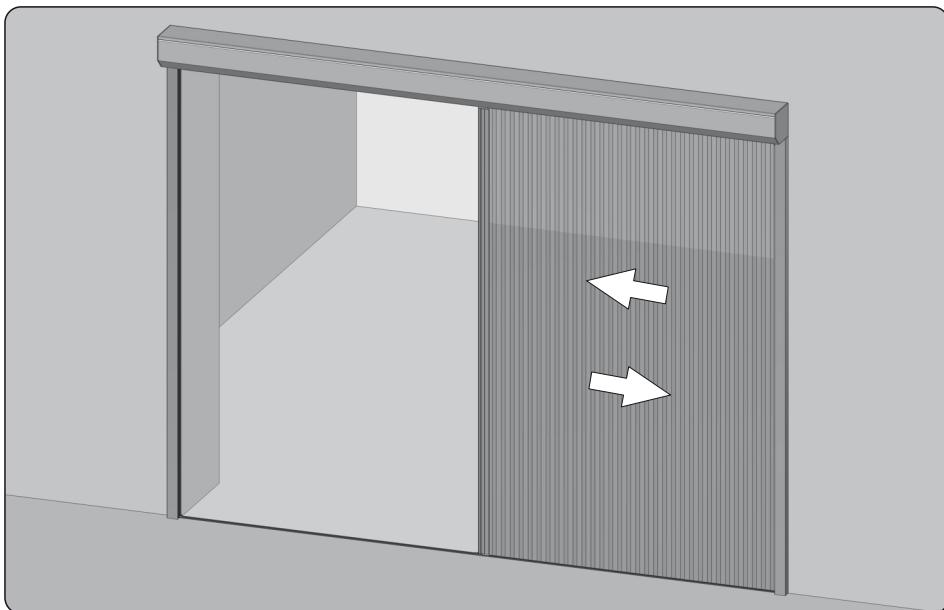
7. Stretch the bottom cords of the mosquito net. Make sure they do not get entangled, twisted or bundled. Put cord ends (1) in the cord lock of the bottom rail (2). Stretch the upper cord (3) so that the bottom cord gets properly tensioned and blocked (4). Properly place the upper cords. Pay particular attention and make sure that they are not entangled, twisted or bundled. As shown in figure 5, slide the element of the cord lock (6) through the milled hole in the upper rail in such a manner...



8. ...that the lock end (1) is exactly in the middle of the upper rail. Fix the lock by tightening the socket head screws (2).



9. Insert the second lock (2) in the same milled hole (1) in the upper rail, slide the lock in the direction opposite to the first lock (3), this way, you will stretch the mosquito net cords. Fix the lock by tightening the socket head screws (4).



10. Check if the mosquito net works properly. If high resistance is felt during the sliding motion, decrease the tensioning of the cords, as presented in point 9. The second package of the mosquito net shall be installed on the opposite side following the same instructions as given for the first package, i.e. following the steps explained in points 4-9.



**WARNING - FOLLOWING THESE INSTRUCTIONS  
IS IMPORTANT FOR THE SAFETY OF PERSONS.  
KEEP THESE INSTRUCTIONS**



**PORTOS TR7**

**spółka z ograniczoną odpowiedzialnością**

ul. Złota 71

62-800 Kalisz

tel 62 768 40 11

E-mail: [sekretariat@portosrolety.pl](mailto:sekretariat@portosrolety.pl)

[www.portosrolety.pl](http://www.portosrolety.pl)