



INSTALLATION MANUAL OF A PLEATED MOSQUITO NET IN FRONT (WALL) MOUNTED SHUTTERS

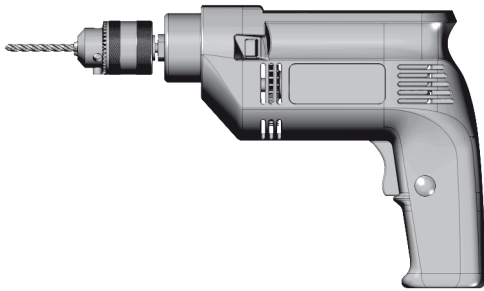


Prior to any mosquito net installation works, read the following installation manual.
 All and any changes or modifications to the structure of the mosquito net are permissible only after prior consultation with the manufacturer. The mosquito net must always be installed on even surfaces.
 The mosquito net shall be installed only by competent personnel, properly trained in OHS rules and applicable construction laws.

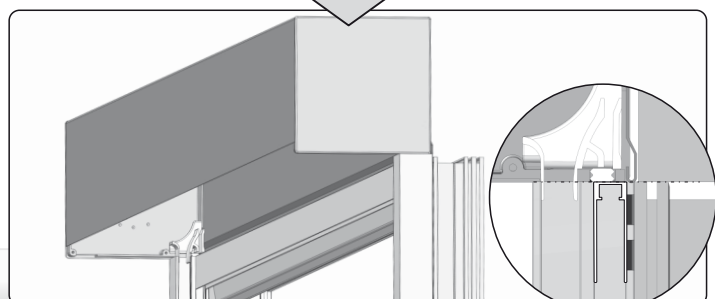
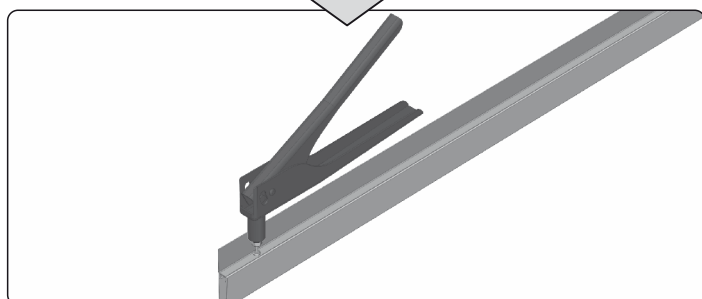
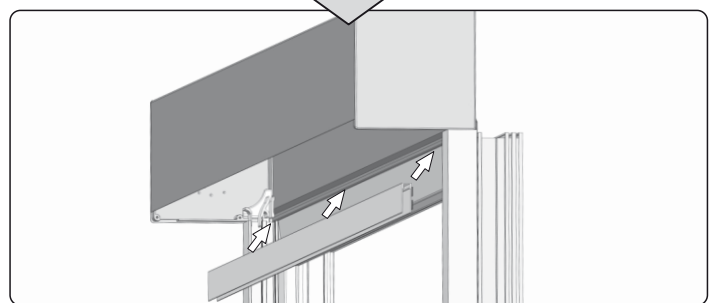
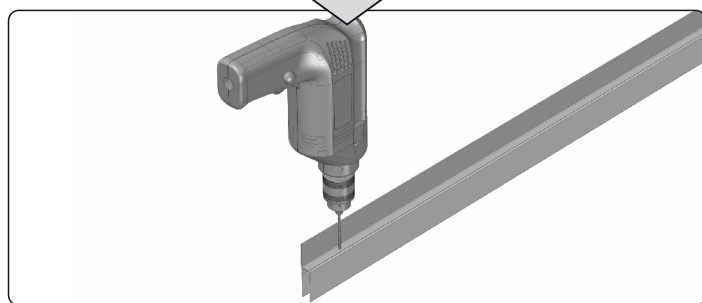
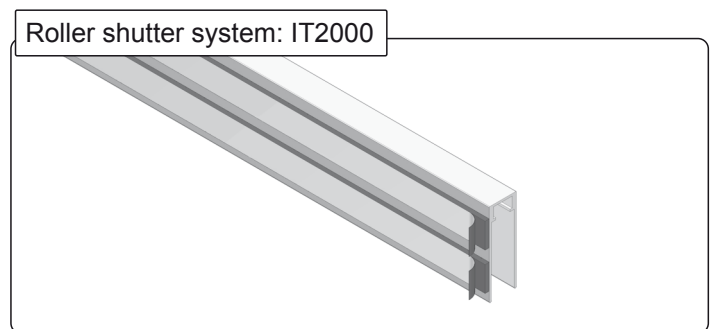
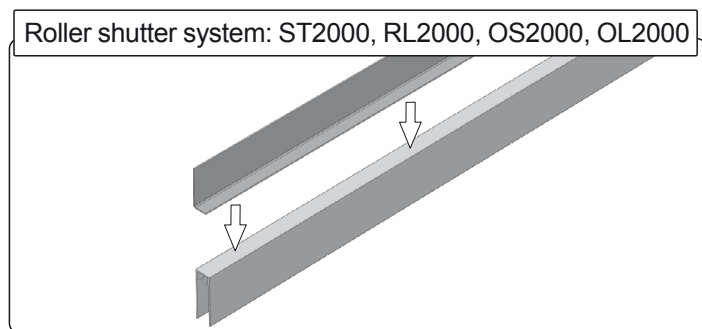
Directly prior to installation, the mosquito net shall be unpacked and checked for completeness of all parts necessary for its installation.

Tools necessary for the installation of the mosquito net:

- Drill-driver
- Drilling machine with a set of drill bits
- Allen wrench 4mm
- Pencil

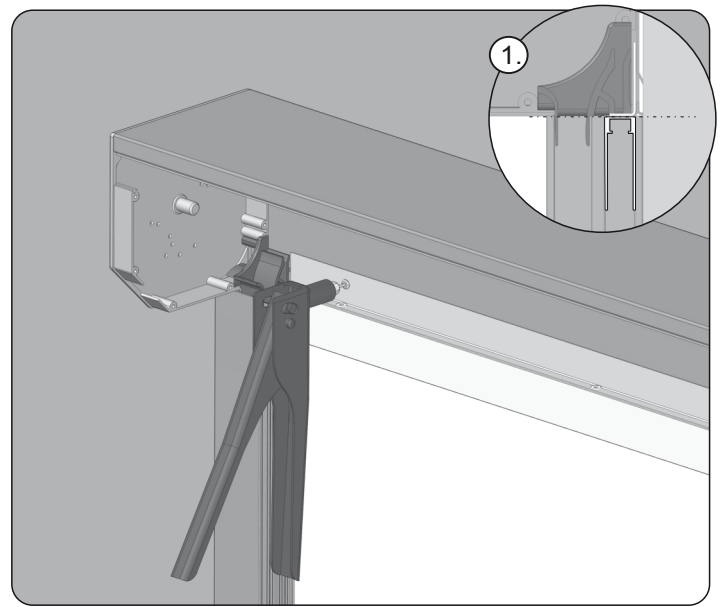
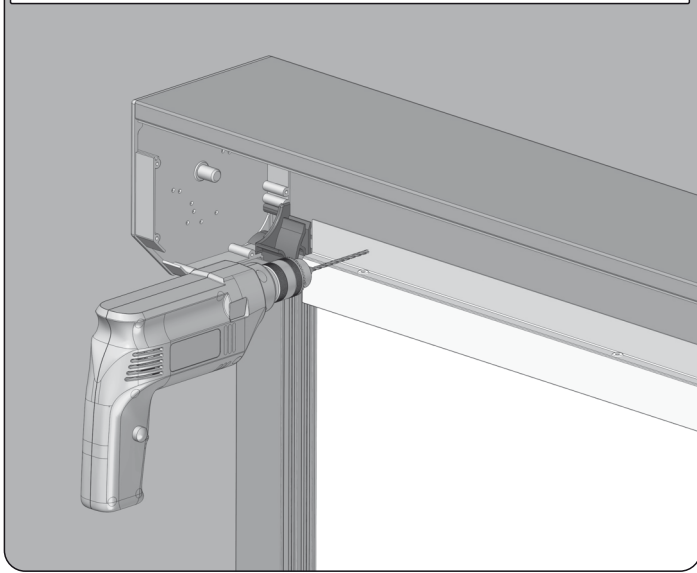


The kit supplied by PORTOS excludes any screws or screw anchors. At the stage of installation, particular attention shall be paid to the cords of the pleated mosquito net. The cords must be of equal length, must be arranged parallelly and must never be twisted together. This is crucial for correct mosquito net installation works.

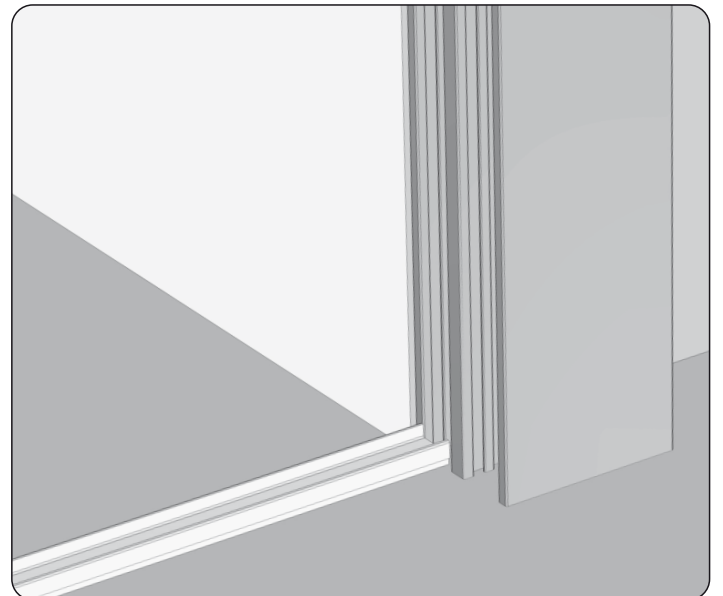
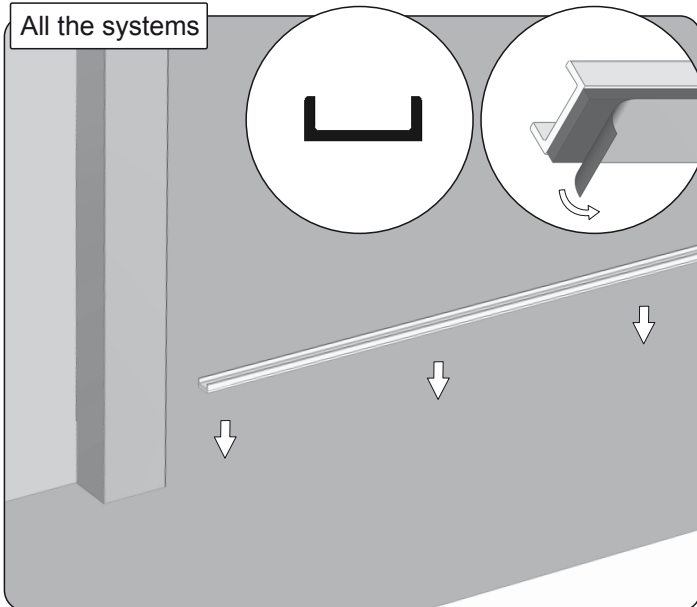


1. Using the 4.2 drill bit, drill the mounting holes in the mounting angle bracket and the upper rail of the mosquito net. The holes shall be drilled at every 50 cm and there shall be at least 3 holes in each profile. Next, fasten the mounting angle bracket to the rail using rivets.

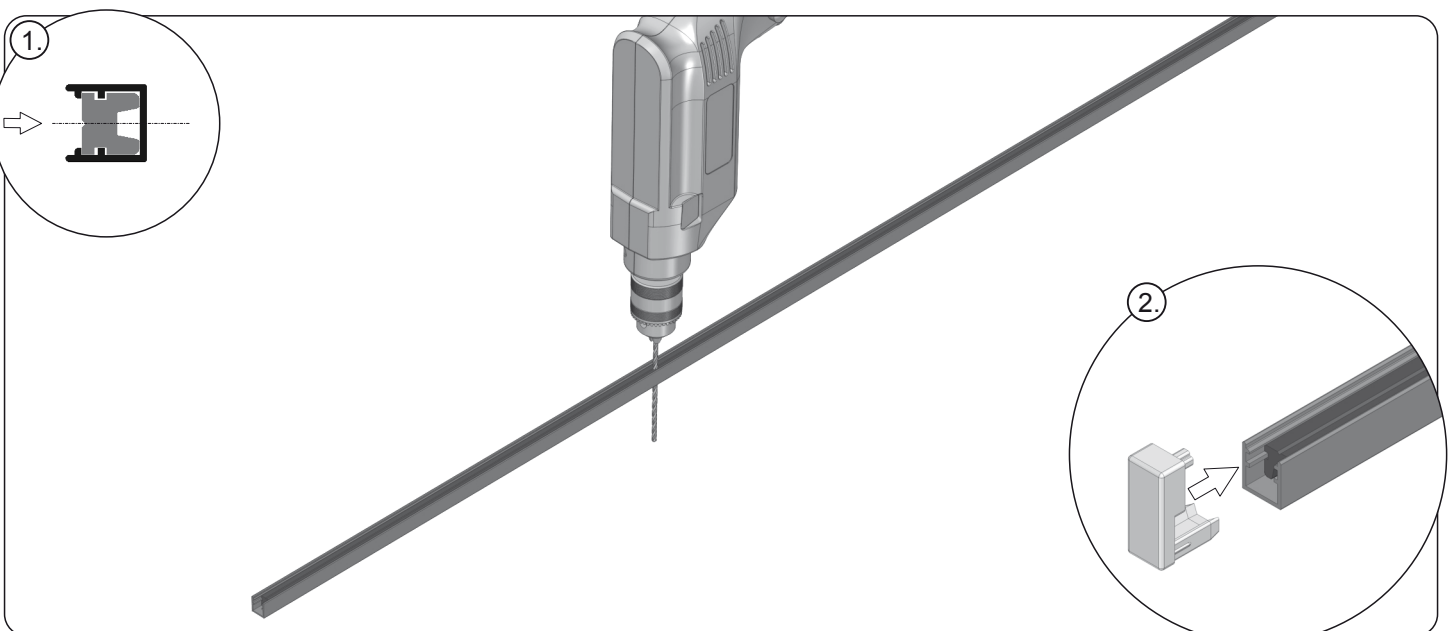
1a. Using the double-sided adhesive tape, fasten the upper rail of the mosquito net, from the internal side of the box, to the window frame so that its upper plane is aligned with the upper end of the mosquito net guide.



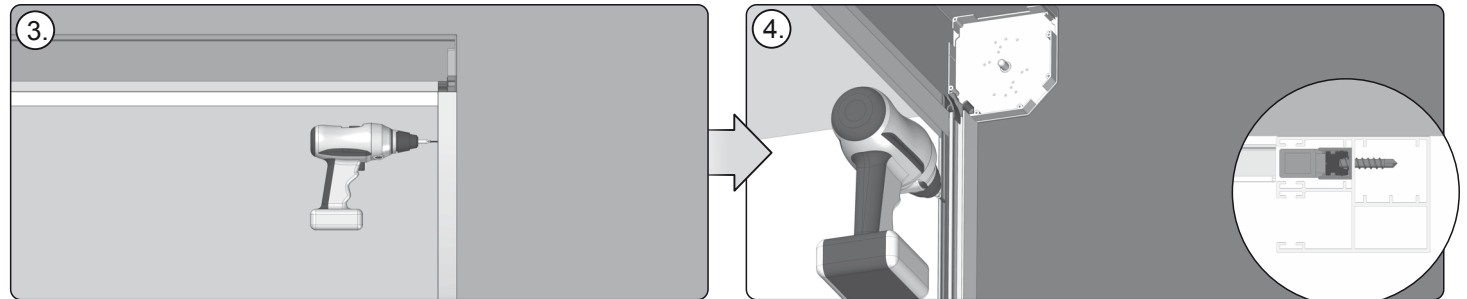
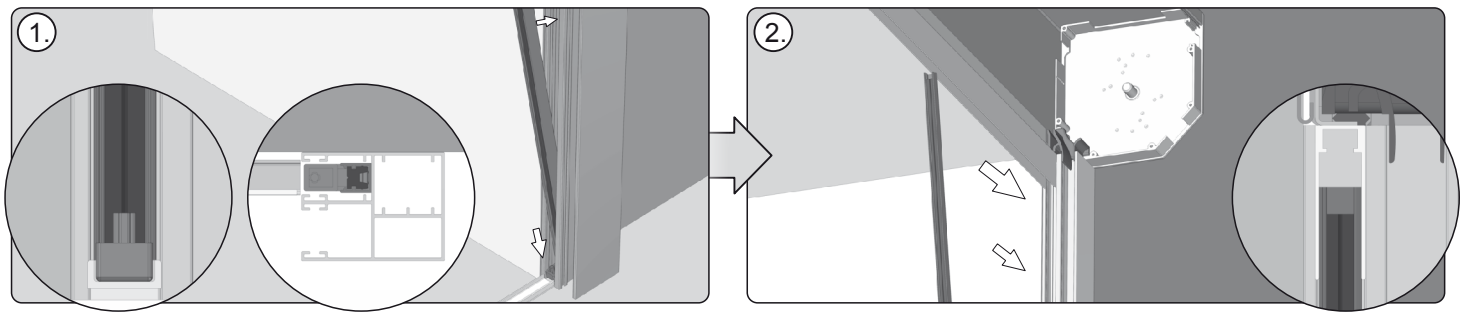
2. The so prepared upper rail of the mosquito net shall be fixed to the internal side of the roller shutter box. Make sure that the upper plane of the mosquito net rail is aligned with the upper end of the mosquito net guide (1). Using the 4.2 drill bit, drill the holes through the mounting angle bracket and the roller shutter box. The holes shall be drilled at every 50 cm and there shall be at least 3 holes in each profile.



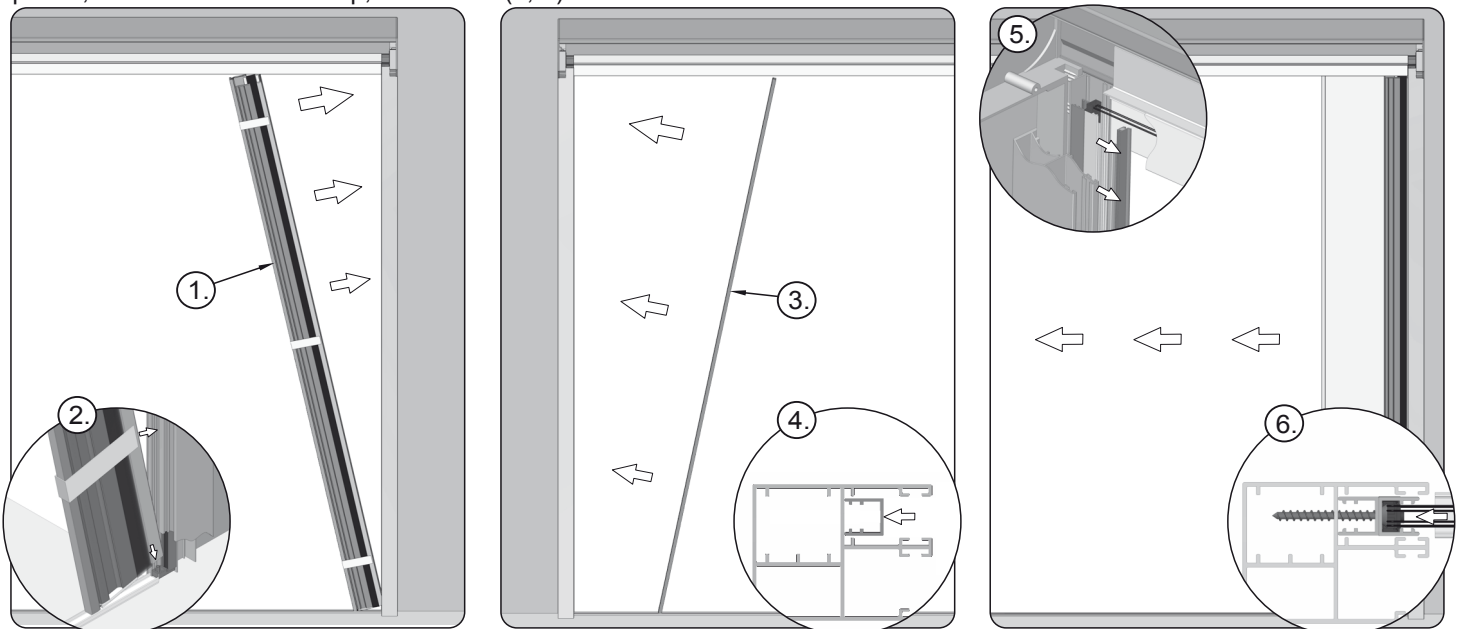
3. The bottom slat shall be attached to the surface underneath by using the adhesive tape at the slat bottom.



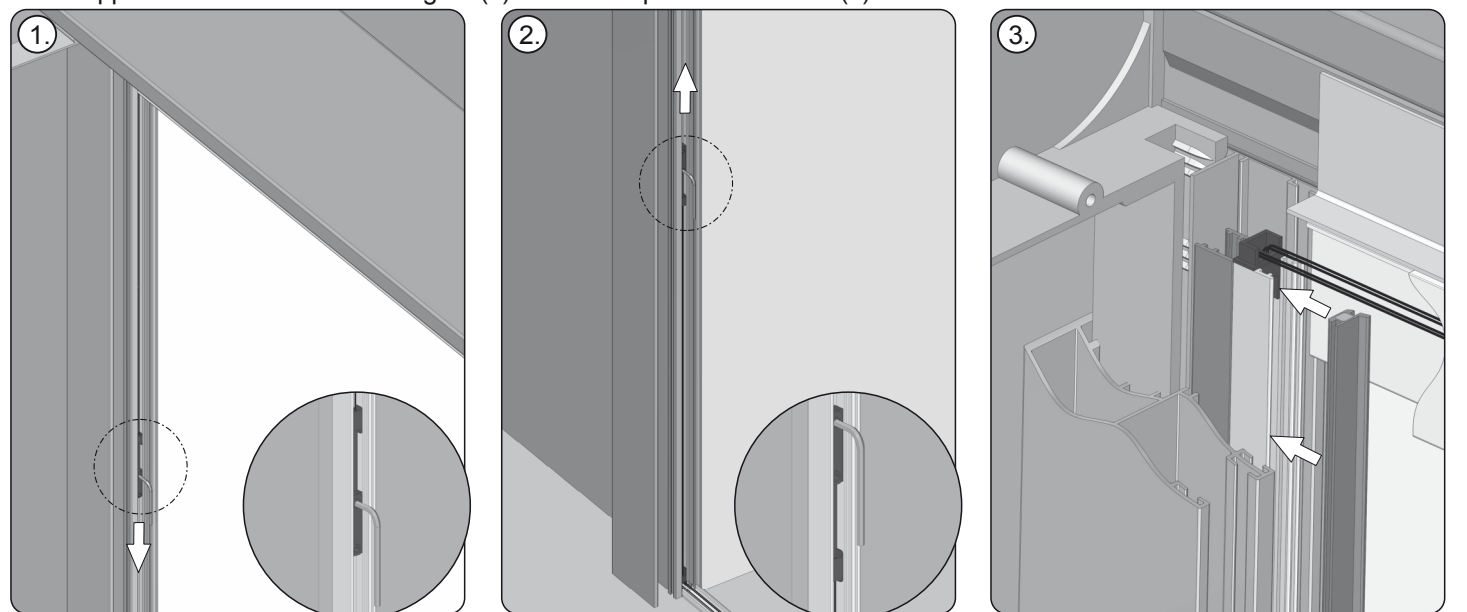
4. Drill the mounting holes in the lateral profile of the mosquito net through the profile and the magnet (1), using the 3.5 drill bit. The holes shall be drilled at every 50 cm and there shall be at least 3 holes in each profile. The bottom part of the profile shall be ended with the end cap (2).



5. First, insert the lateral profile ended with the end cap in the groove of the mosquito net guide (1), next slide the profile towards the guide and make sure that the upper part of the lateral profile gets fitted into the upper profile (2). Screw the lateral profile, ended with the end cap, to the wall (3, 4).



6. Start the installation of the mosquito net package (1) from inserting the bottom part of the profile into the protruding mandrel of the bottom end cap on the lateral profile (2). Insert the lateral profile (3) in the groove of the mosquito net guide (4). Holding the package, remove the protection (paper tape) before unfolding the mosquito net. Slide the end package profile in the direction to the opposite wall. Remove the magnet (5) and fix the profile to the wall (6).



7. Stretch the upper (1) and bottom (2) cords so that the mosquito net could work smoothly and the net did not skew during the operation of the mosquito net. Once proper tensioning is obtained, tighten the screw with the Allen wrench. Install the magnet in the profile (3).



**WARNING - FOLLOWING THESE INSTRUCTIONS
IS IMPORTANT FOR THE SAFETY OF PERSONS.
KEEP THESE INSTRUCTIONS**



PORTOS TR7

spółka z ograniczoną odpowiedzialnością

ul. Złota 71

62-800 Kalisz

tel 62 768 40 11

E-mail: sekretariat@portosrolety.pl

www.portosrolety.pl