



AN INSTALLATION MANUAL

PR6000[®]

PERGOLA OPERATION



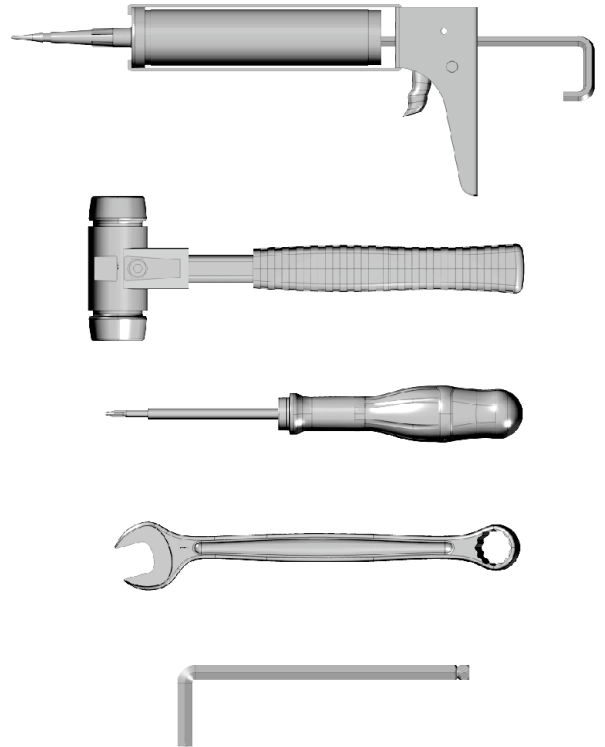
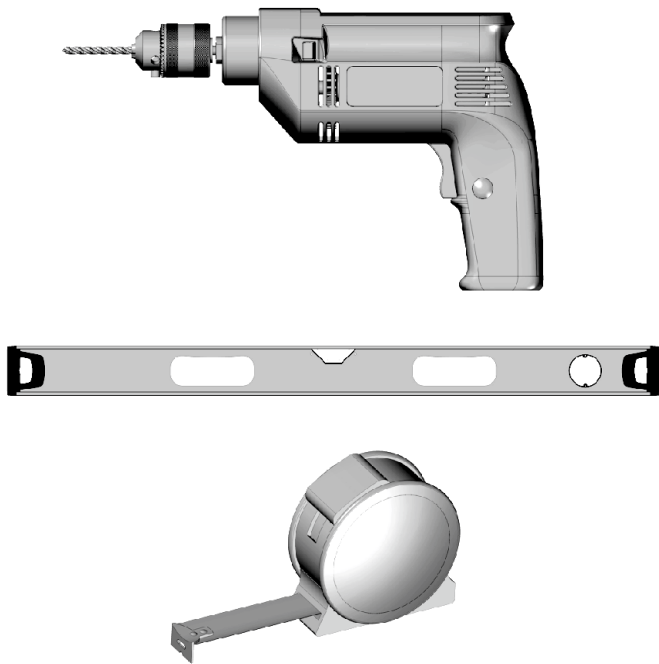
Prior to any installation works, read the following installation manual.
Any changes or modifications to the structure of pergola are permissible only after prior consultation with the manufacturer. Pergolas must always be installed on even surfaces.

Pergolas shall be installed only by competent personnel, properly trained in OHS rules and applicable construction laws. In case of electrically driven pergolas, installation is only permissible by a properly licensed electrician (holder of SEP license up to 1 kV).

Directly prior to installation, pergola shall be unpacked and checked for completeness of all parts necessary for its installation.

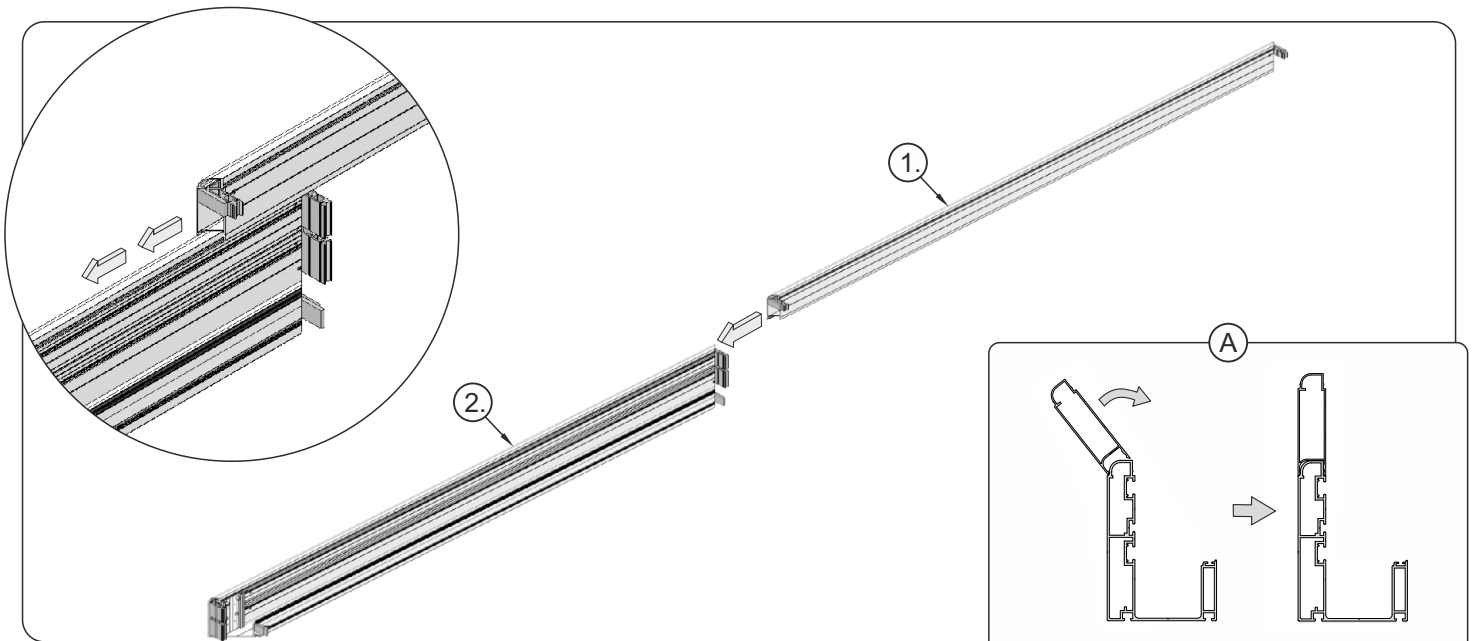
Tools necessary for pergola installation:

- Drilling machine with drill bits and hole saw
- Flat-head screwdriver, Phillips screwdriver
- Chemical anchor
- Hammer
- Allen wrenches, wrenches
- Self-locking measuring tape
- Builder's level

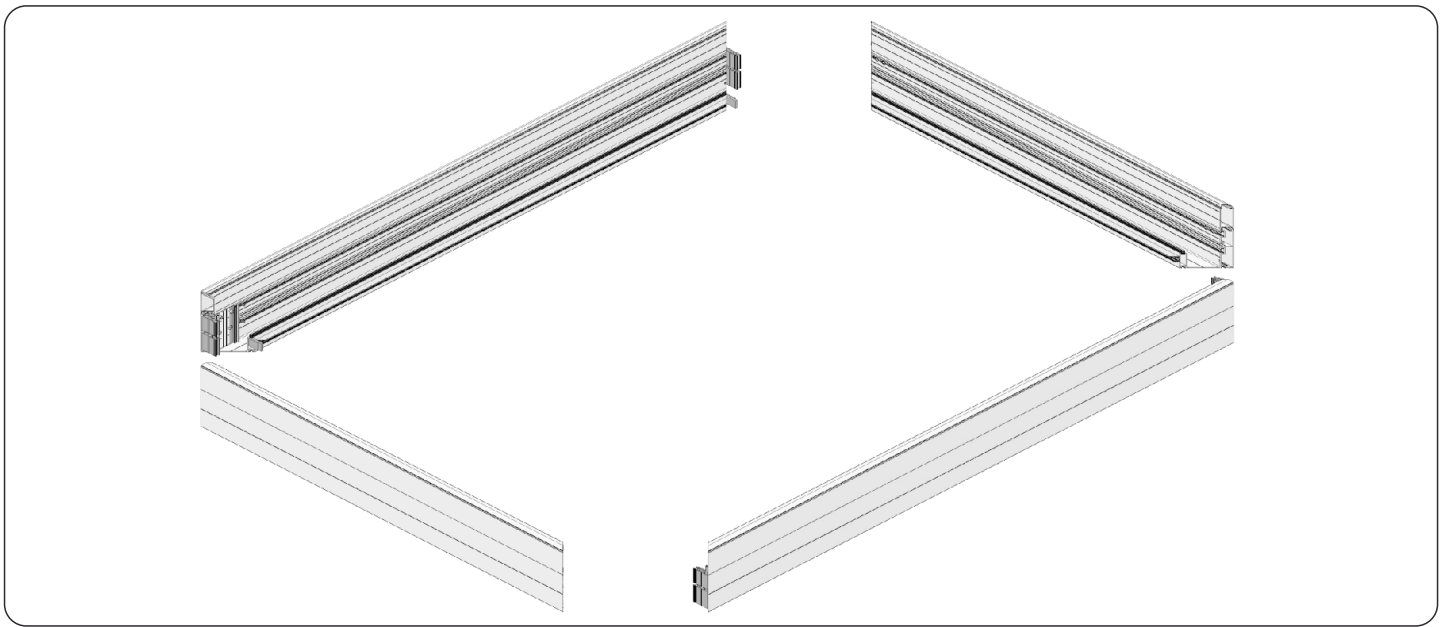


The kit supplied by PORTOS excludes any screws, expansion bolts, wires for the electrical wiring.

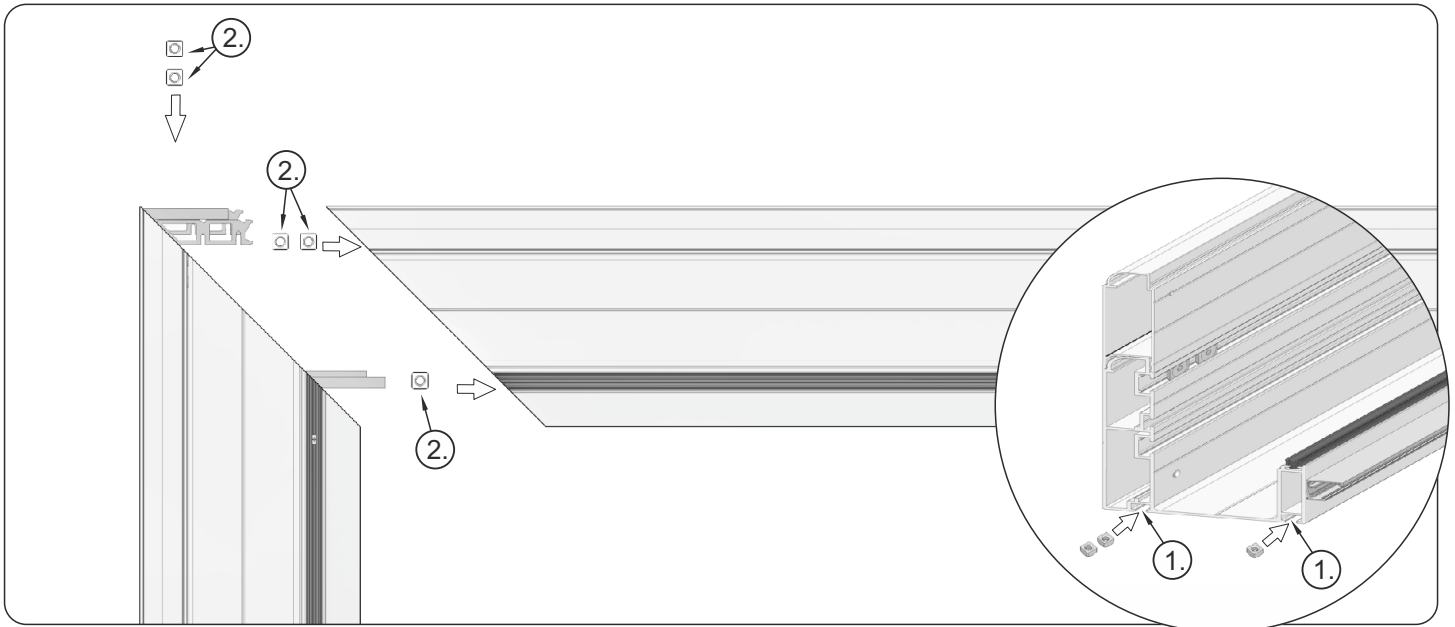
INSTALLATION OF GUTTERS



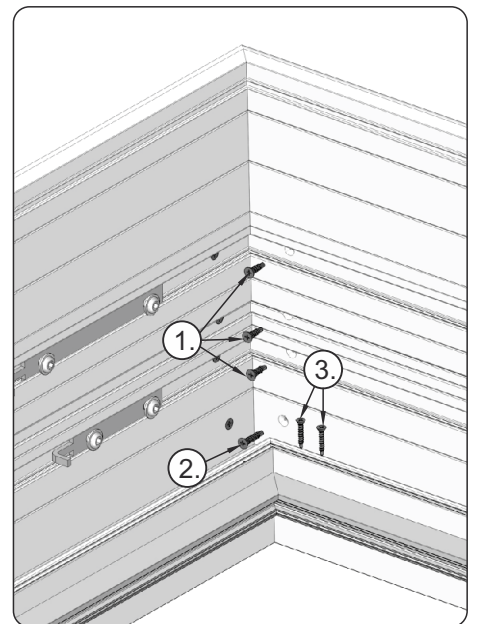
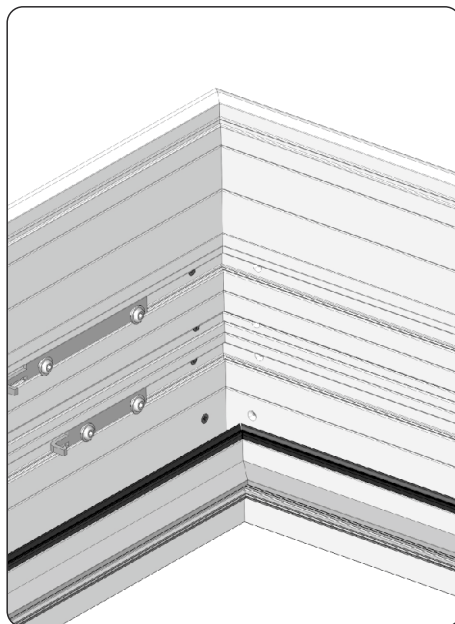
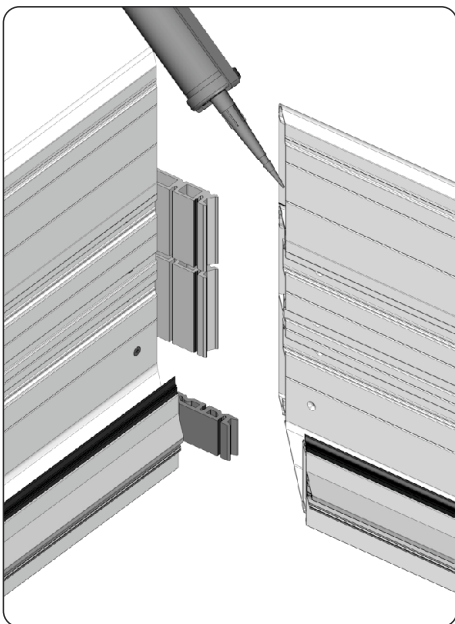
1. Slide height adjustment profile (1) PRP-020 onto gutters (2) PRP-010. Alternatively you can fit the height adjustment profile on the main gutter as shown in the drawing (A).



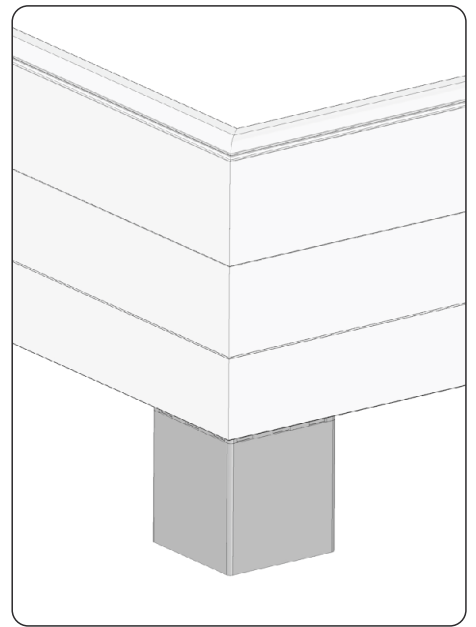
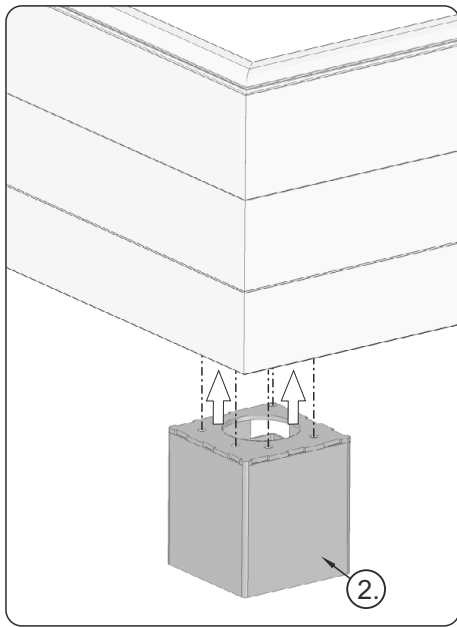
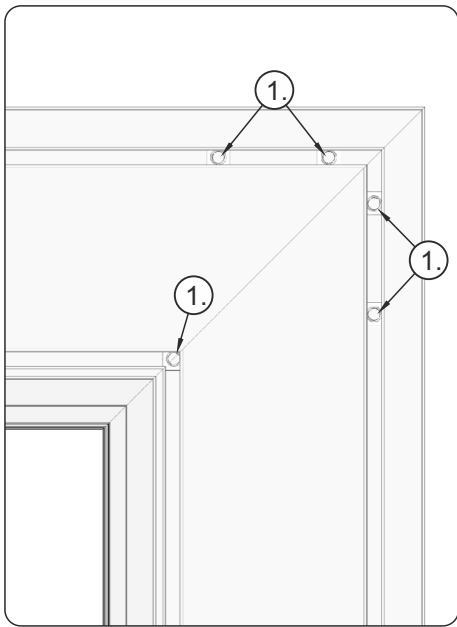
2. Position the fully fitted gutters perpendicularly with respect to one another.
NOTE! Gutters should be placed on even surfaces, the use of jack stands is recommended.



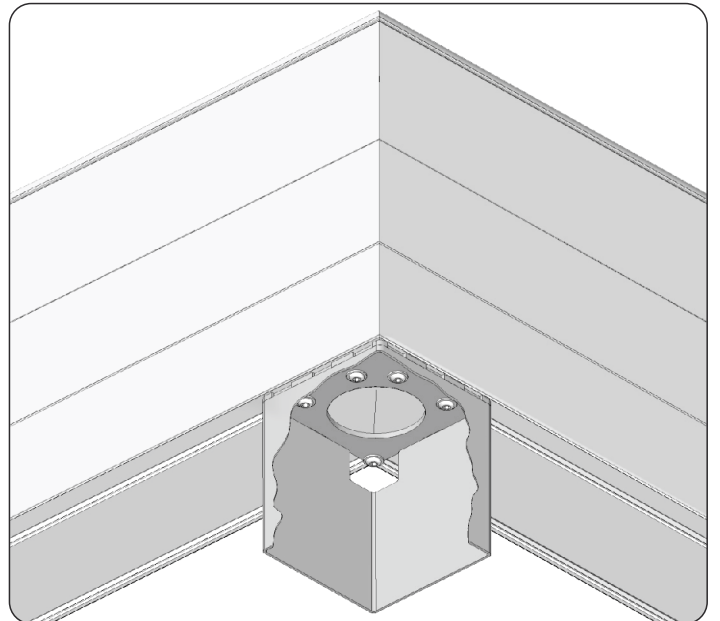
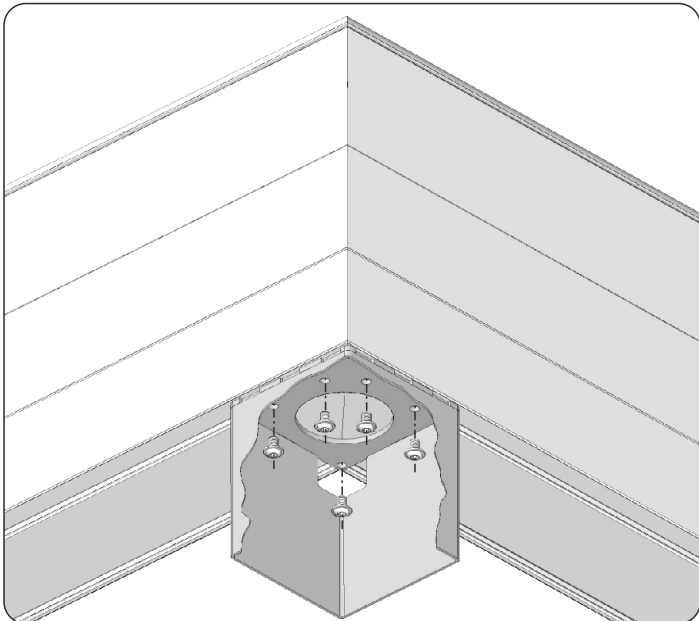
3. Before the corners are fully tightened by screws, the (2) M8 13x13x5 square nuts must be first inserted into the bottom gutter grooves (1) as shown in the drawing as they will fix the upper column bracket to the gutter. Insert 5 nuts in each corner in total.



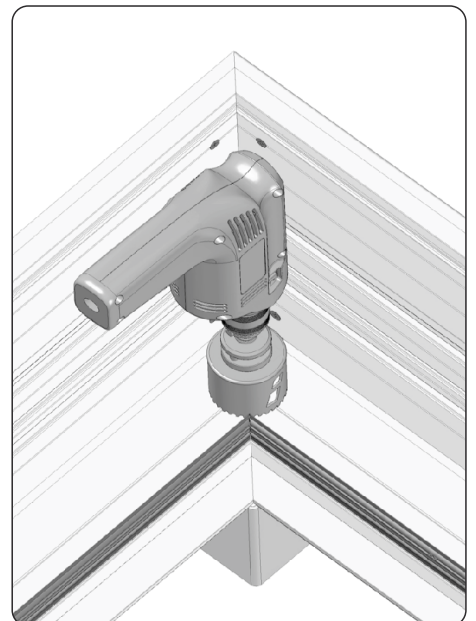
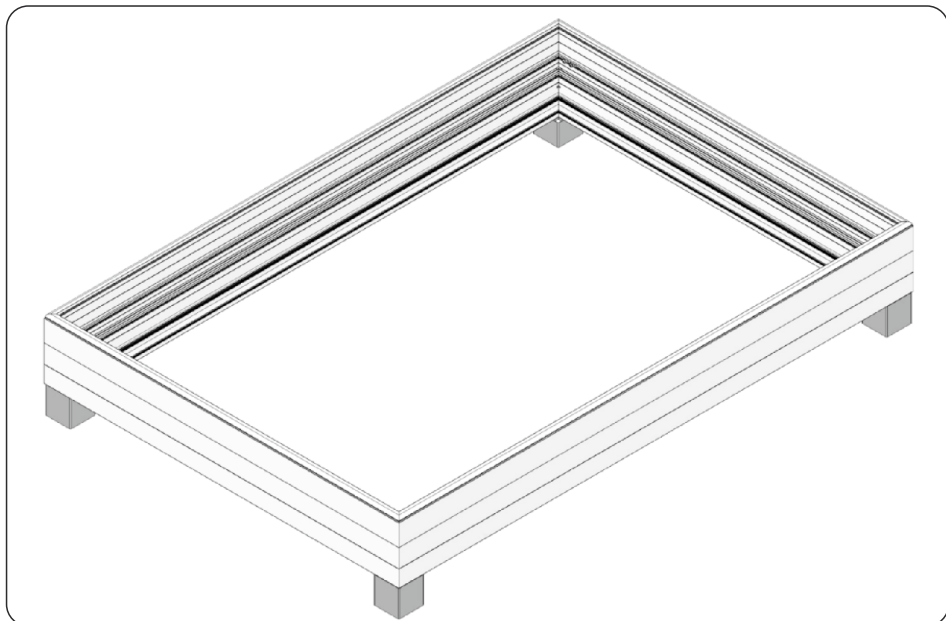
4. Degrease the corner brackets, next seal with silicone sealant. Connect the corners with appropriate screws and tighten them as shown in the drawing above: 1 - 4,8x19, 2 - 4,8x25, 3 - 3,9x16.



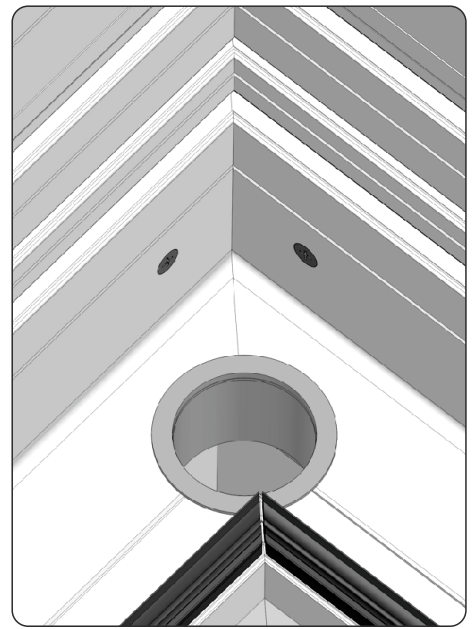
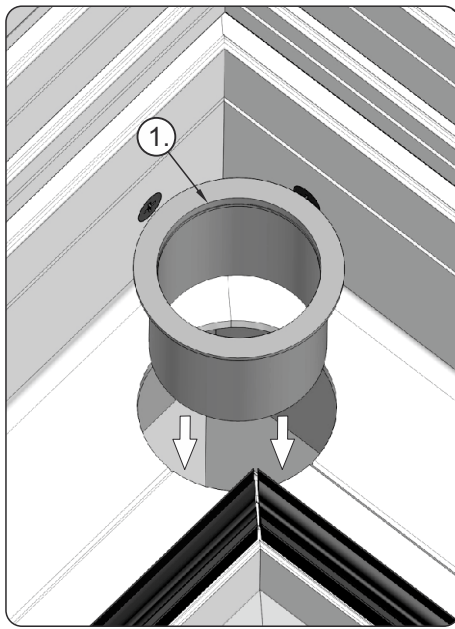
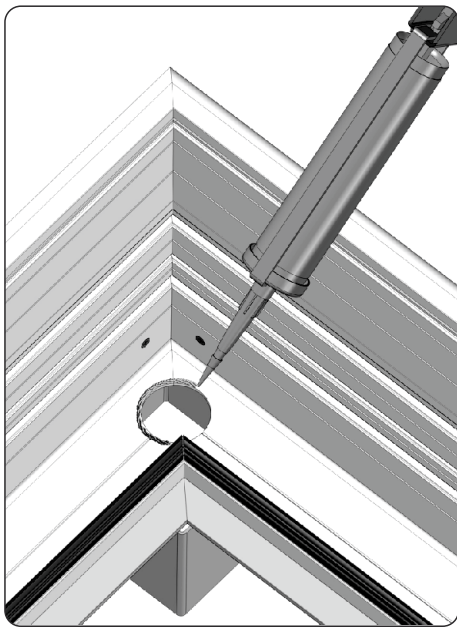
5. To fix the upper column brackets to the gutter, the earlier inserted square nuts (1) - 5 pieces per each column bracket (2) - shall be properly placed in the bottom grooves of the gutter so that the openings of the upper bracket matched the openings of the nuts.



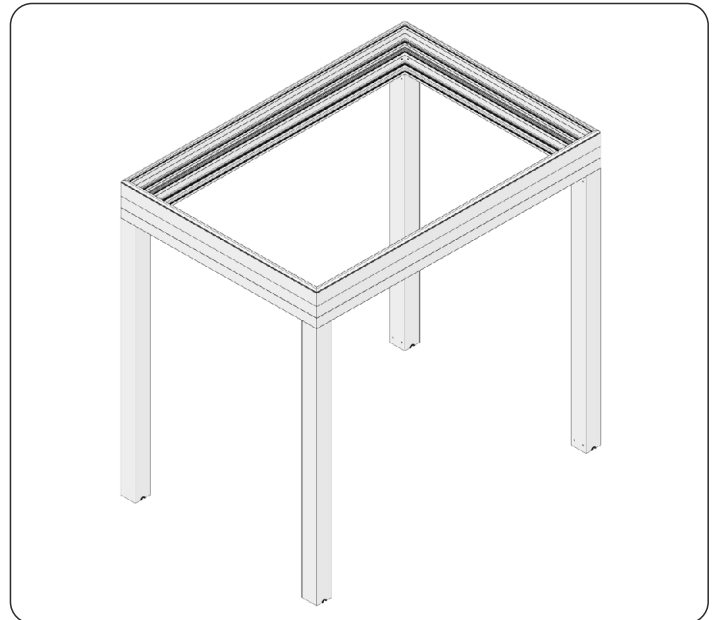
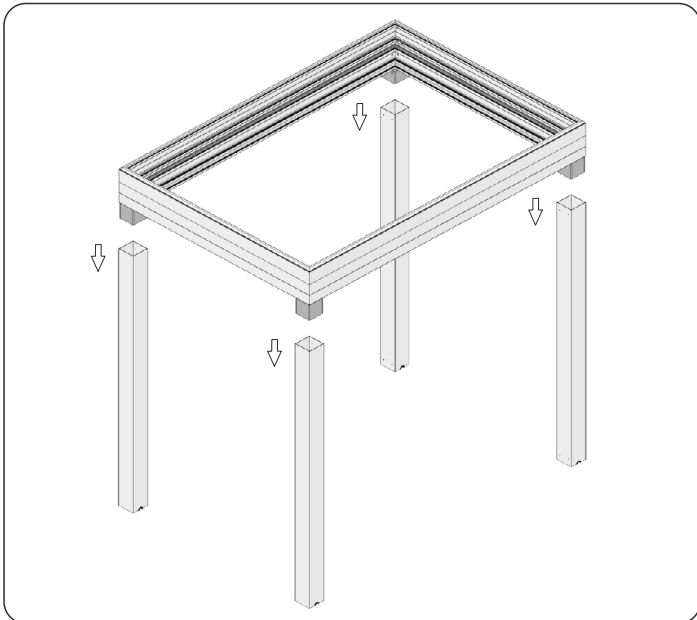
6. Next, connect column brackets to the gutter using M8x12 screws.



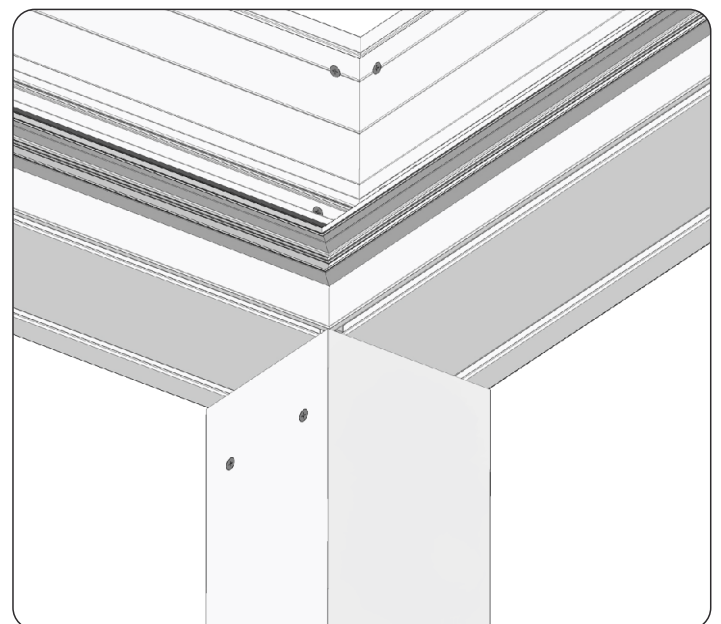
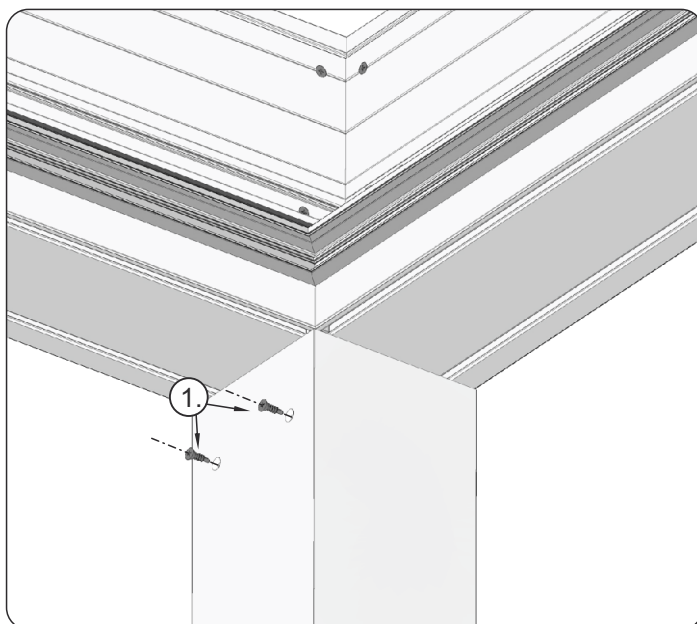
7. Proceed similarly with all four corner connections. Next, the drain openings shall be made. In the corner, using a hole saw suitable for aluminium Ø50, drill a hole intended for a water discharge sleeve.



8. Degrease the edges of the openings, next coat them with a layer of silicone sealant and insert PRD-050 water discharge sleeve (1) in the opening made.



9. PRP-040 load bearing columns shall be set in the upper column brackets (PRT-050).

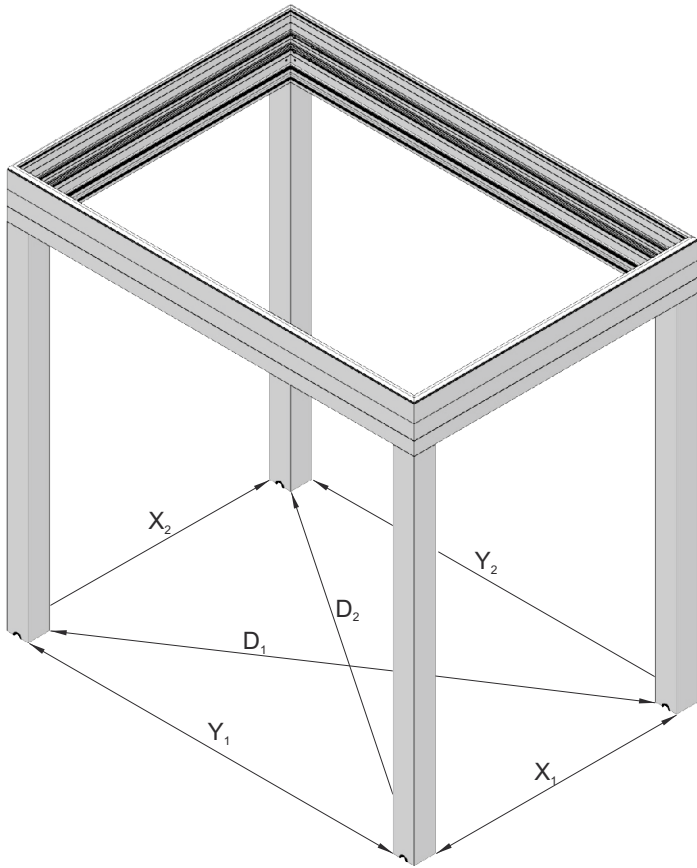


10. Fix the columns to the upper bracket (PRT-050) by screws inserted through the earlier made openings, using two screws 4,8x19 (1) per bracket.

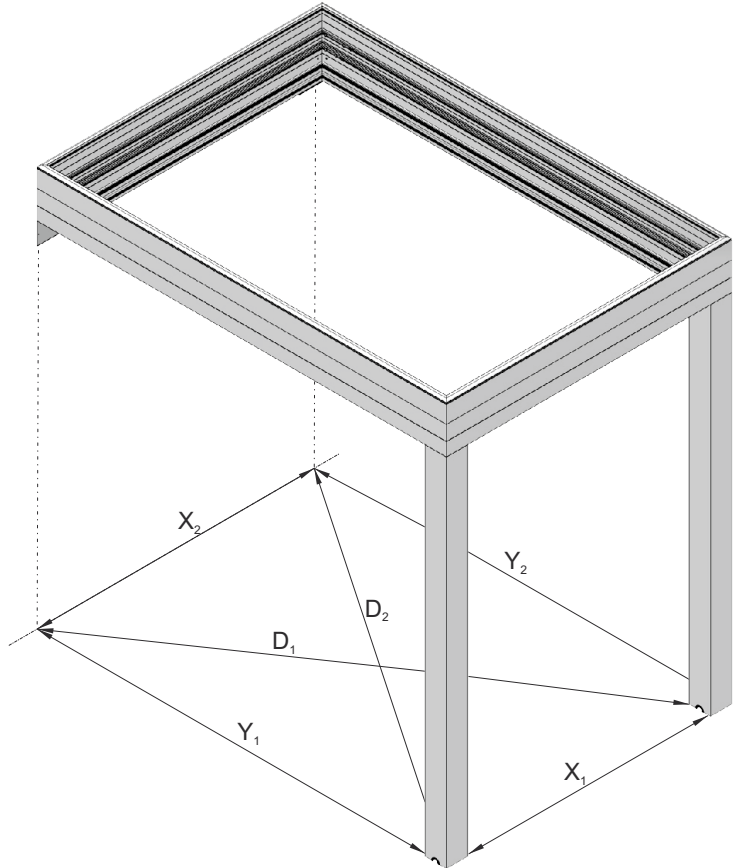
SURFACE PREPARATION FOR COLUMN ANCHORING

NOTE ! Pergola needs to be anchored in the subsoil of appropriate strength.
If the subsoil does not offer the right properties or if there are any doubts as to the quality of subsoil, concrete floor will be required to be made for the anchoring of pergola footings.

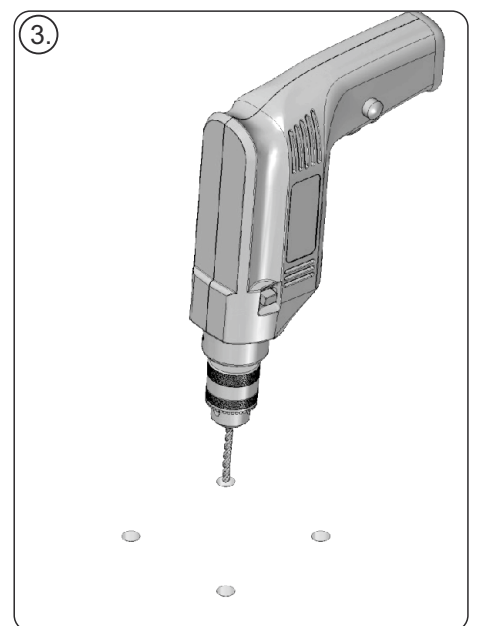
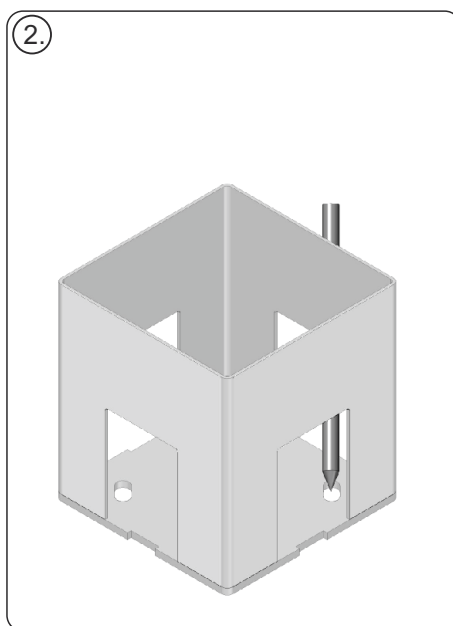
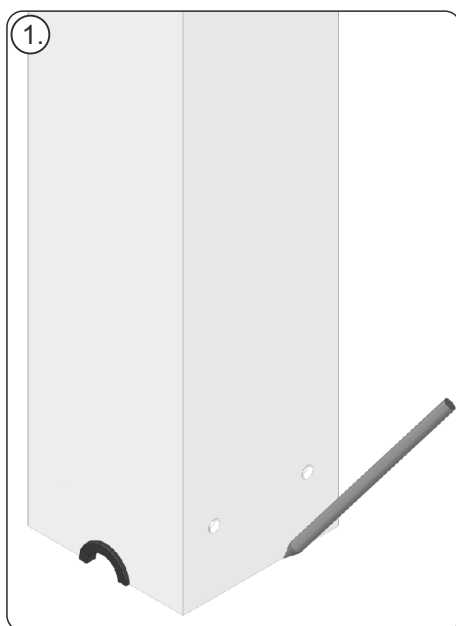
Standalone version



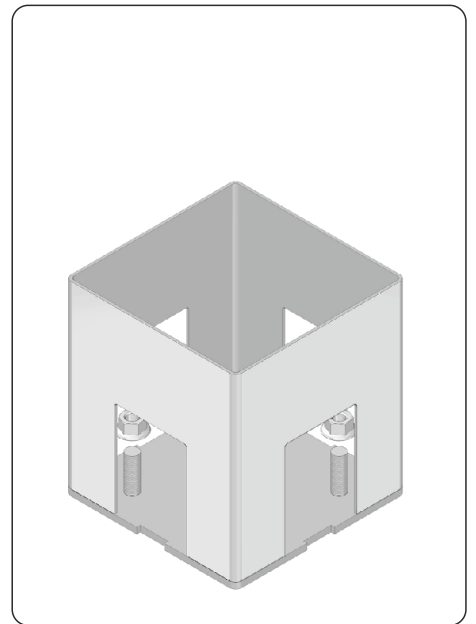
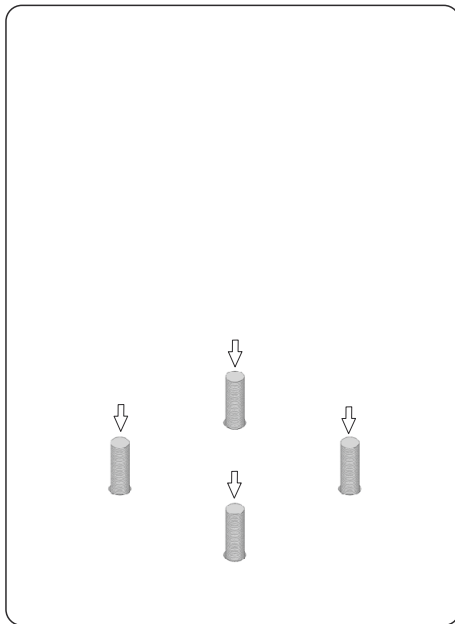
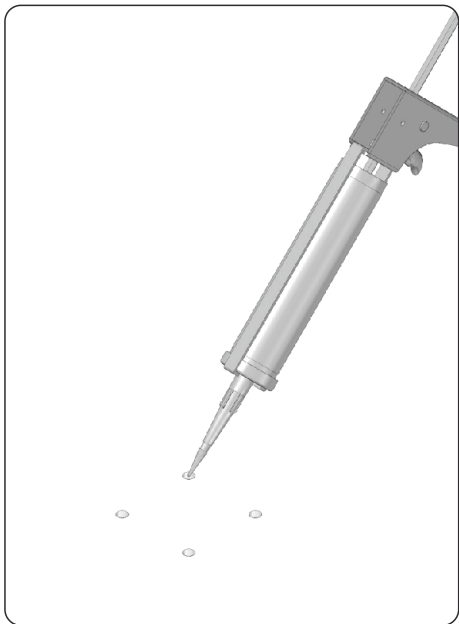
Wall mounted version



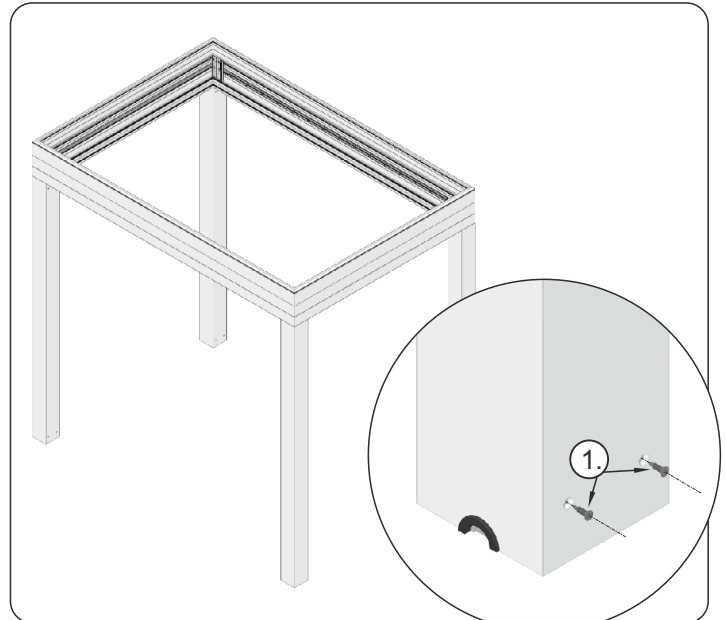
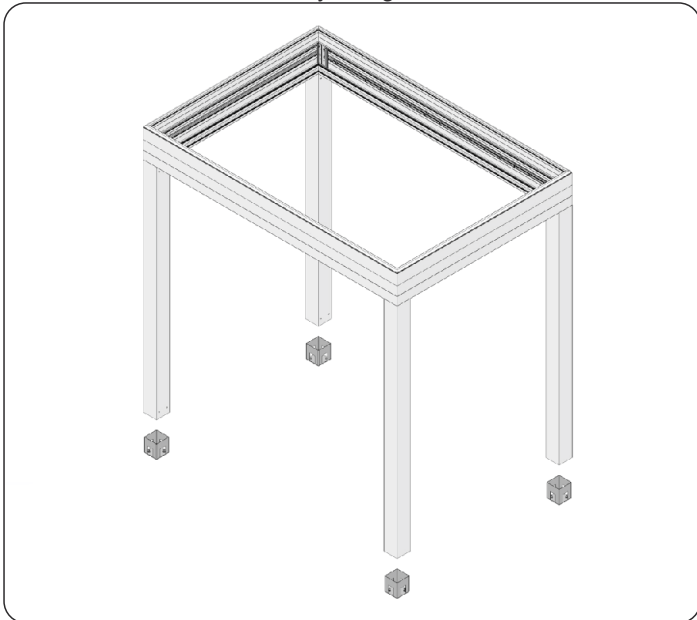
11. Width X and X as well as length Y and Y of the pergola shall be measured at the bottom, so shall be the diagonals D and D. The deviation between X and X, Y and Y and D and D shall not exceed 5 mm.



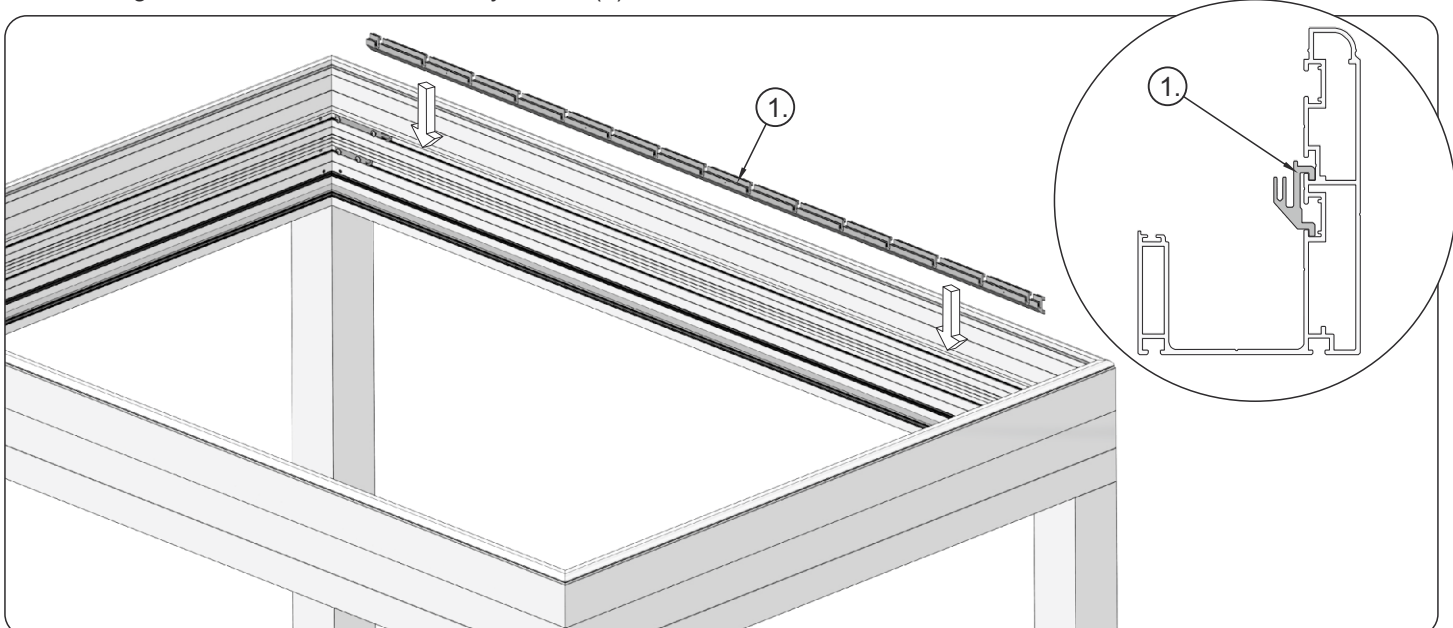
12. On the subsoil surface (1) mark the column positions. Position the bottom column bracket in the marked place and next, mark relevant locations for the openings to fix the anchoring screws (2). Drill relevant openings in the marked places (3), clean the openings from dust before fixing the bottom column bracket.



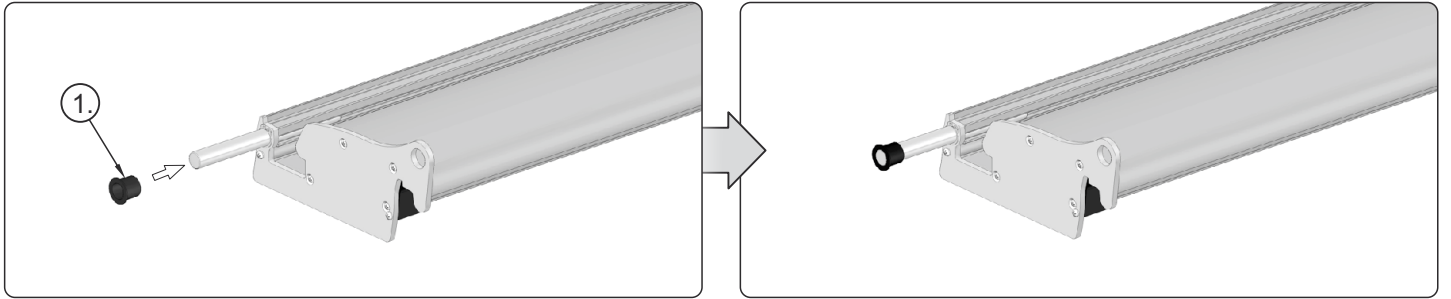
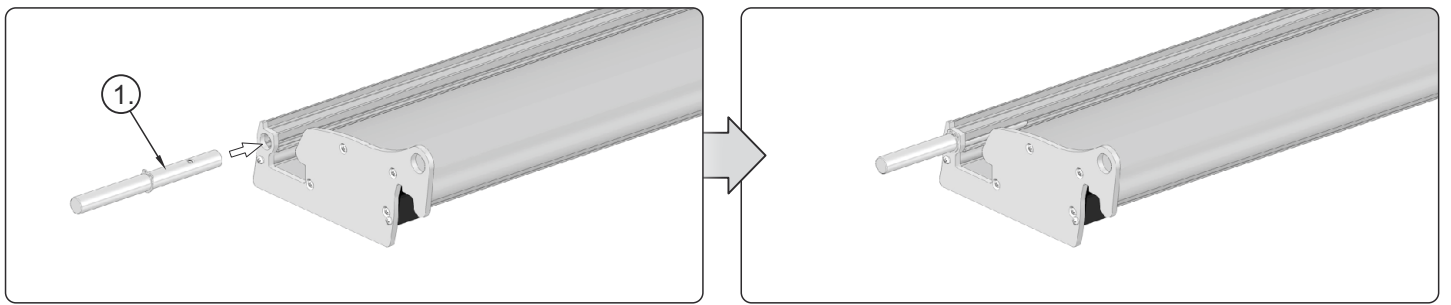
13. Insert the chemical anchor into the prior made openings. Insert the M10 threaded rods in the openings with a chemical anchor and wait for 15 minutes at the minimum. Fit the bottom column bracket onto the threaded rods. Once the anchor sets, connect the bottom column bracket by using nuts and M10 washers.



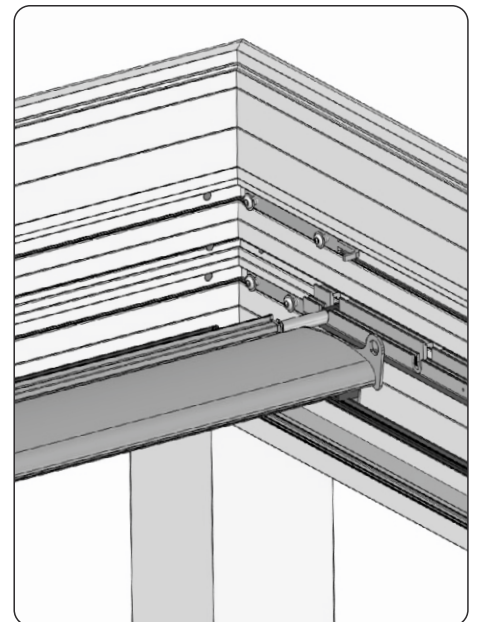
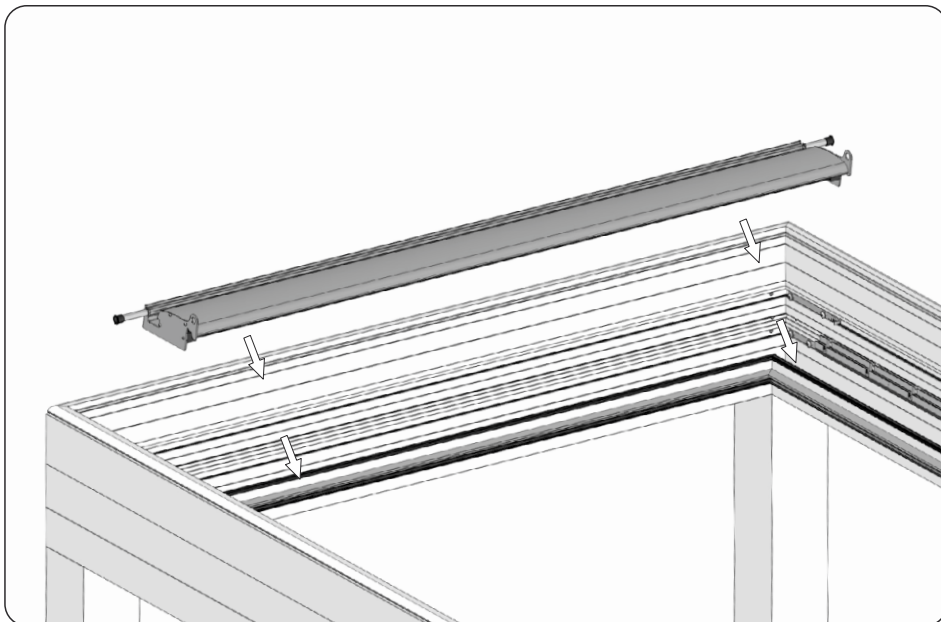
14. The so-fixed frame of the pergola with the columns shall be placed on the bottom column brackets fixed to the subsoil, next, load bearing columns shall be connected by 4,8x19 (1) screws to the bottom column brackets.



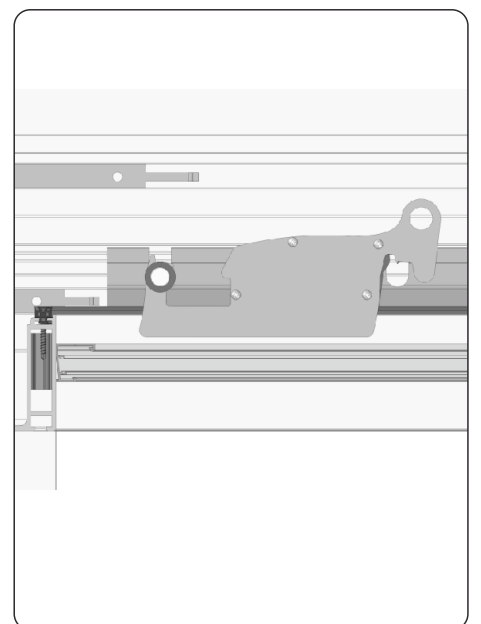
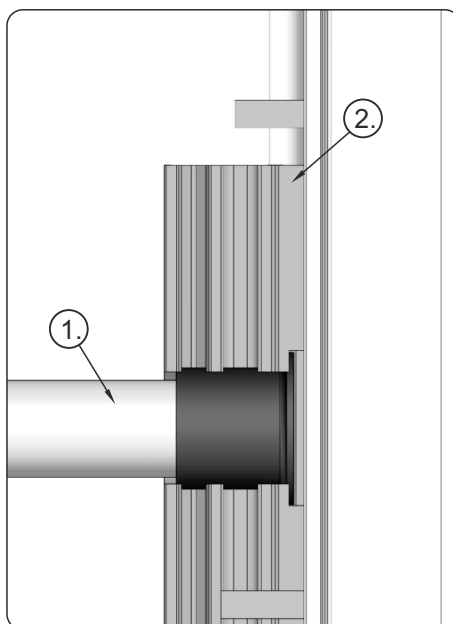
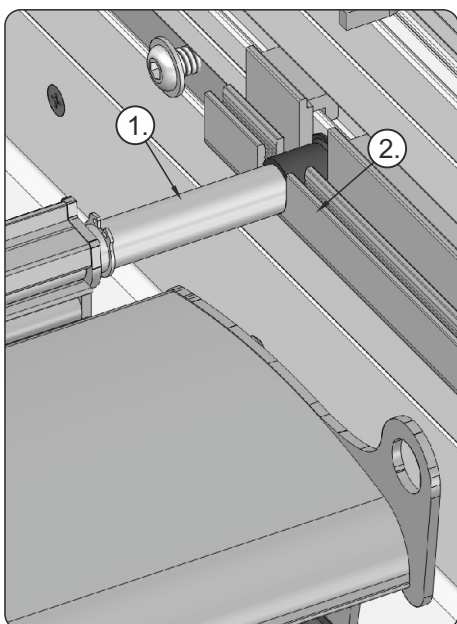
15. The slat fixing profile PRP-110 (1) shall be fitted into the bottom splint of the bottom gutter profile (PRP-010) as shown in the drawing above.



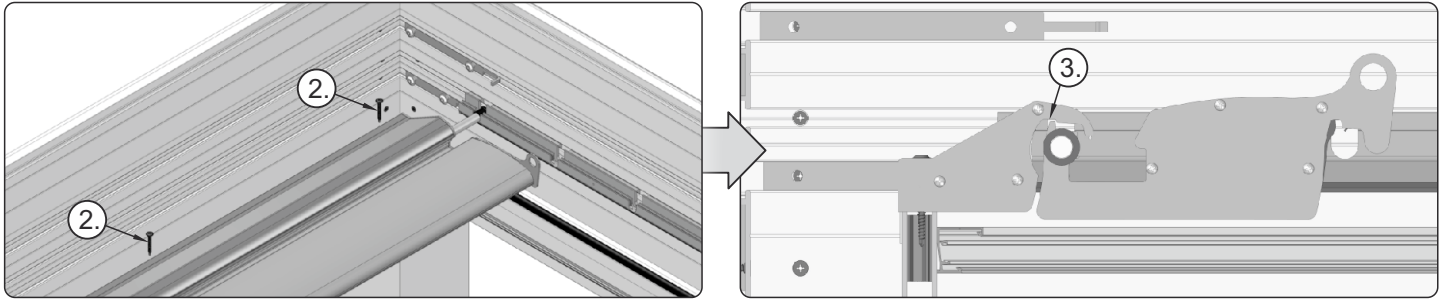
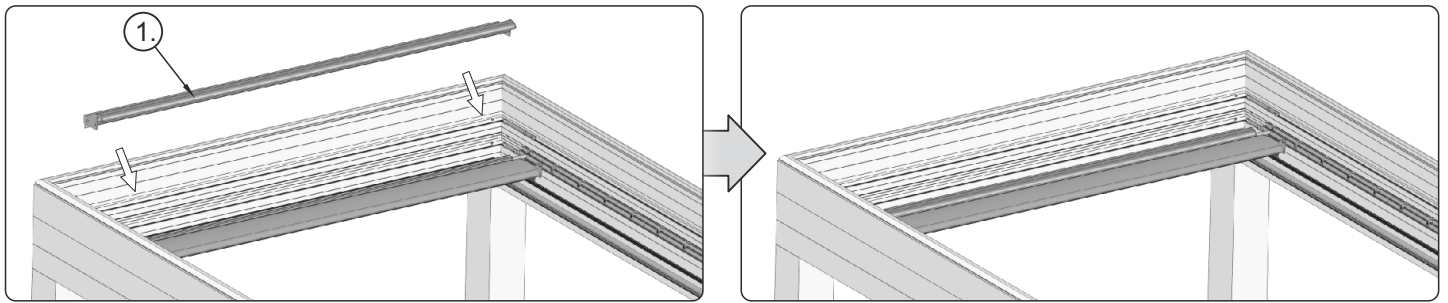
16. Fit the slat with mandrels and bottom sliding sleeves. For that purpose, insert the mandrel (1) into the rear opening of each slat, next fit the slat mandrel into the sliding sleeve (2).



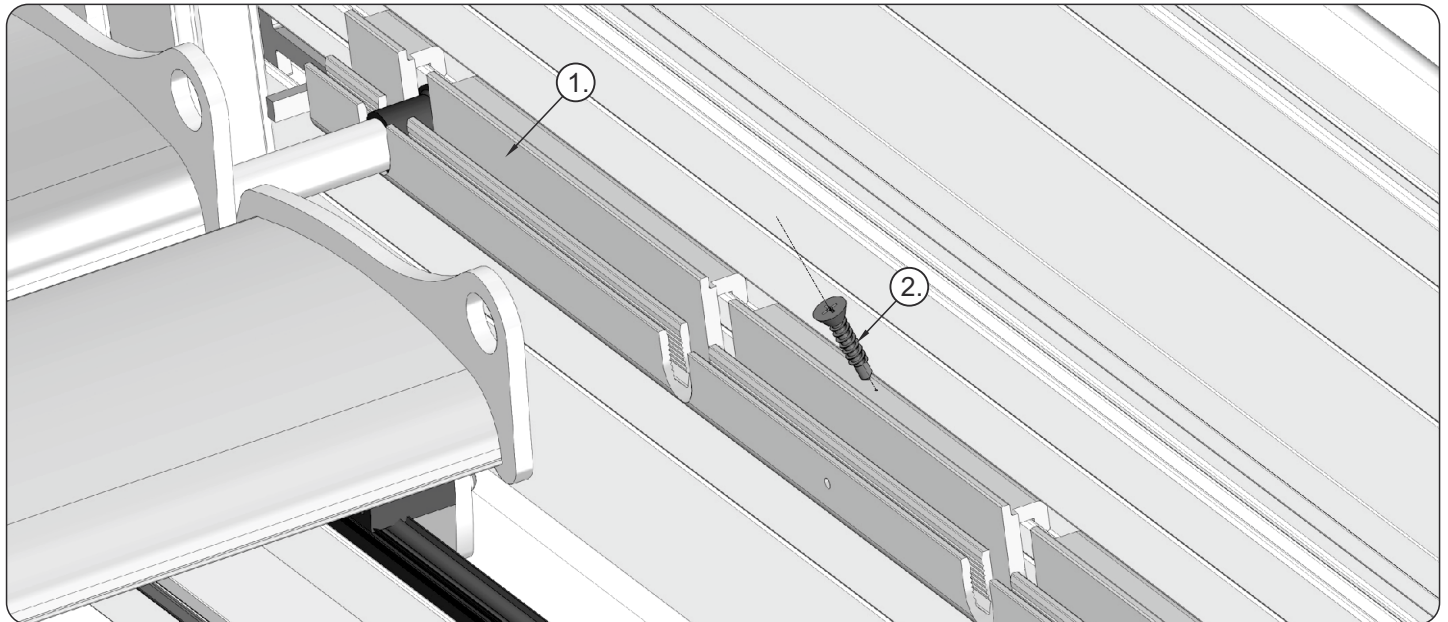
17. Next, the so-fitted slats shall be placed in the gutter.



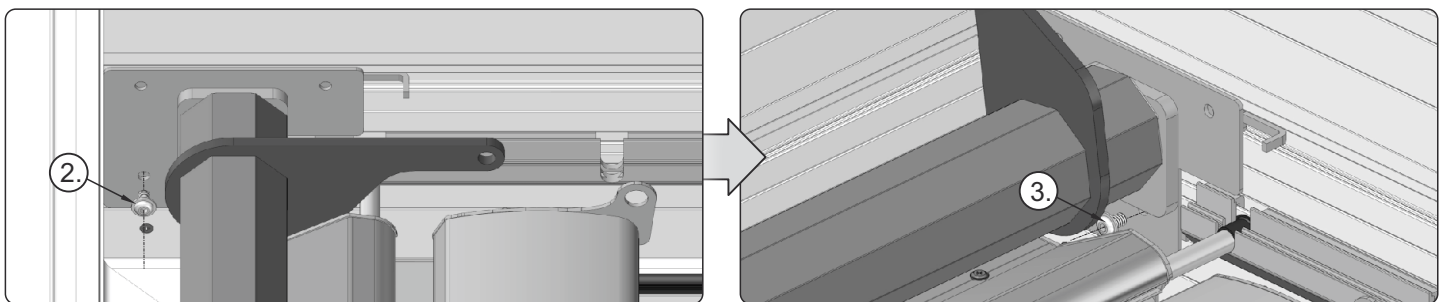
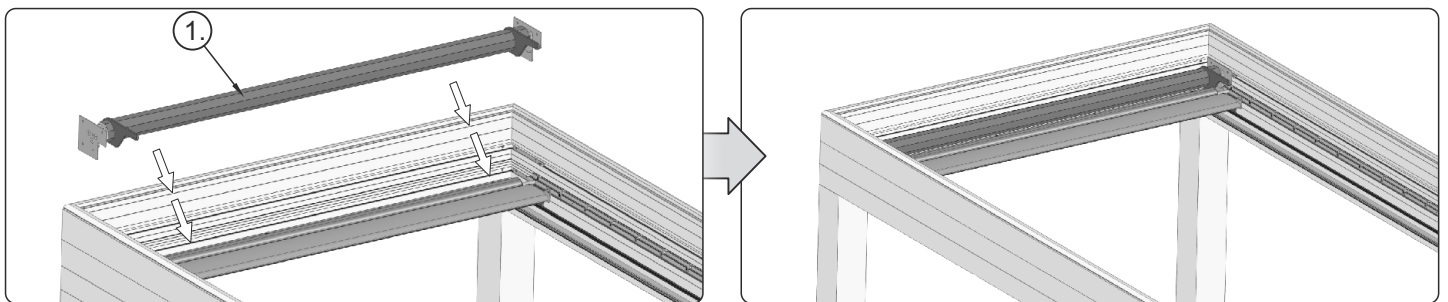
18. The slat shall be so positioned that its mandrel and the sleeve (1) could be fitted into the slat fixing profile PRP-110 (2).



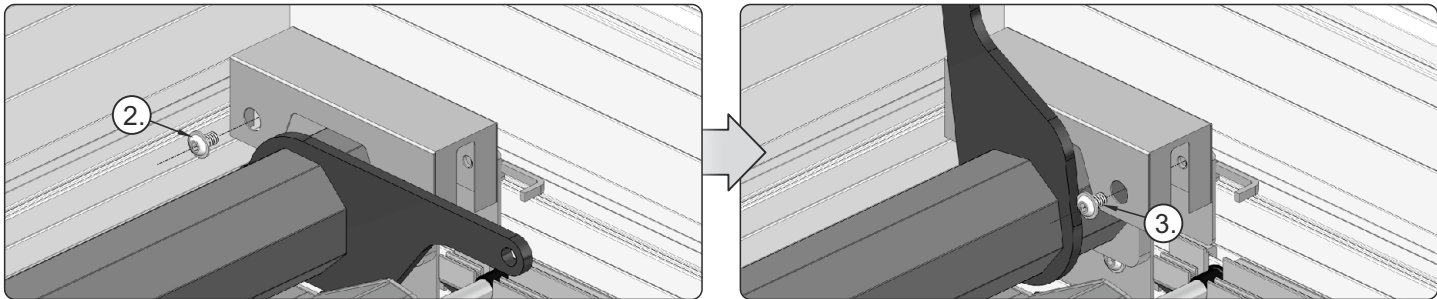
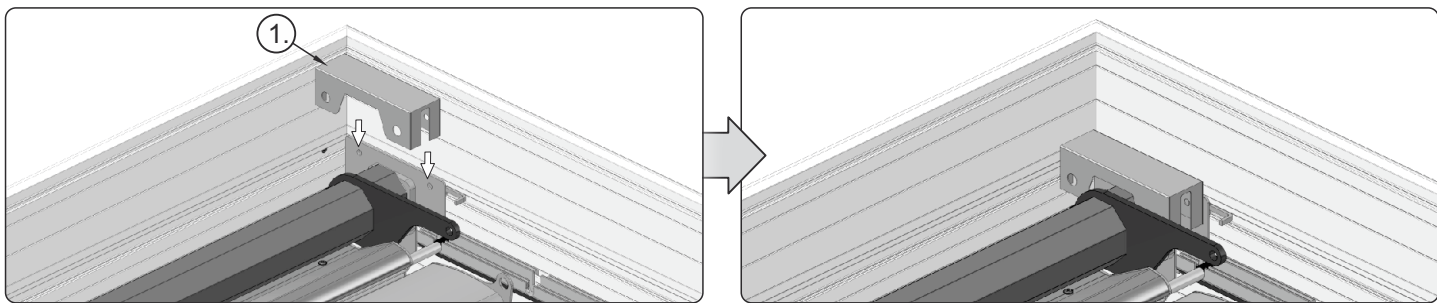
19. Using screws (2), fix the first fixed (non-rotating) slat (1) to the gutter so that its end reached the next angled (rotating) slat. You need to so position the slat that the first angled (rotating) slat could open at a 90 degree angle as shown in the drawing above (3).



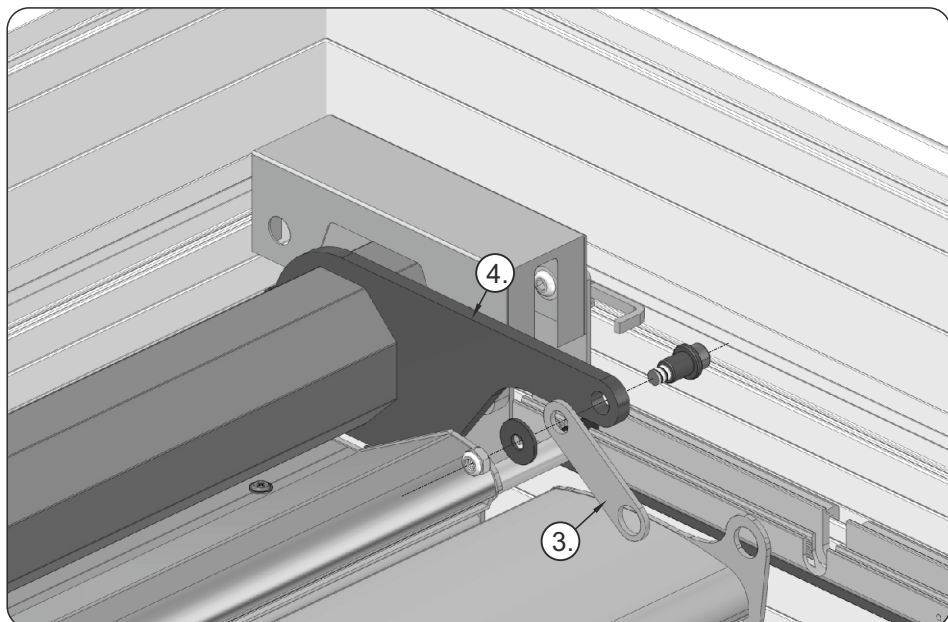
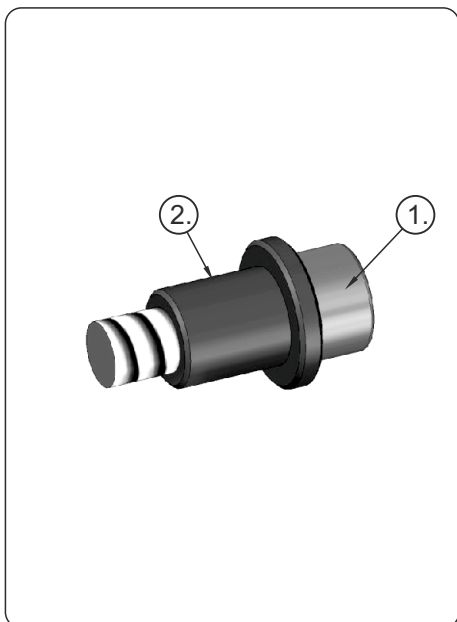
20. Fix the slat fixing profiles (1) to the gutter using the self-drilling screw 4,8 x 25 (2) as shown in the drawing above.



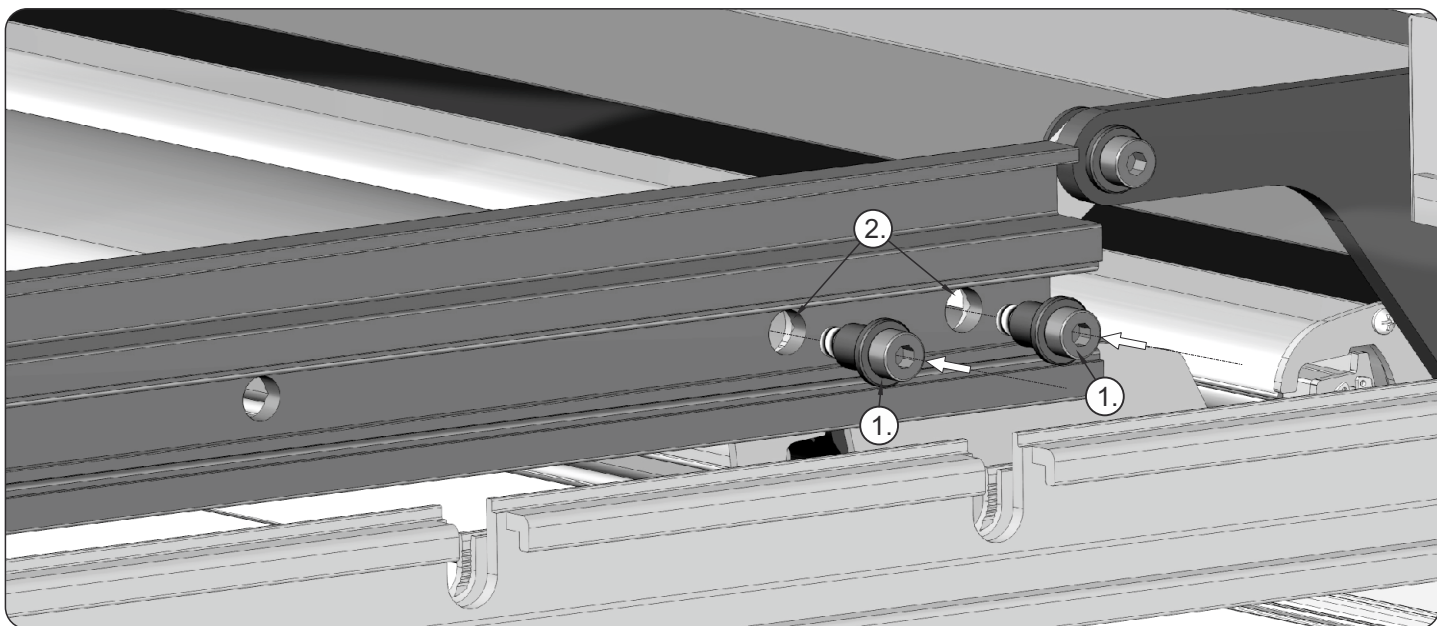
21. The octagonal tube fitted with the motor and side plates (1) shall be inserted into the frame. Fix the side plates using M8x12 screws to the long nuts in the frame. Start from the bottom part of the plate (2, 3).



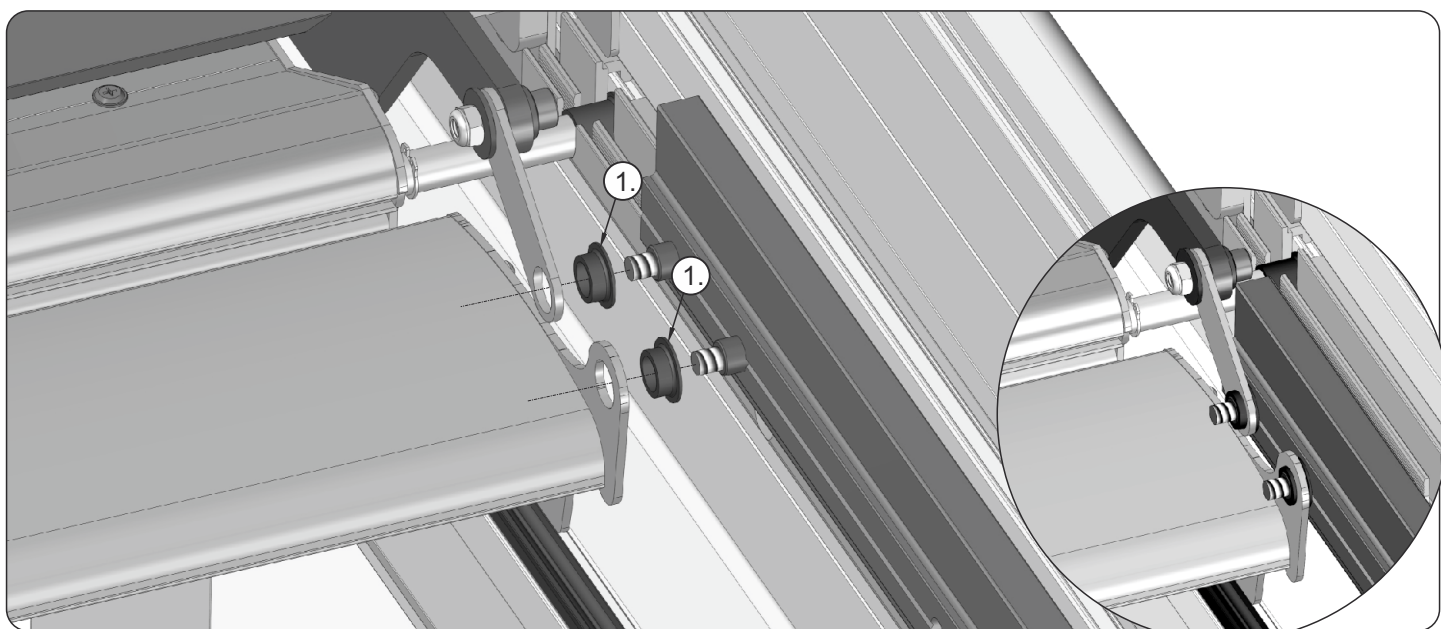
22. Insert casing (1) into the upper part of the plate and next fix it by M8x12 (2, 3) screws.



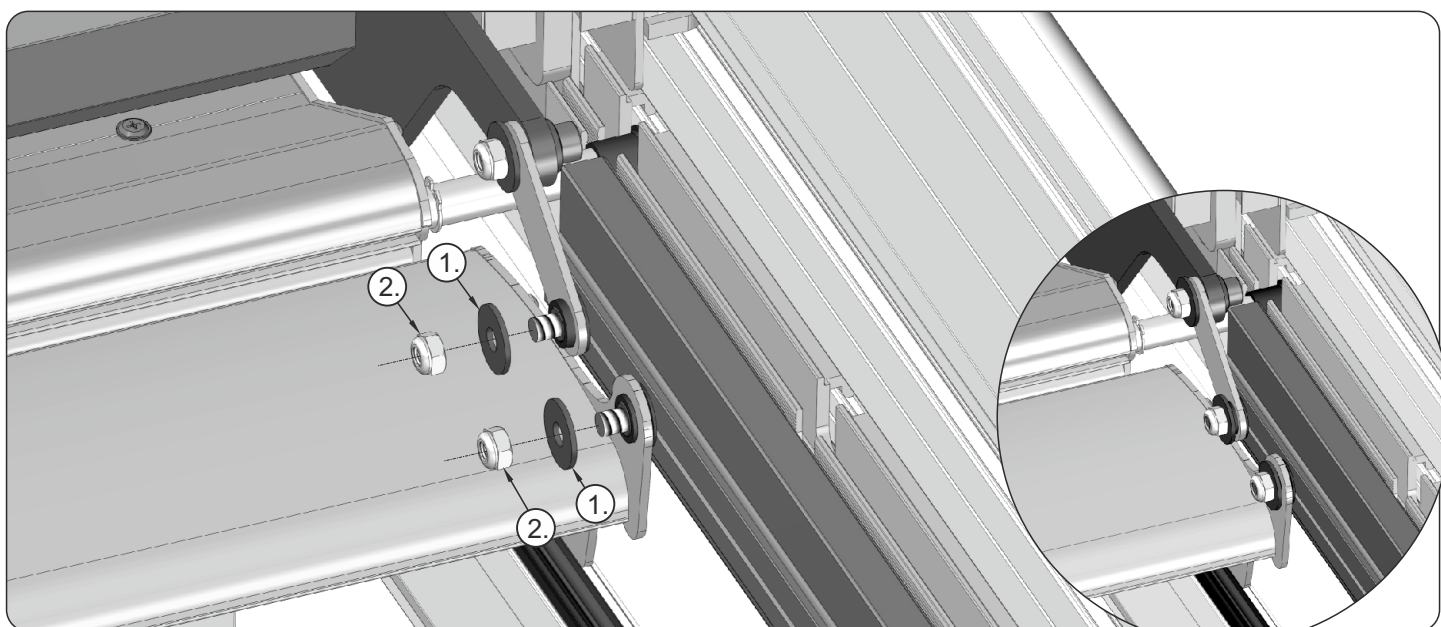
23. Tighten the M8x25 (1) hex socket head screw in the upper mounting bracket (sleeve) PRT-170 (2). Fix the slat motor bracket (3) to the slat motor holder (4) using a metal sleeve with a screw and the M8 washer and nut.



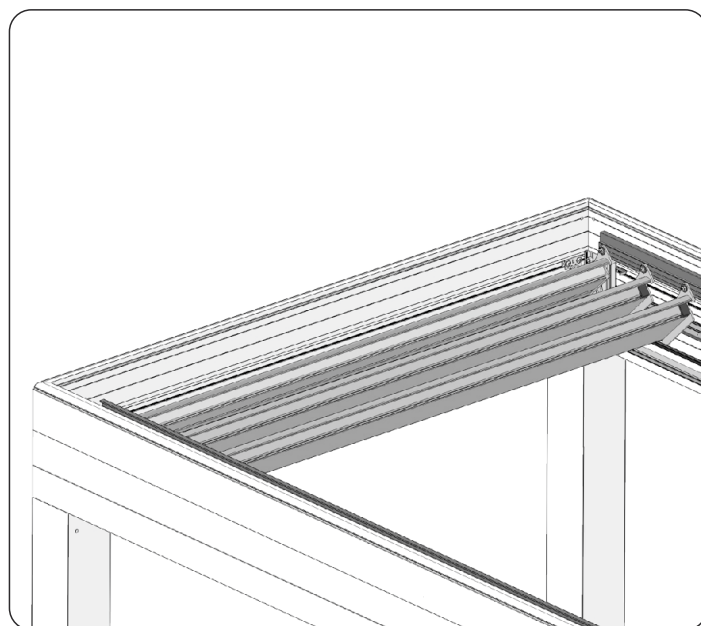
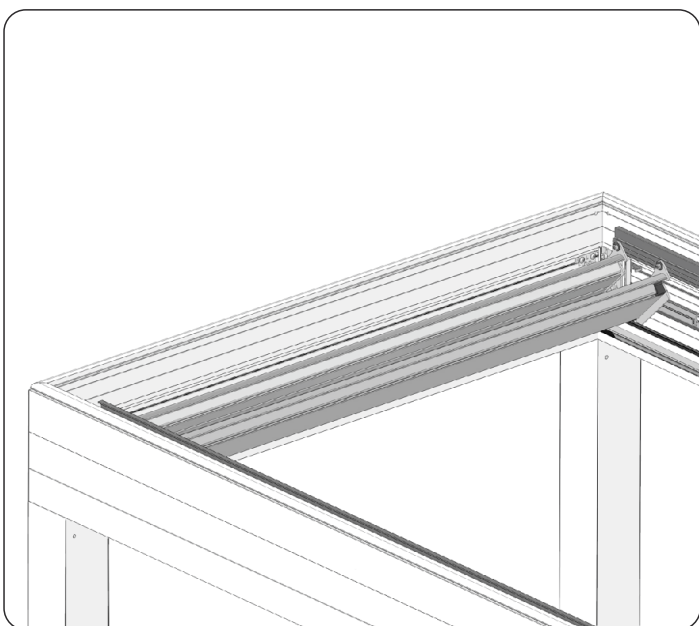
24. Connect the first slats with the slat bracket profile. Fit the assembled sleeves (1) in the first openings of the slat bracket profile - PRP-100 (2).



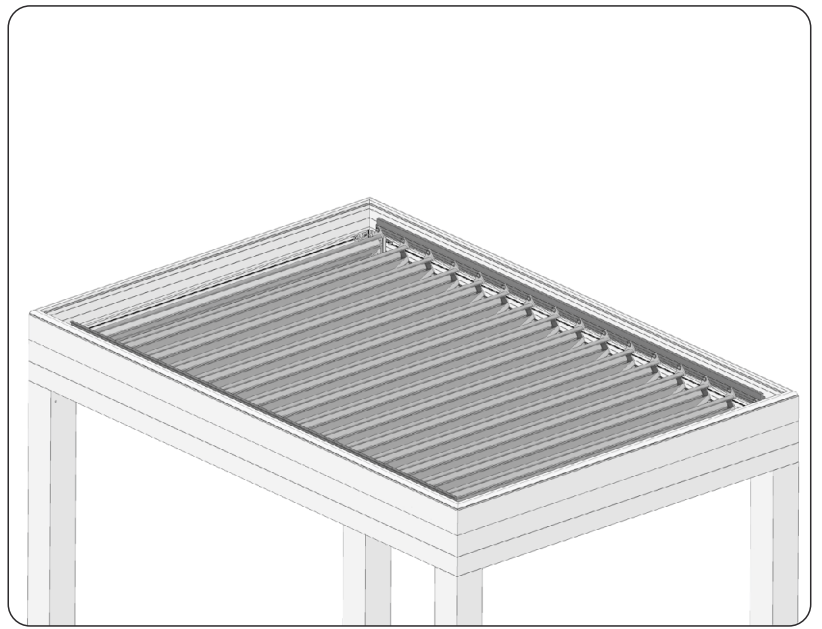
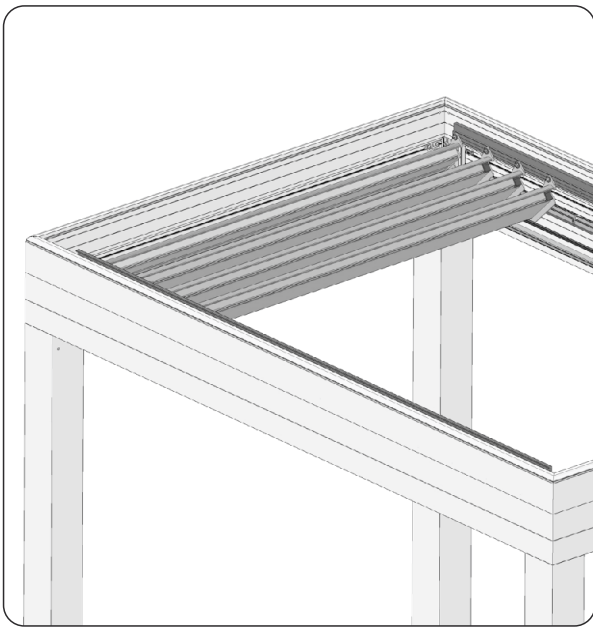
25. Fit the upper sliding sleeve PRD-070 (1) in upper openings of the slats, match the slat bracket profile - PRP-100 and the first slats.



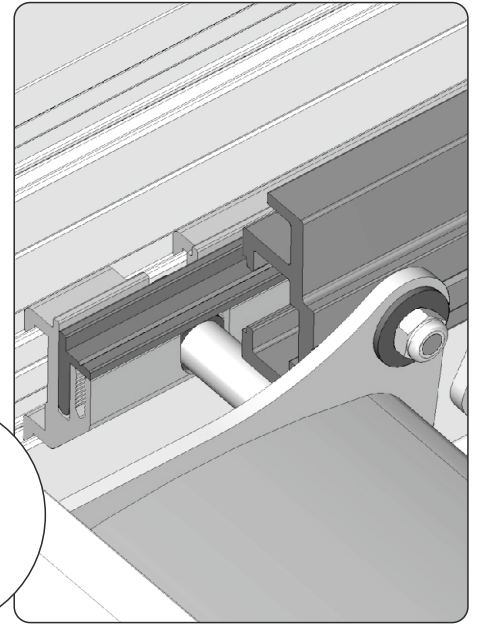
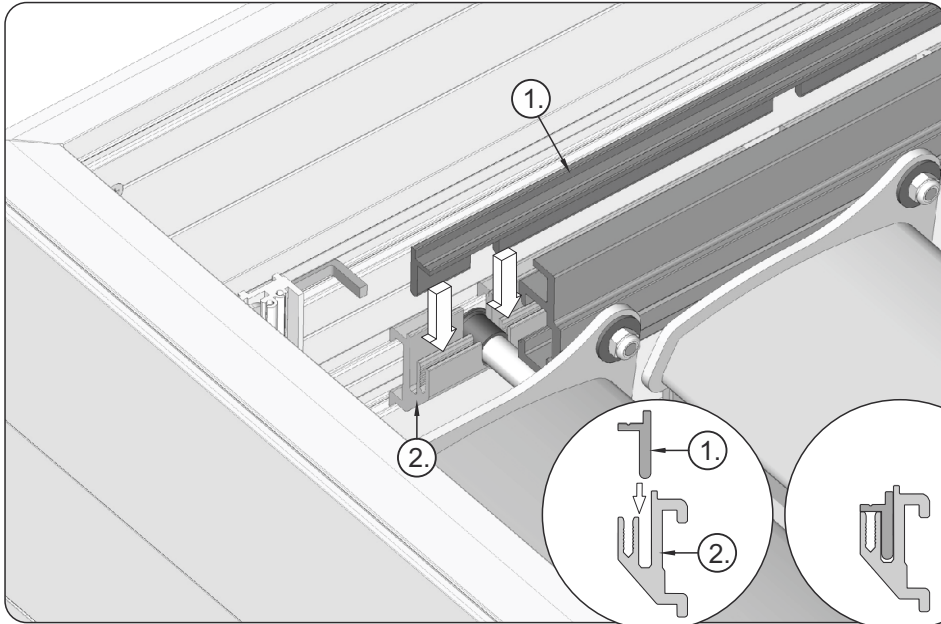
26. Place washers (1) and self-locking counter nuts with polyamide inserts (M8) onto screws and next tighten them.



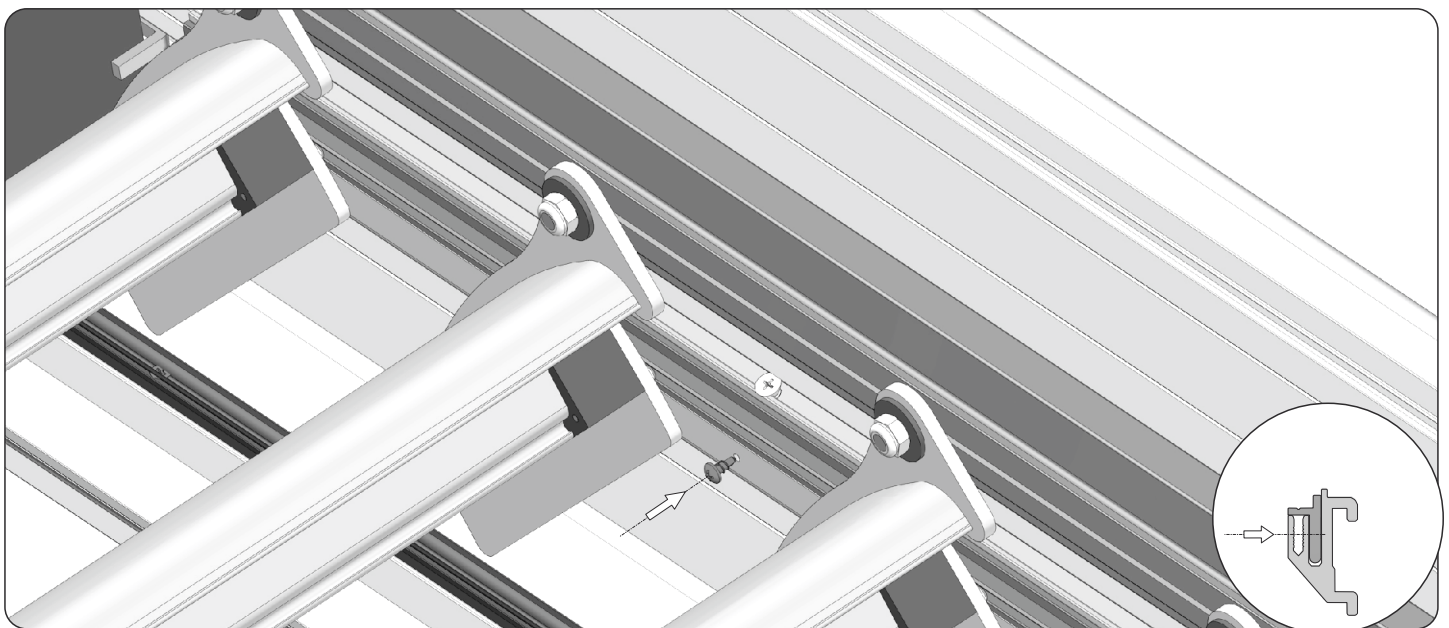
27. To connect other slats with the slat bracket profile, you need to raise the slats via the motor, position each slat so that its mandrel and sleeve (mounting bracket) were properly positioned in the slat bracket profile (see point 18). Next fix them to the slat bracket profile (see point 24).



28. Position and fix the other slats in the same way. Once all the slats are installed, test if pergola closes correctly and if all the slats fit.

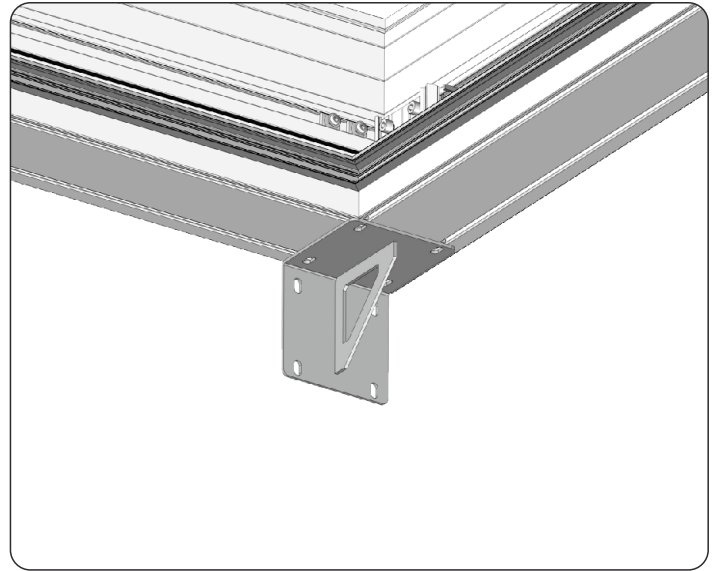
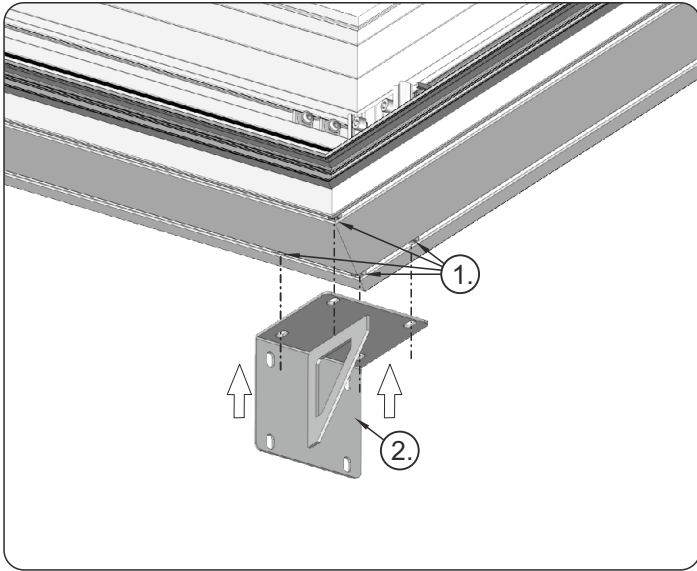


29. Secure the overall structure against detachment with the protective profile for the slats (1), which shall be attached to the slat bracket profile (2).

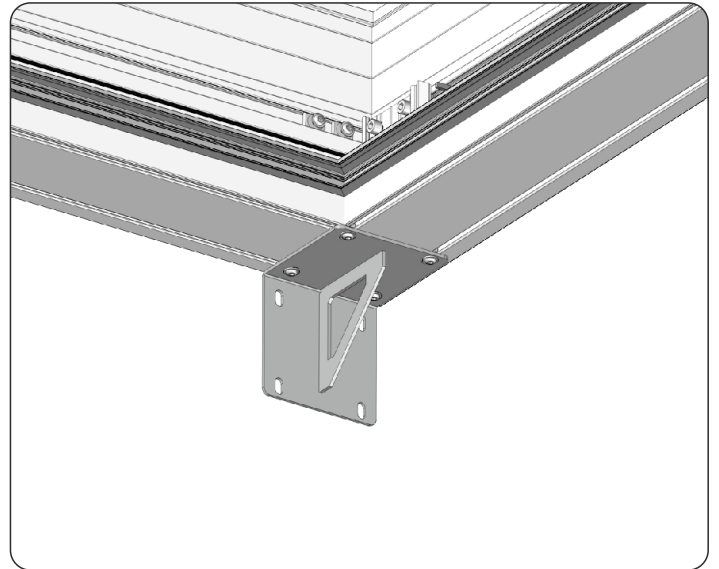
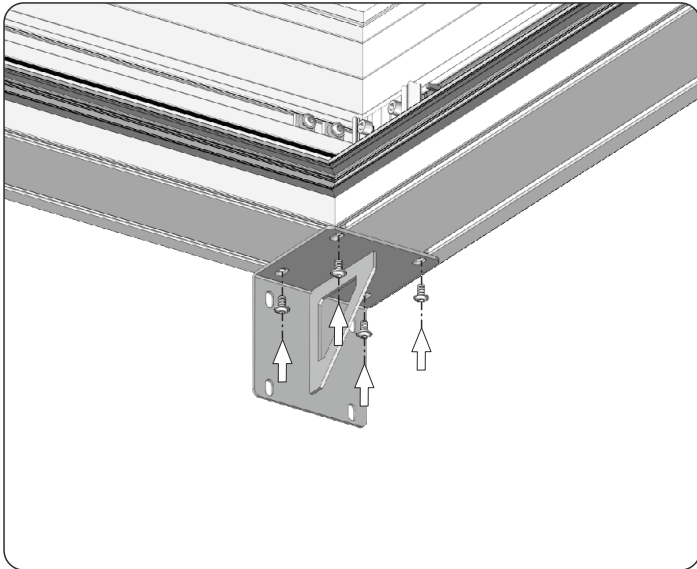


30. Fix the protective profile for the slats using 4,2x13 screws.

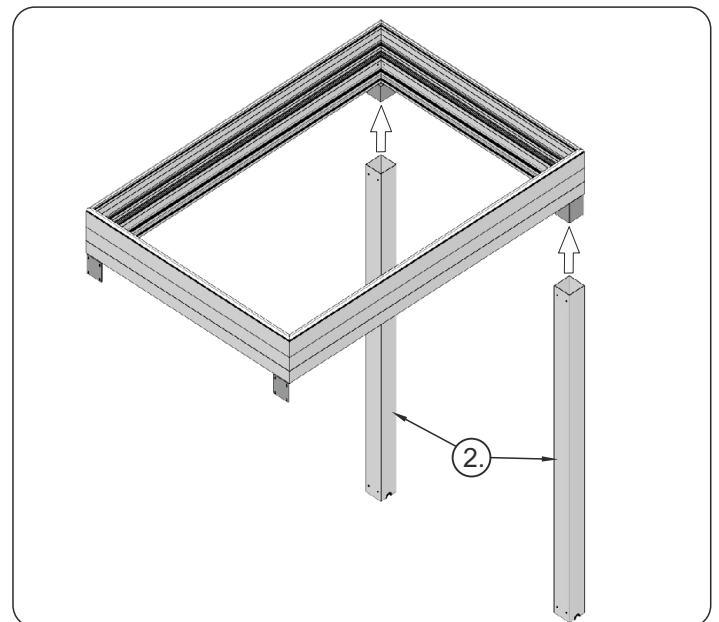
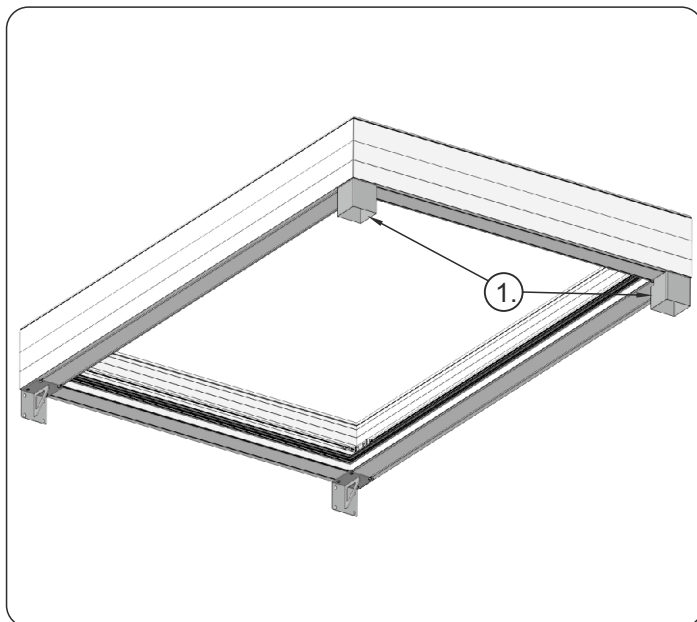
WALL MOUNTED VERSION



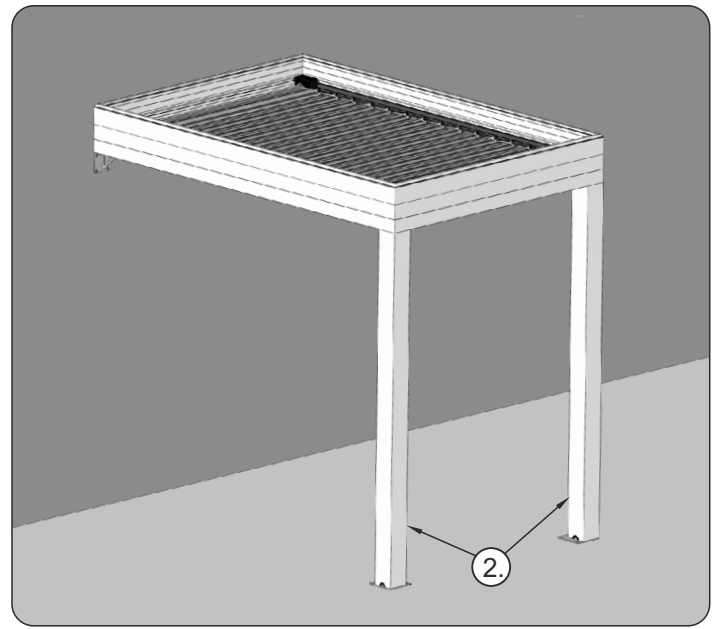
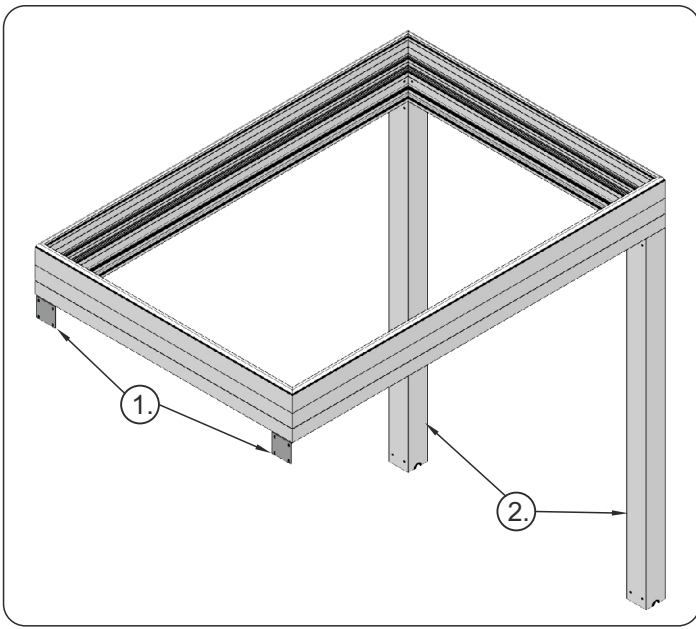
31. As regards the wall mounted version of pergola, instead of upper column brackets in the corners, wall mount brackets PRT-160 shall be fixed to the gutter facing the wall. For the purpose, the earlier inserted square nuts (1) - 4 pieces per each wall mount bracket (2) - shall be properly placed in the bottom grooves of the gutter so that the openings in the wall mount bracket matched the openings of the nuts.



32. Wall mount brackets shall be fixed to the gutter using M8x12 screws.



33. The remaining two upper column brackets PRT-050 (1) shall be installed to the gutter in the same manner as in the standalone version (point 6-9). PRP-040 load bearing columns (2) shall be fixed in the upper column brackets.



34. Pergola shall be fixed to the wall by means of wall mount brackets PRT-160 (1) using bolts or chemical anchors suitable for relevant surface. Load bearing columns PRP-040 (2) shall be set in the subsoil in the same manner as in the standalone version (points 12-15).



**WARNING - FOR THE SAFETY OF PEOPLE, IT IS IMPORTANT
TO FOLLOW THIS INSTALLATION MANUAL.
KEEP THIS INSTALLATION MANUAL AT ALL TIMES.**



PORTOS TR7

spółka z ograniczoną odpowiedzialnością s. k.

ul. Złota 71
62-800 Kalisz
tel 62 768 40 11

E-mail: sekretariat@portosrolety.pl
www.portosrolety.pl