



AN INSTALLATION MANUAL

AND PERGOLA OPERATION

PR6000[®] LITE



Prior to any installation works, read the following installation manual.

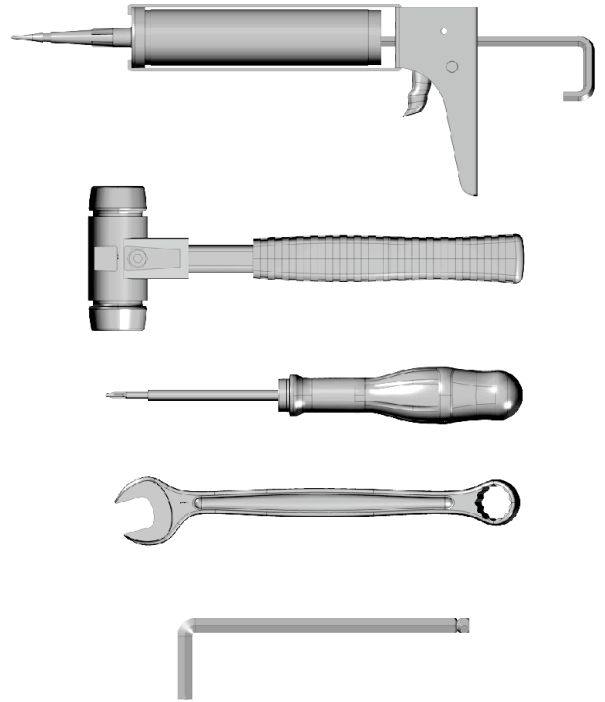
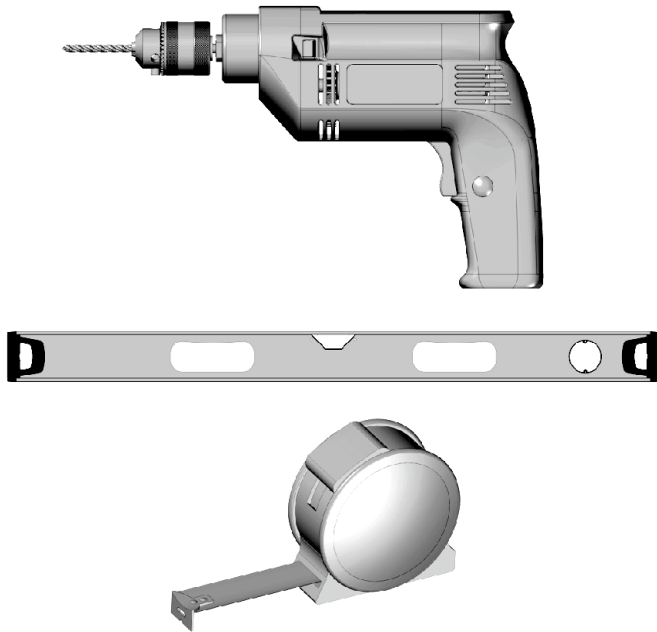
Any changes or modifications to the structure of external blinds are permissible only after prior consultation with the manufacturer. External blinds must always be installed on even surfaces.

External blinds shall be installed only by competent personnel, properly trained in OHS rules and applicable construction laws. In case of electrically driven external blinds, installation is only permissible by a properly licensed electrician (holder of SEP license up to 1 kV).

Directly prior to installation, blinds shall be unpacked and checked for completeness of all parts necessary for its installation.

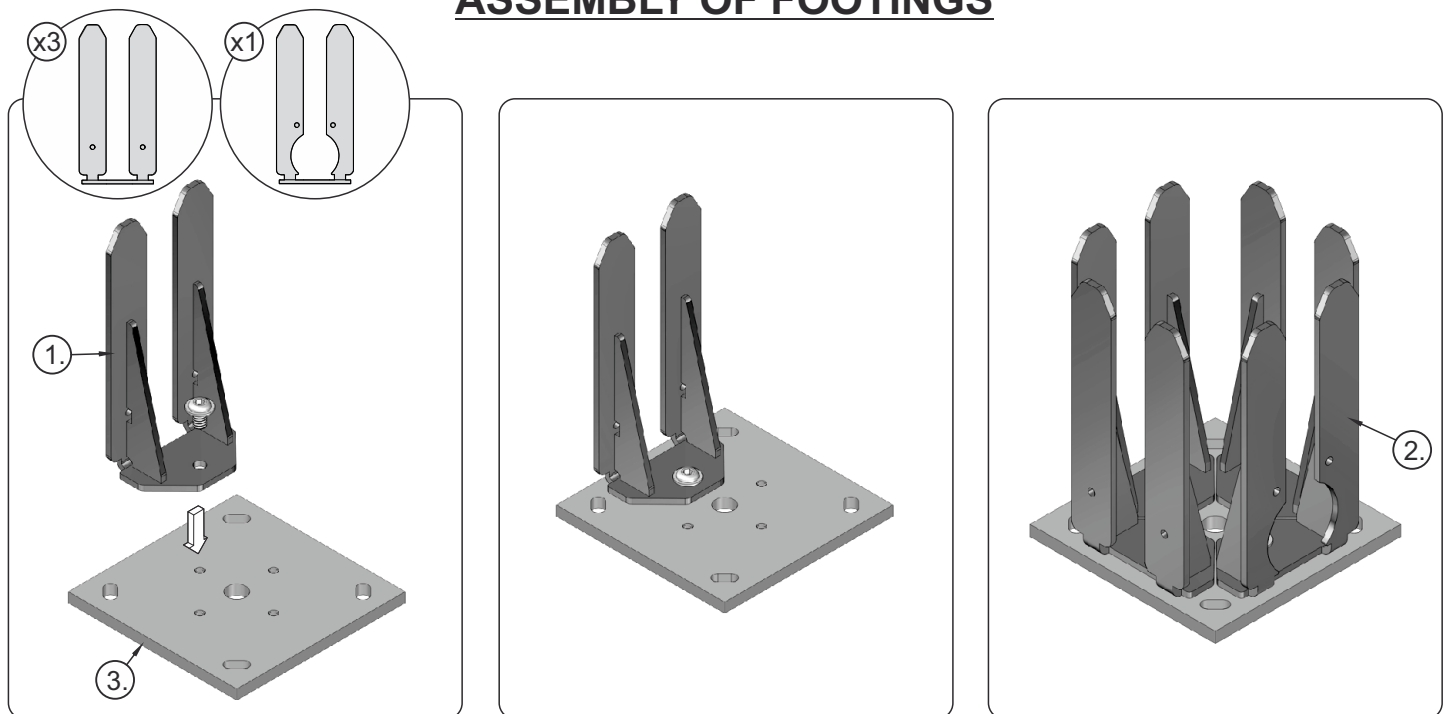
Tools necessary for pergola installation:

- Drilling machine with a set of drill bits and hole saws
- A set of screwdrivers
- Chemical anchor
- Hammer
- Allen wrenches, wrenches
- Self-locking measuring tape
- Builder's level



The kit supplied by PORTOS excludes any screws, expansion bolts, wires for the electrical wiring.

ASSEMBLY OF FOOTINGS

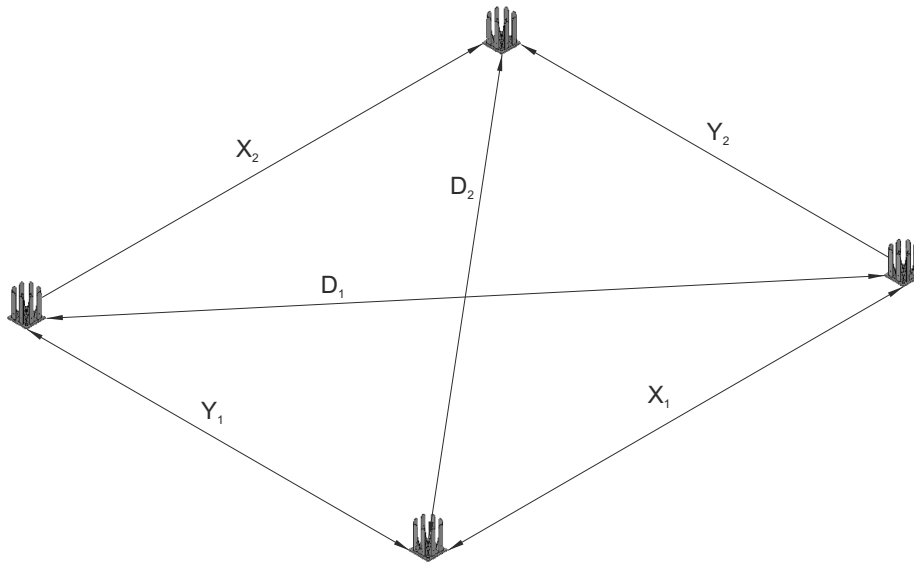


1. Fix the elements of the footing together: fix three column brackets (1) and one column bracket with a drainage hole (2) by screwing them to the column bracket base (3) using M8x12 screws.

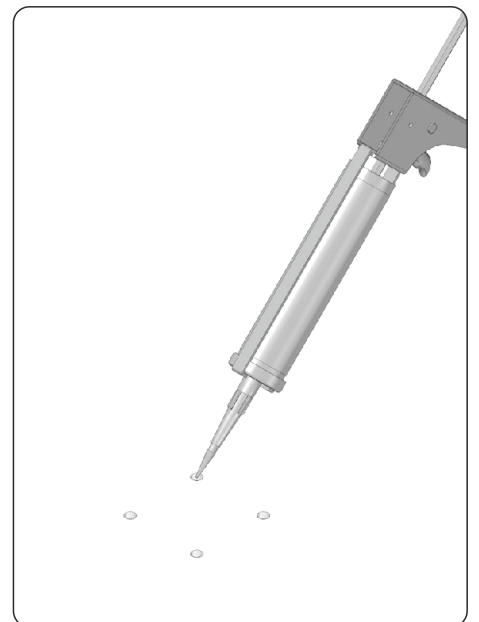
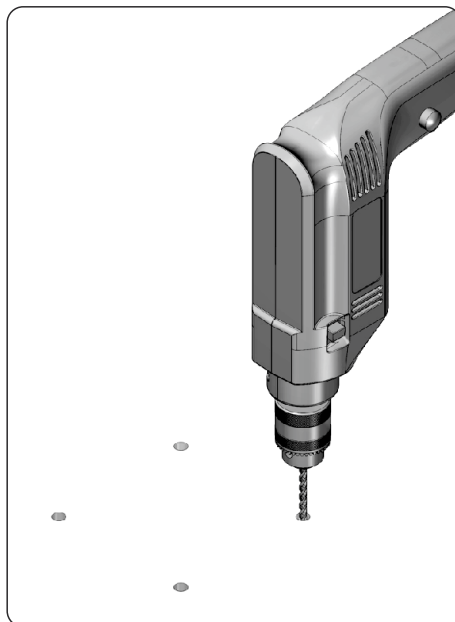
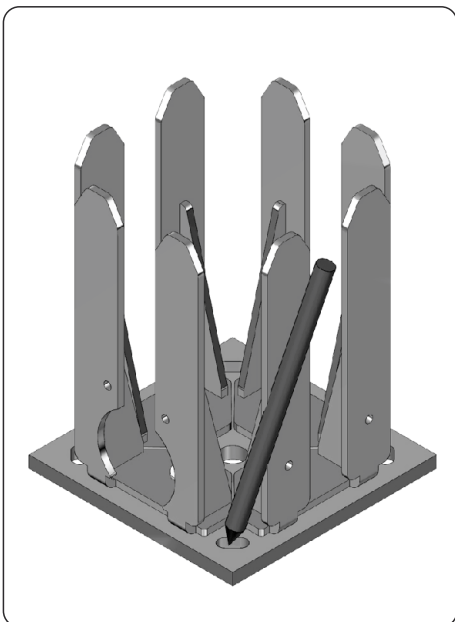
SURFACE PREPARATION FOR COLUMN ANCHORING

NOTE! Pergola needs to be anchored in the subsoil of appropriate strength. If the subsoil does not offer the right properties or if there are any doubts as to the quality of subsoil, concrete floor will be required to be made for the anchoring of pergola footings.

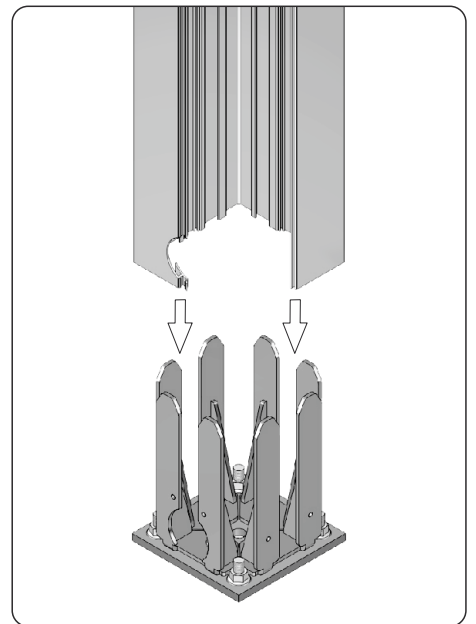
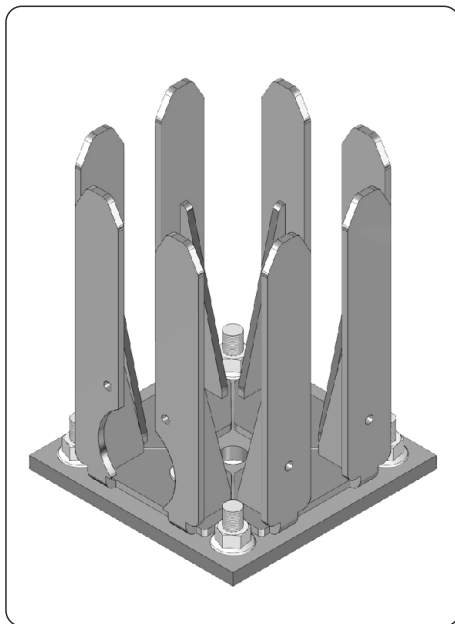
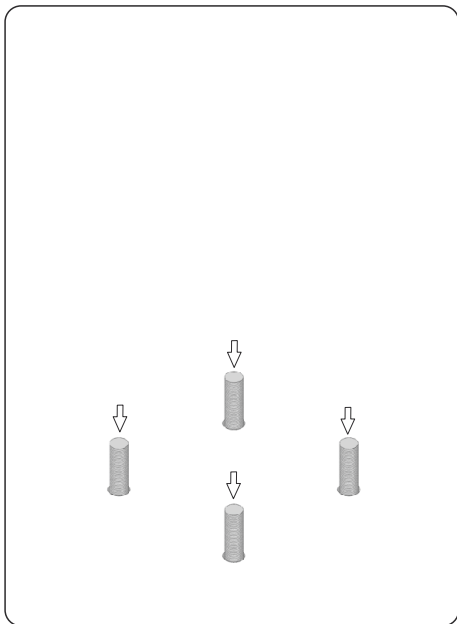
Standalone version



2. Place column brackets according to the pergola dimensions. Width X_1 and X_2 as well as length Y_1 and Y_2 of the pergola shall be measured at the bottom, so shall be the diagonals D_1 and D_2 . The deviation between X_1 and X_2 , Y_1 and Y_2 and D_1 and D_2 shall not exceed 5 mm.



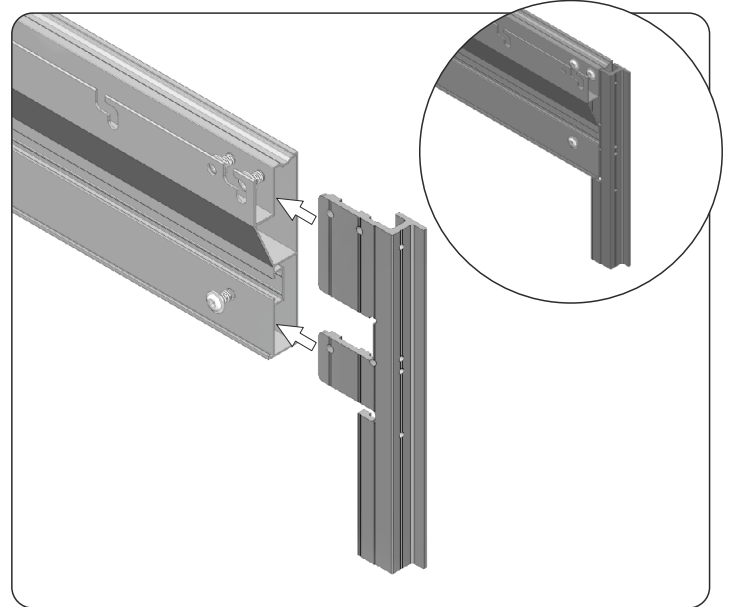
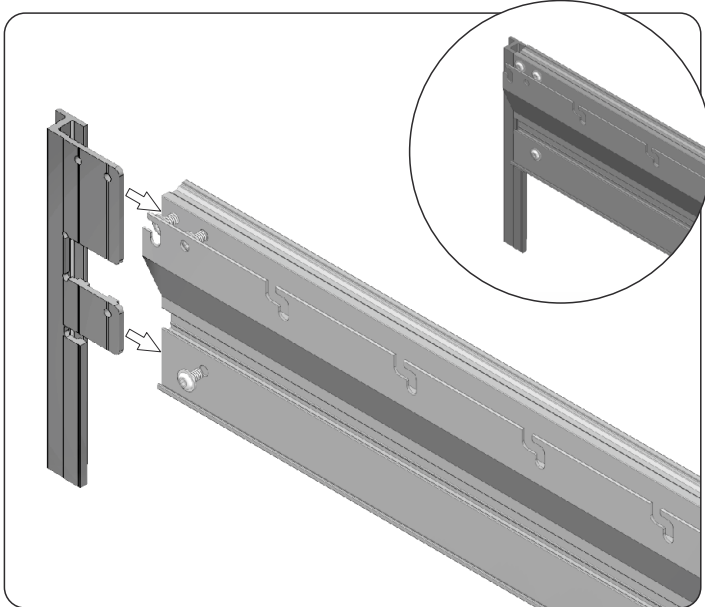
3. Mark locations for the openings to fix the anchoring screws. Drill relevant openings in the marked places (3), clean the openings from dust before fixing the bottom column bracket. Insert the chemical anchor into the prior made openings.



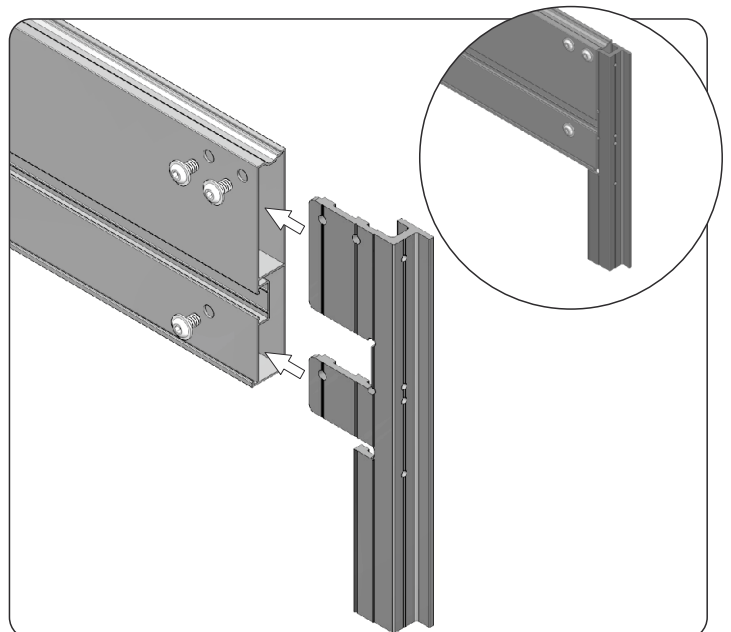
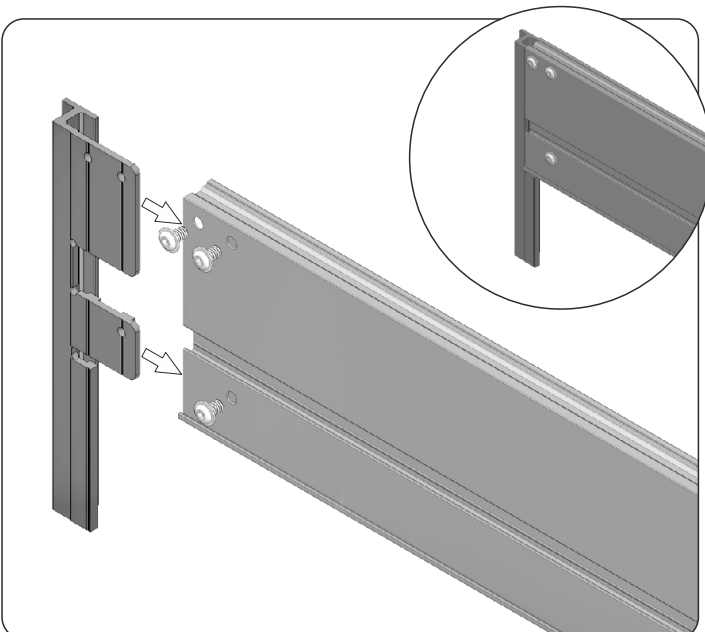
4. Insert the M8 threaded rods in the openings with a chemical anchor and wait for 15 minutes at the minimum. Once the anchor sets, place the column bracket over the threaded rods. Next, connect the column bracket by using nuts and M8 washers.

5. Place the load bearing column of pergola over the column brackets, aligning their positions with proper column recesses.

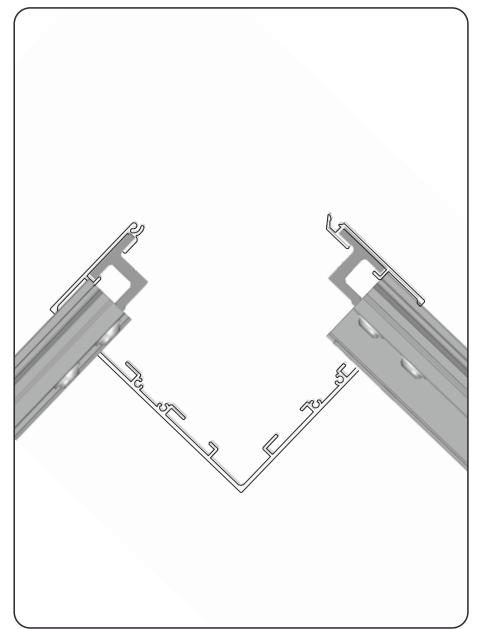
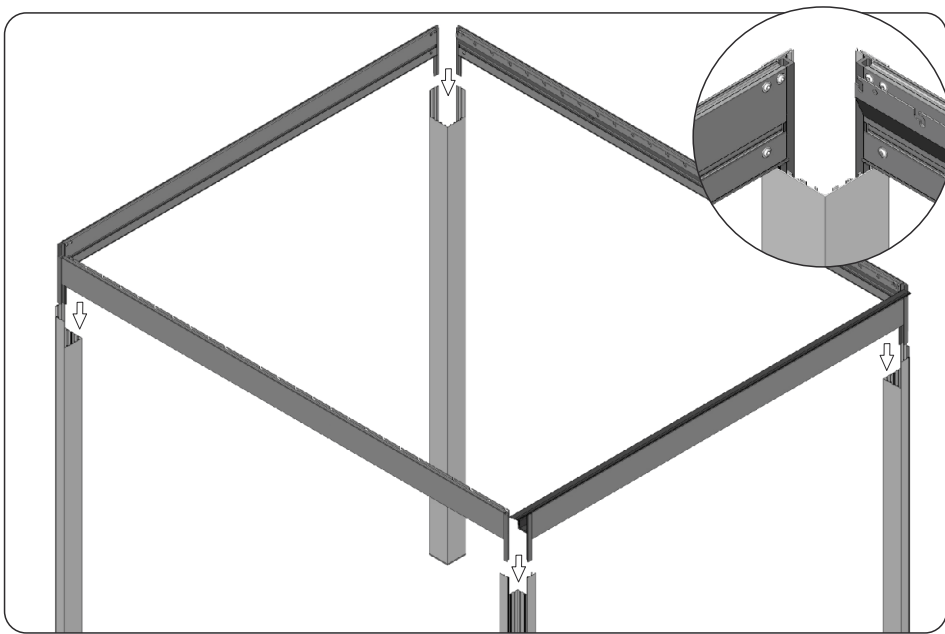
FRAME ASSEMBLY



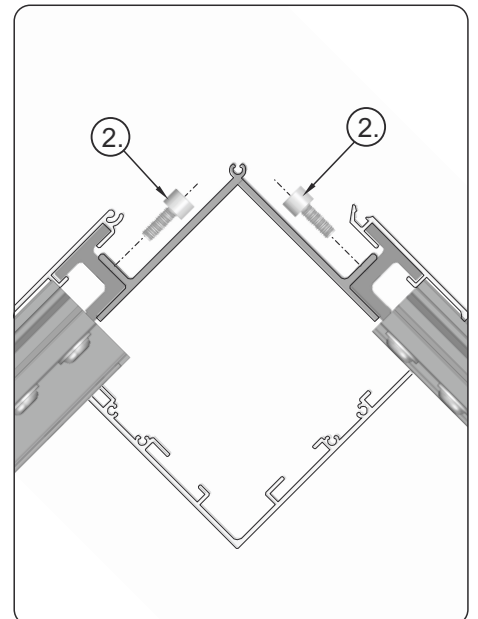
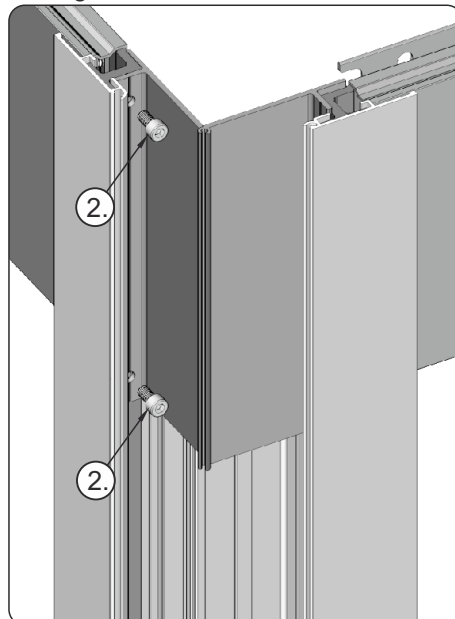
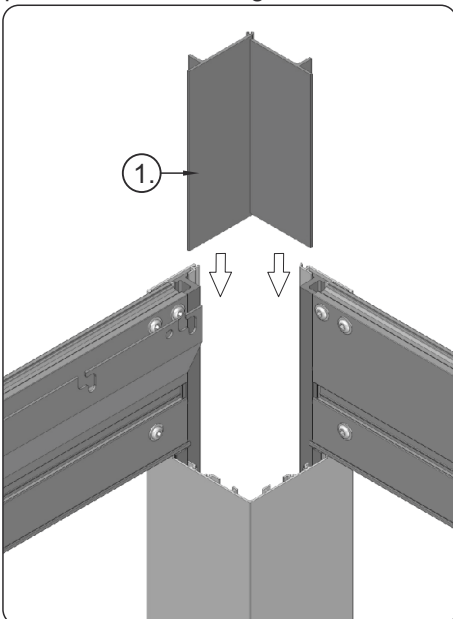
6. Fix the corner brackets (right and left) in the outreach frames using M8x12 screws.



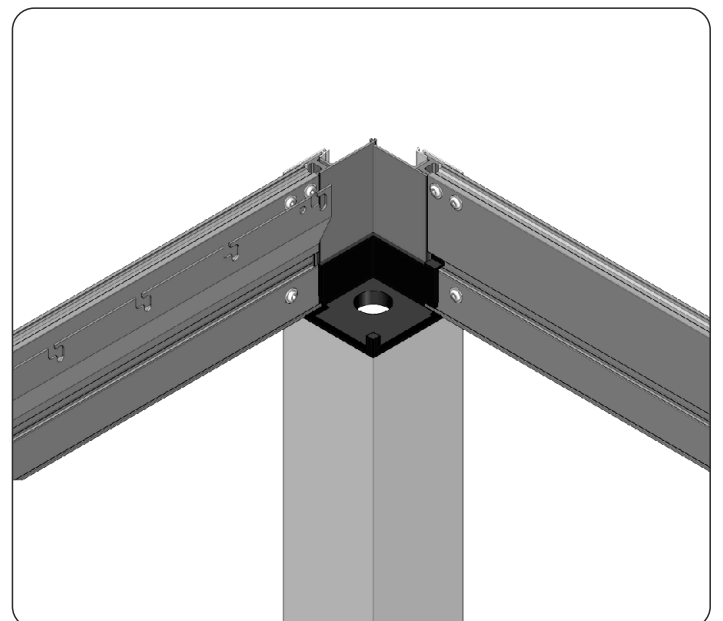
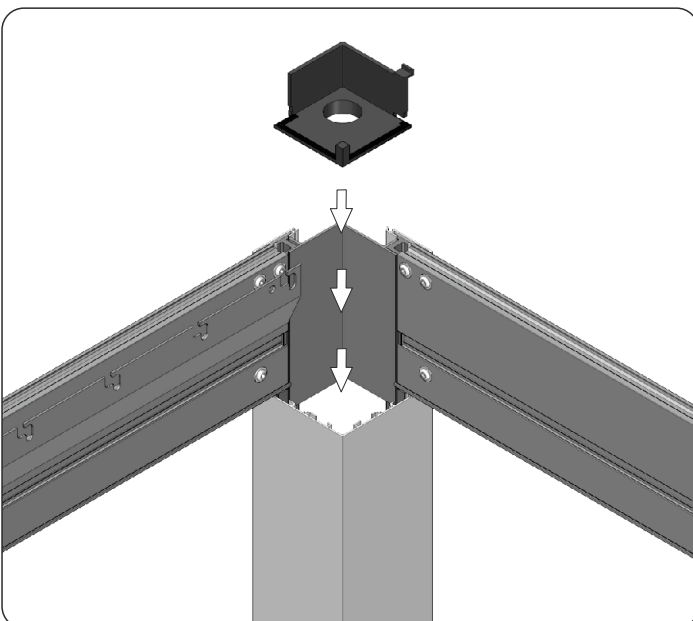
7. Fix the corner brackets (right and left) in the side frames using M8x12 screws.



8. Set the fitted side and outreach frames in the load bearing columns - to do so, the corner brackets of the frames shall be placed over relevant grooves of the load bearing columns.

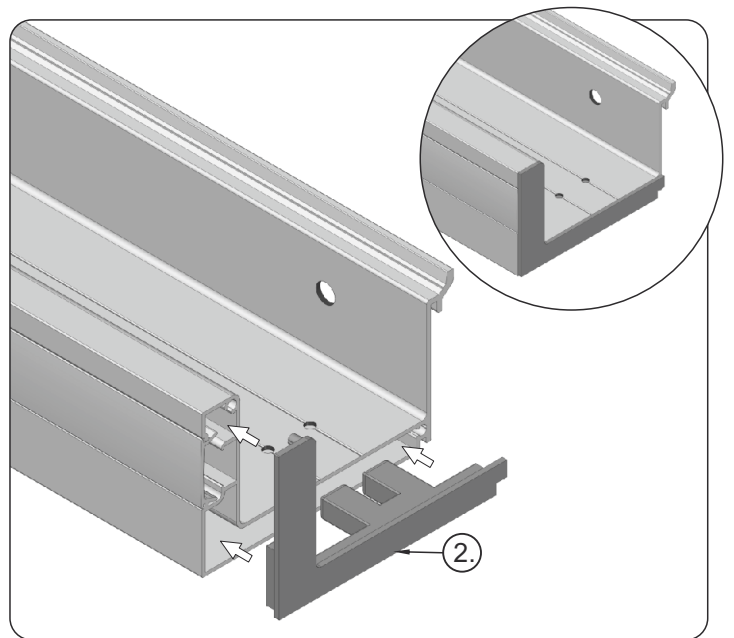
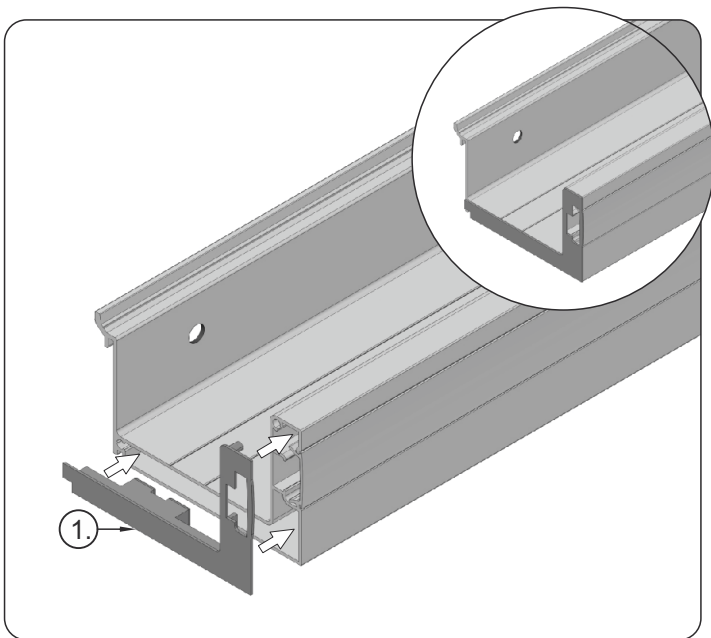


9. Fix the connectors (1) to the corner brackets on their outer side using M6x12 screws. Repeat the procedure with all corner brackets.

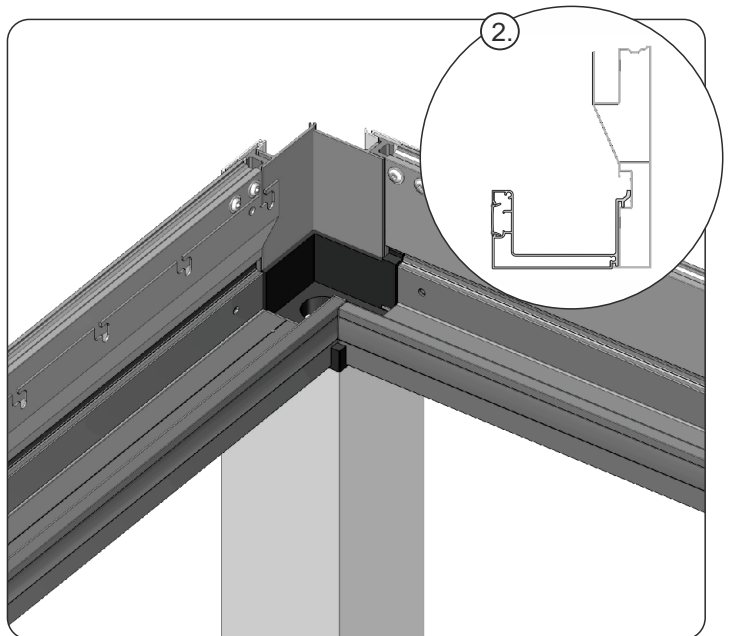
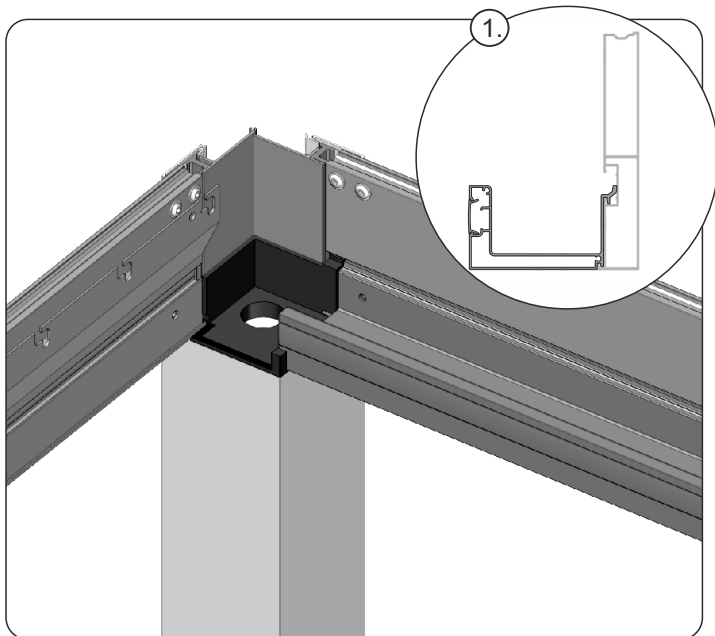


10. Place the corner seal in the space between connectors, the side frame, the outreach frame and the load bearing column. Repeat the procedure with all corner brackets.

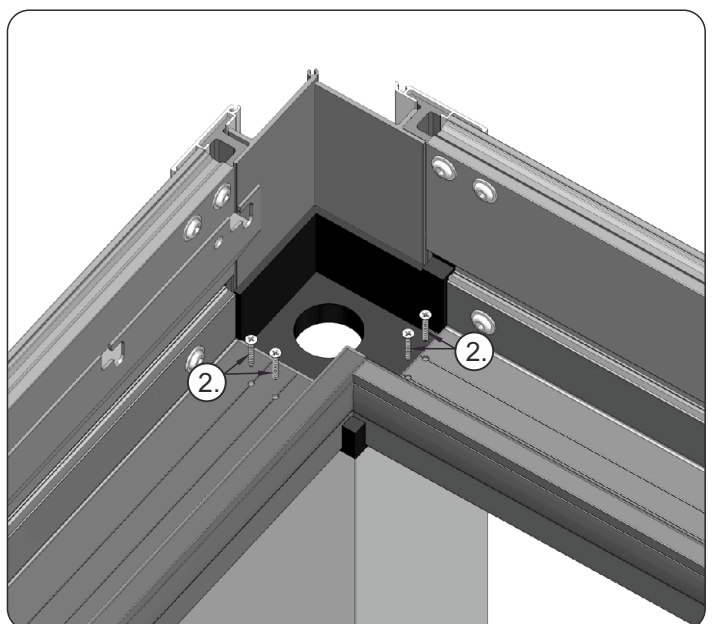
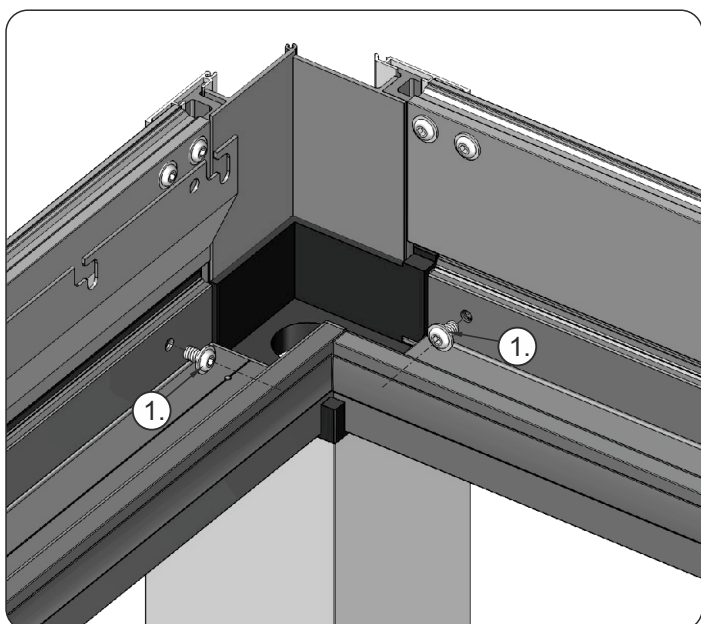
Note!!! The corner seal with a hole shall be placed in the intended location of the pergola drainage.



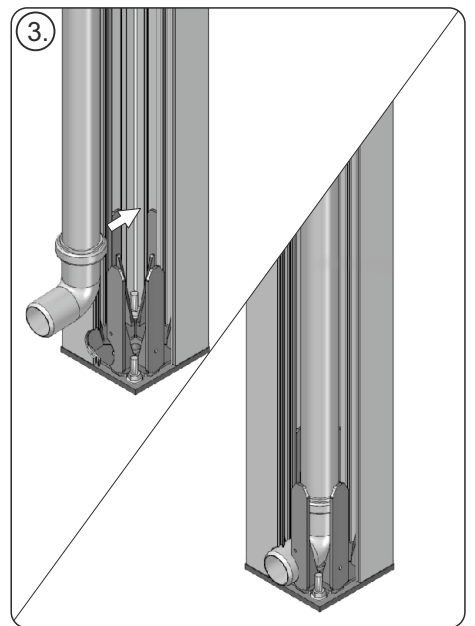
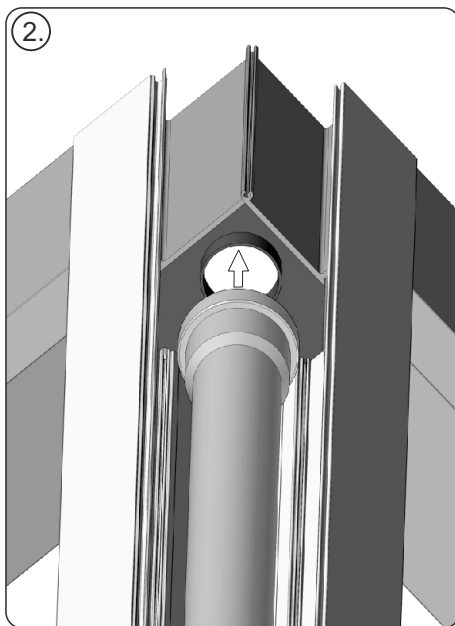
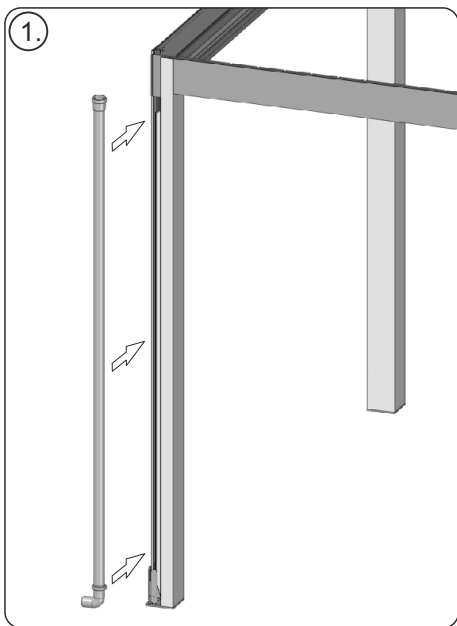
11. Push relevant plastic end caps into the gutter ends. Bottom gutter end cap shall be inserted into the gutter from the width profile side - width (1). Bottom gutter end cap shall be inserted into the gutter from the outreach profile side - outreach (2).



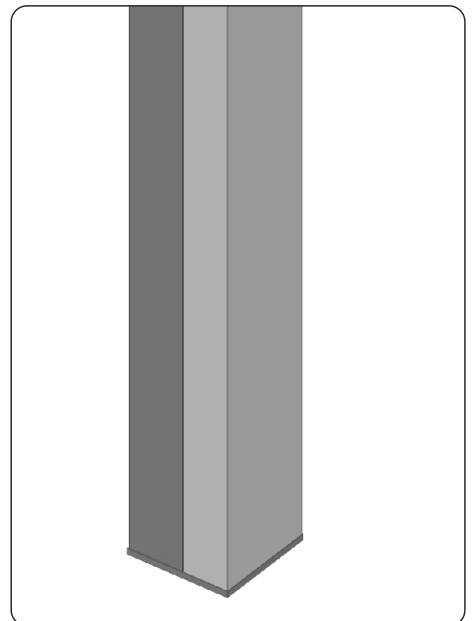
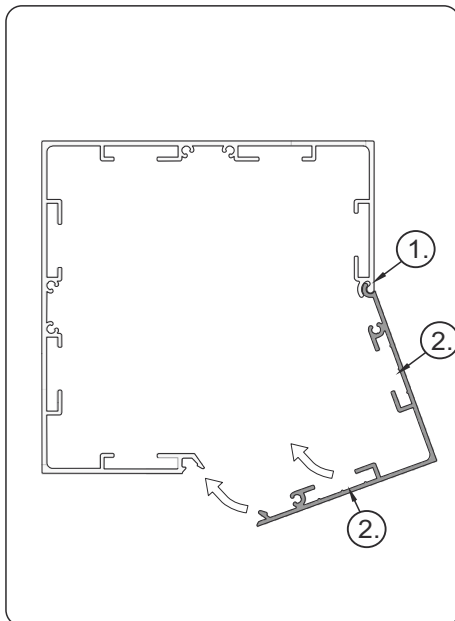
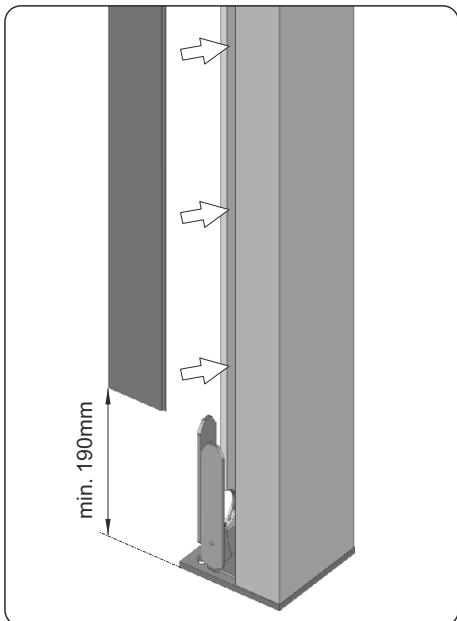
12. Place the fitted gutters in the side (1) and outreach (2) frame grooves.



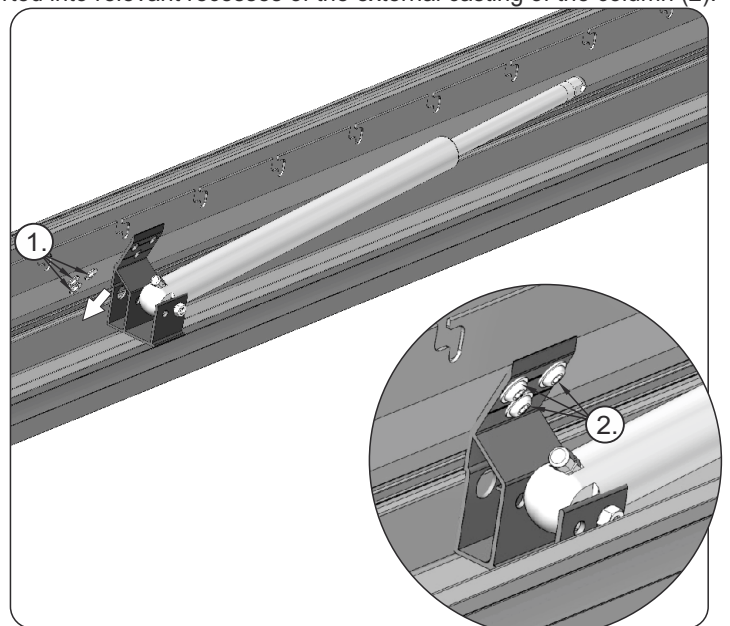
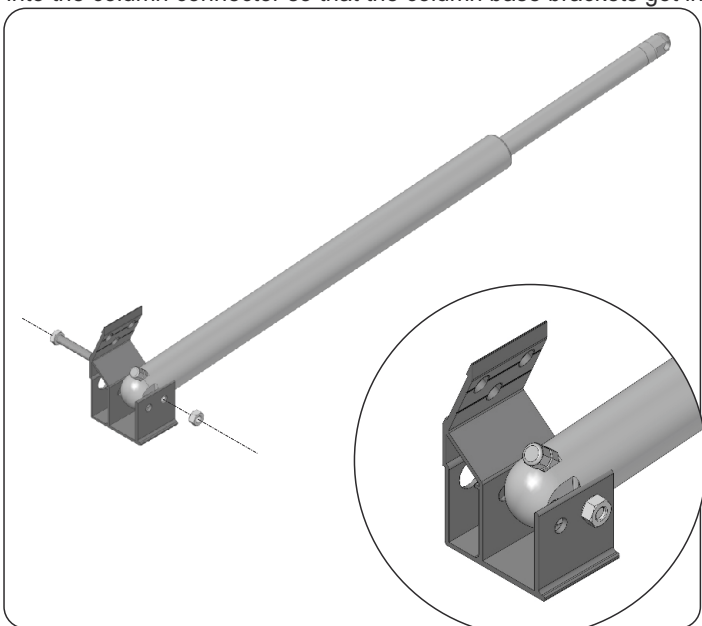
13. Fix the gutters to the frame using an M8x12 pad screw (1) and to the columns (through the corner seal) using 3.5x25 screws.



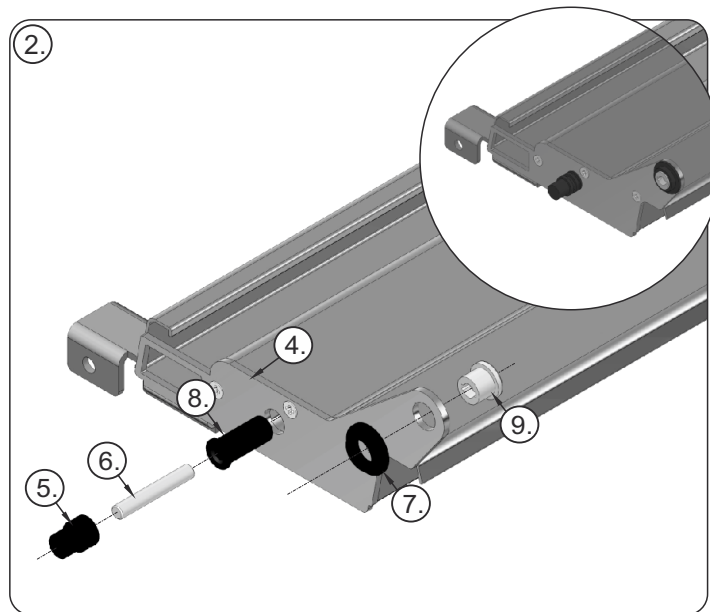
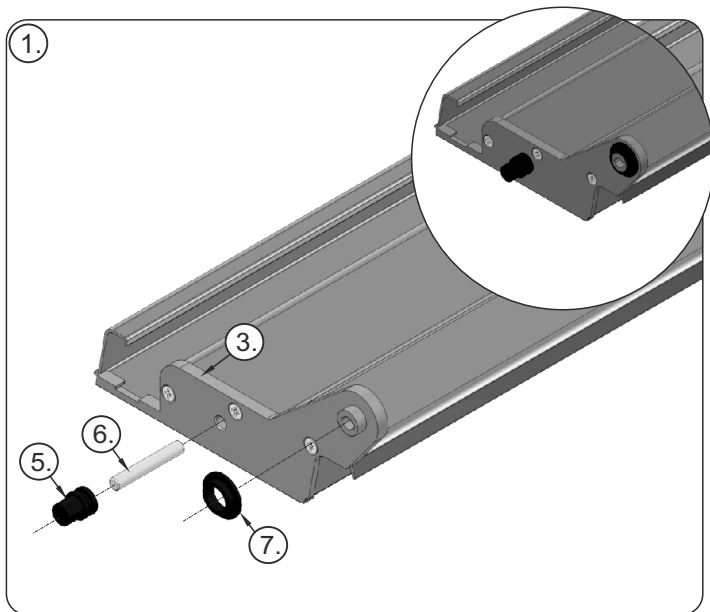
14. Position the drainage tube in the pergola drainage column . Push the upper part of the tube into the corner seal (2), the bottom part of the tube shall be placed in the drainage hole in the bottom part of the column and its connector (3).



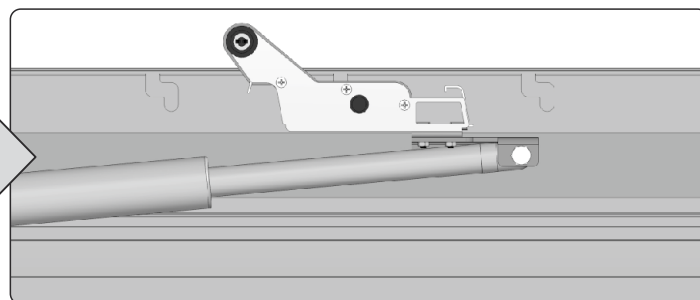
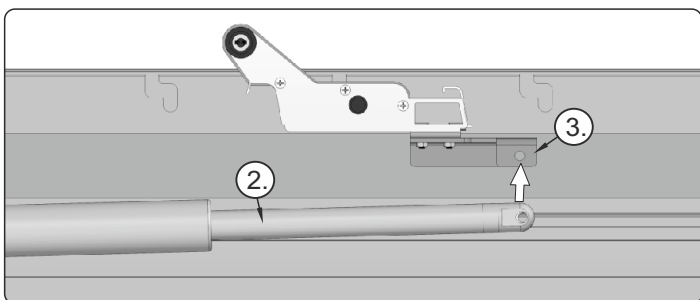
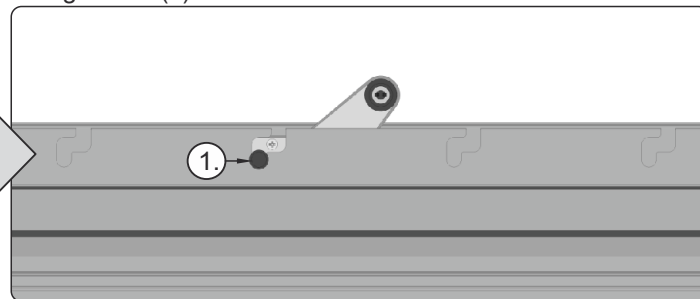
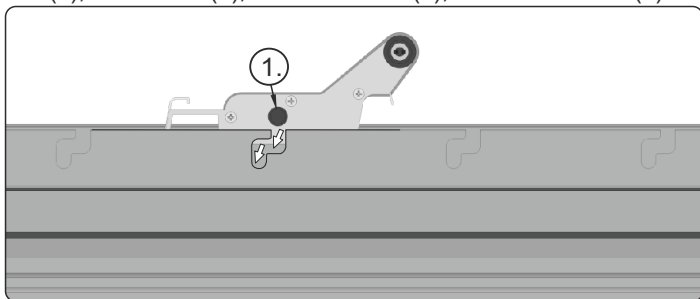
15. In order to put on the external casing of the column, the casing lifted at the minimum by 190 mm over the ground shall be inserted into the lock on the edge of the column (1), then, you need to fix the other edge of the casing to the column. Pull the casing down, into the column connector so that the column base brackets got inserted into relevant recesses of the external casing of the column (2).



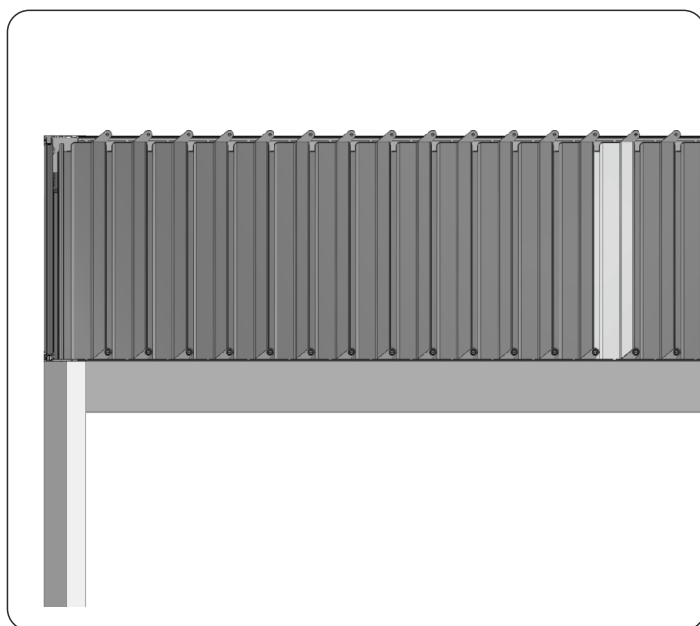
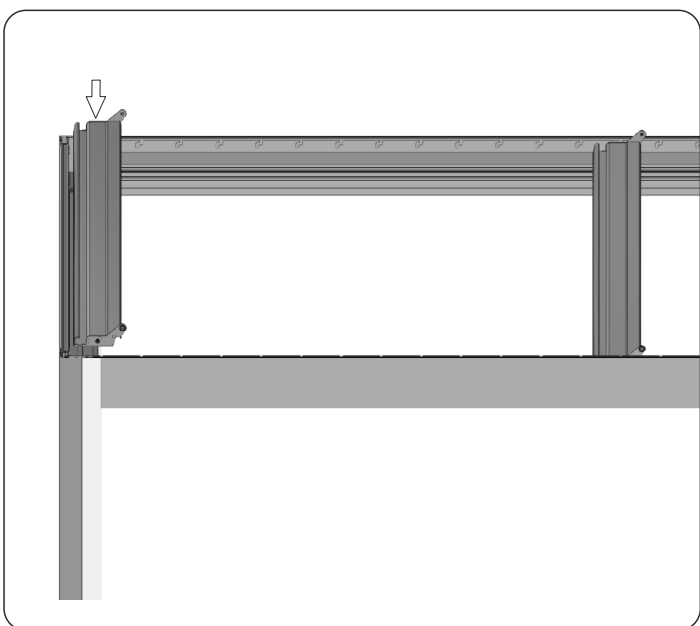
16. Fix the mounting bracket that connects the motor to the gutter, to the base of the motor. Fix the bracket connected to the motor and the blind rivet nuts (1) in the side frame using M8x12 screws (2) on the outreach side.



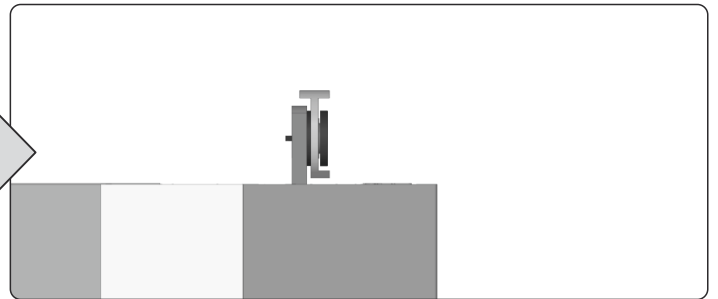
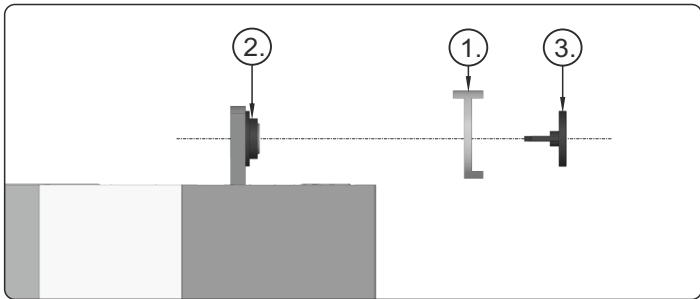
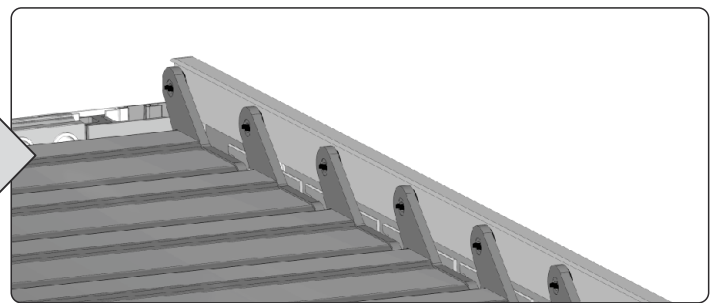
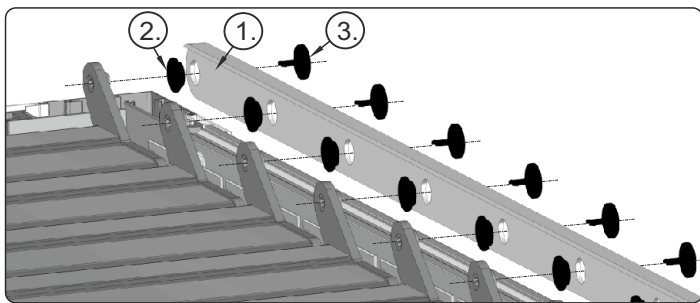
17. On both sides of the slats, PVC end caps (3) shall be fitted with: a roll shaft (6), slat mandrel (5) and sliding sleeve (7) as shown in fig. 1. The driving slat (2) shall be fitted from the side of the motor with a metal end cap (4), and from the other side - with a PVC end cap (3). Fit the PVC end caps as shown in fig. 1. The metal end cap shall be fitted as shown in fig. 2: with a sleeve to fix the driving slat (8), a roll shaft (6), a slat mandrel (5), a ratchet sleeve (9) and a sliding sleeve (7)



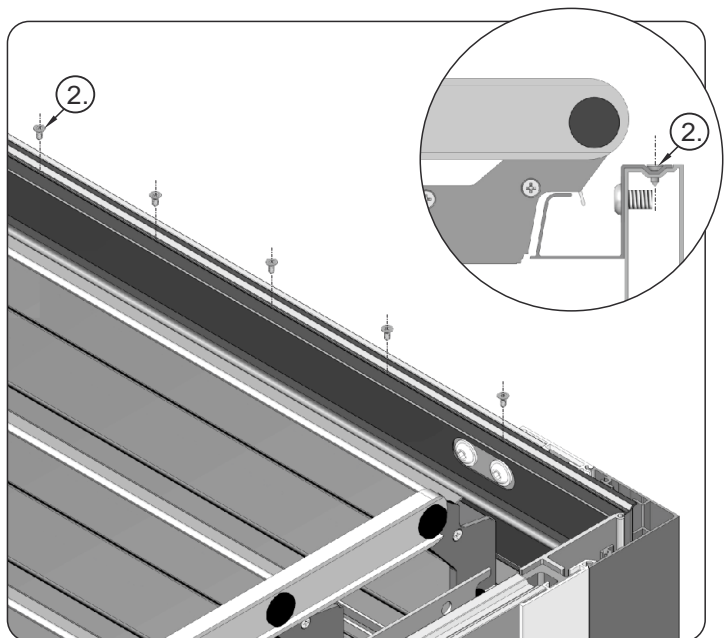
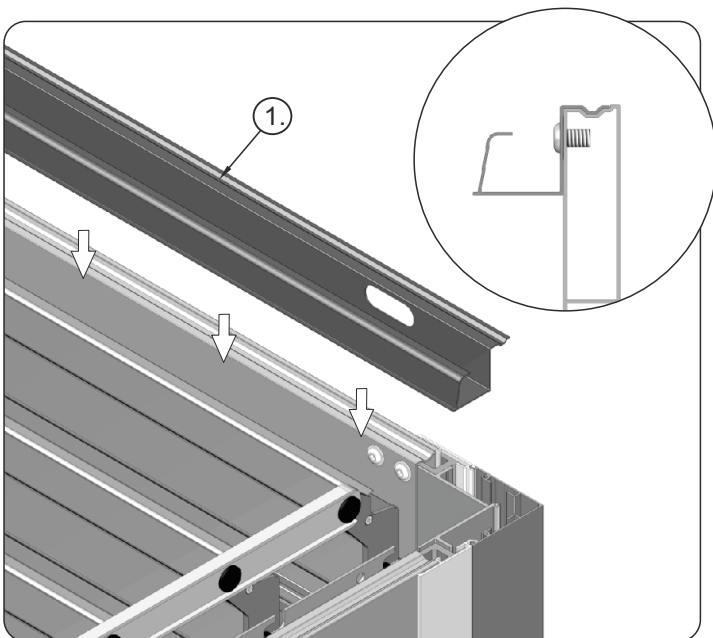
18. Insert the fitted slat into the milled holes of the outreach frame, so that the mandrel (1) is positioned in the gutter wall. Fix the motor (2) to the slat bracket (3).



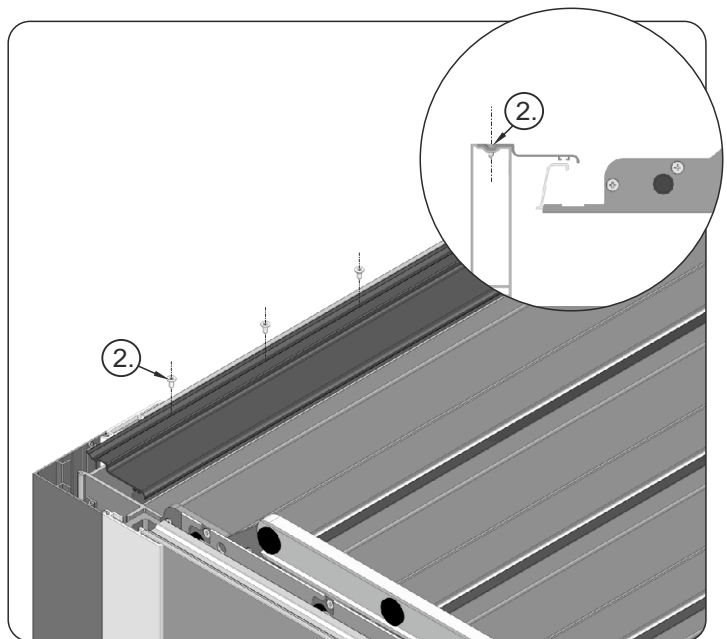
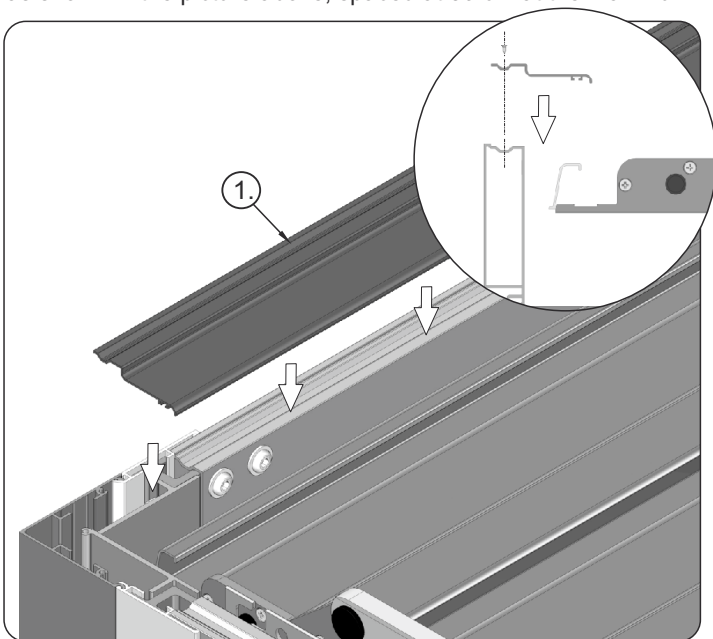
19. Insert all other fitted slats into the milled holes, so that the slat mandrel is positioned in the wall of the outreach frame gutter.



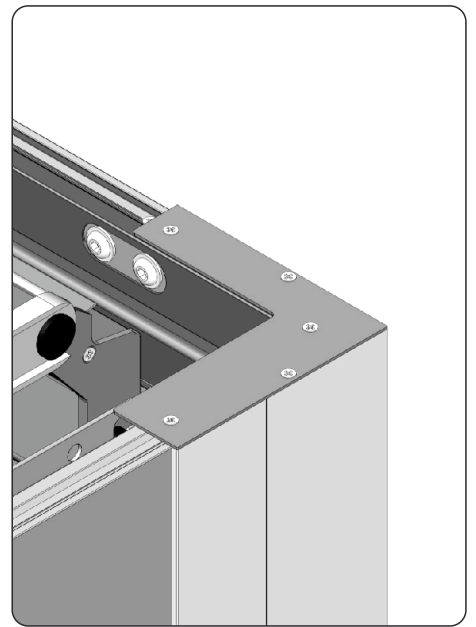
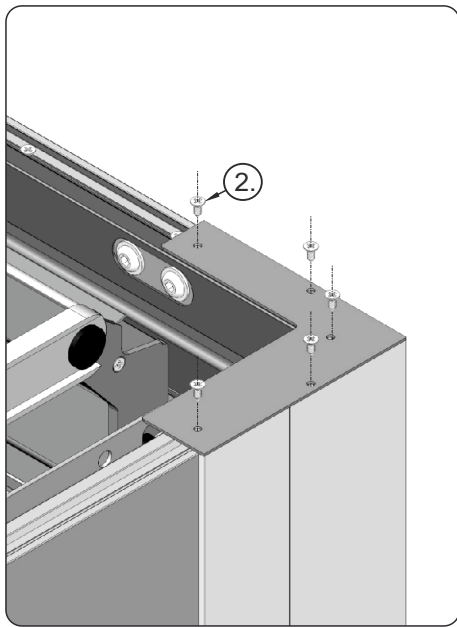
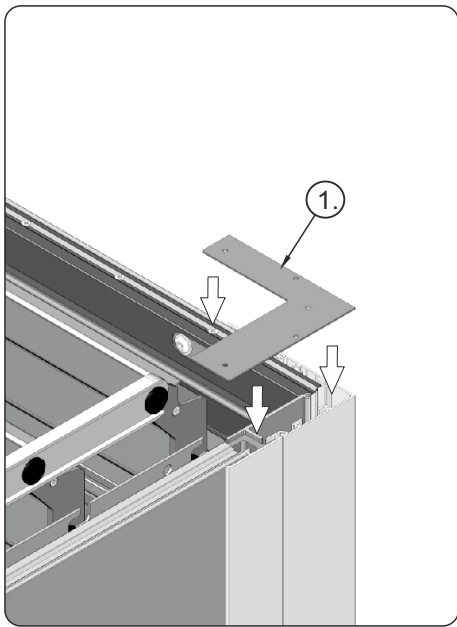
20. All slats in the gutter shall be connected with the slat bracket profile (1). Place the slat bracket profile over the sliding sleeves (2). Then, secure the profile against detachment by snapping slats with clamps (3). Repeat the procedure on the other side of the pergola.



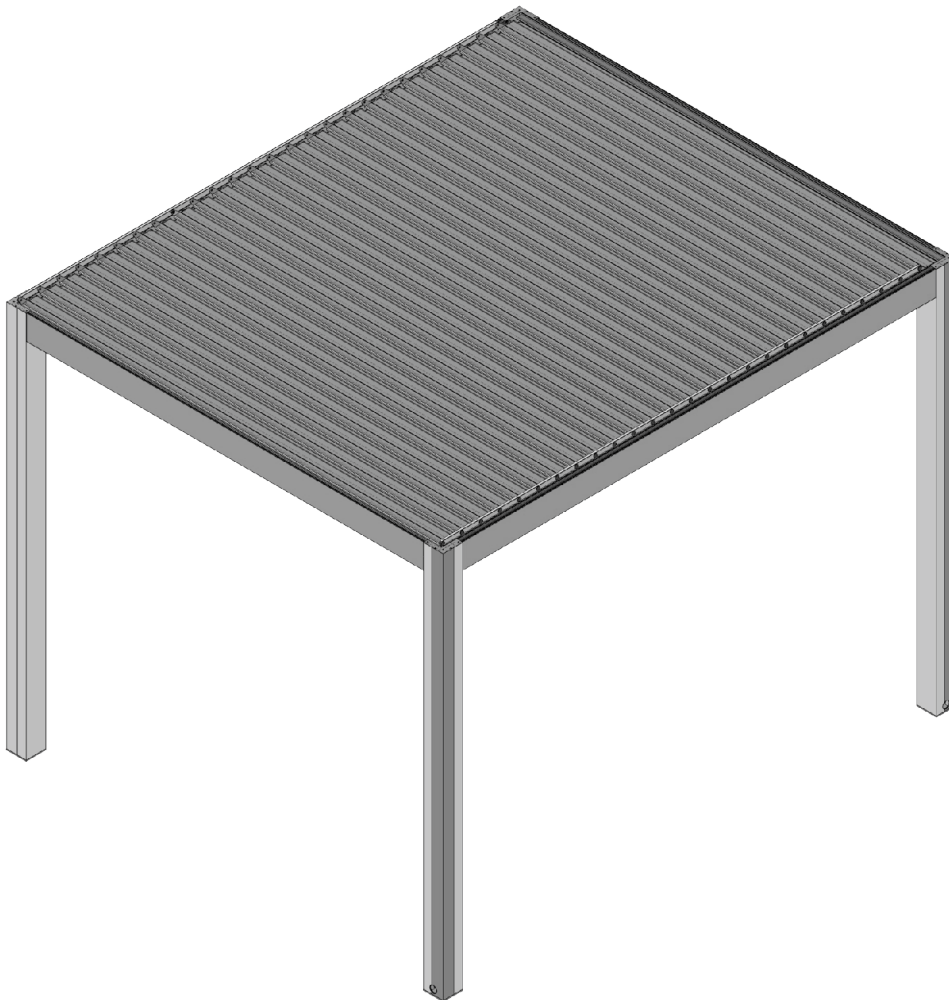
21. Place the first fixed slat (1) on the side frame from the slat closing side. Using 3.9x16 screws (2), fix slats to the frame from the top as shown in the picture above, spaced at 50 cm at the maximum.



22. Place the last fixed slat from the top (1) on the side frame from the slat opening side. Using 3.9x16 screws (2), fix slats to the frame from the top as shown in the picture above, spaced at 50 cm at the maximum.



23. Install the upper end cap (1) on the upper part of the column, then, fix it using five 3.9x16 screws (2) in proper positions to the columns. Repeat the procedure with every column.



24. General view of the PR6000 LITE pergola.



**WARNING - FOR THE SAFETY OF PEOPLE, IT IS IMPORTANT TO
FOLLOW THIS INSTALLATION MANUAL.
KEEP THIS INSTALLATION MANUAL AT ALL TIMES.**



PORTOS TR7

spółka z ograniczoną odpowiedzialnością s. k.

ul. Złota 71
62-800 Kalisz
tel 62 768 40 11

E-mail: sekretariat@portosrolety.pl
www.portosrolety.pl