

Pergola

PR6000®

TECHNICAL SPECIFICATION DOCUMENT



TABLE OF CONTENTS:

PR6000-HT Pergola	2
Cross-sections	4
Specification of parts	8
Dimensioning	25
Assembly drawings – pergola with two motors	26
Pergola PR6000-LITE	27
Cross-sections	28
Specification of parts	32
Dimensioning	40

PR6000[®]



*PR6000 is a trade mark of PORTOS.
All pictures and drawings included herein are only for illustrative purposes.
PORTOS reserves the right to make changes. ©2022 PORTOS.
All rights reserved.*

PR6000®



MAP KEY (EXPLANATIONS:



Approximate weight of the part (in kilos)



Maximum length of long elements (in metres)

STEEL

ALU

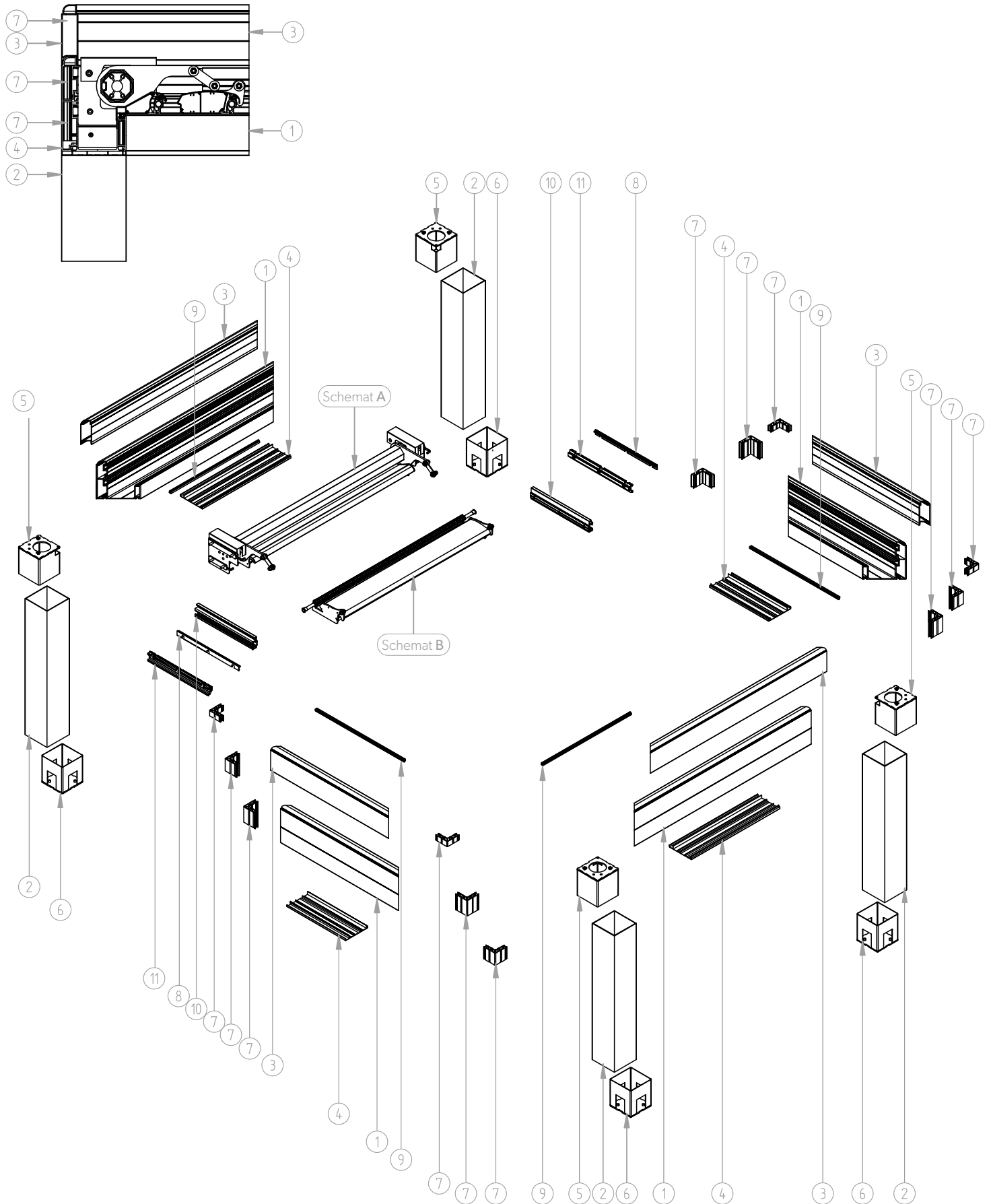
PVC

Material used for the production of the element (e.g. STEEL, PVC, etc.)



Elements with a lining option

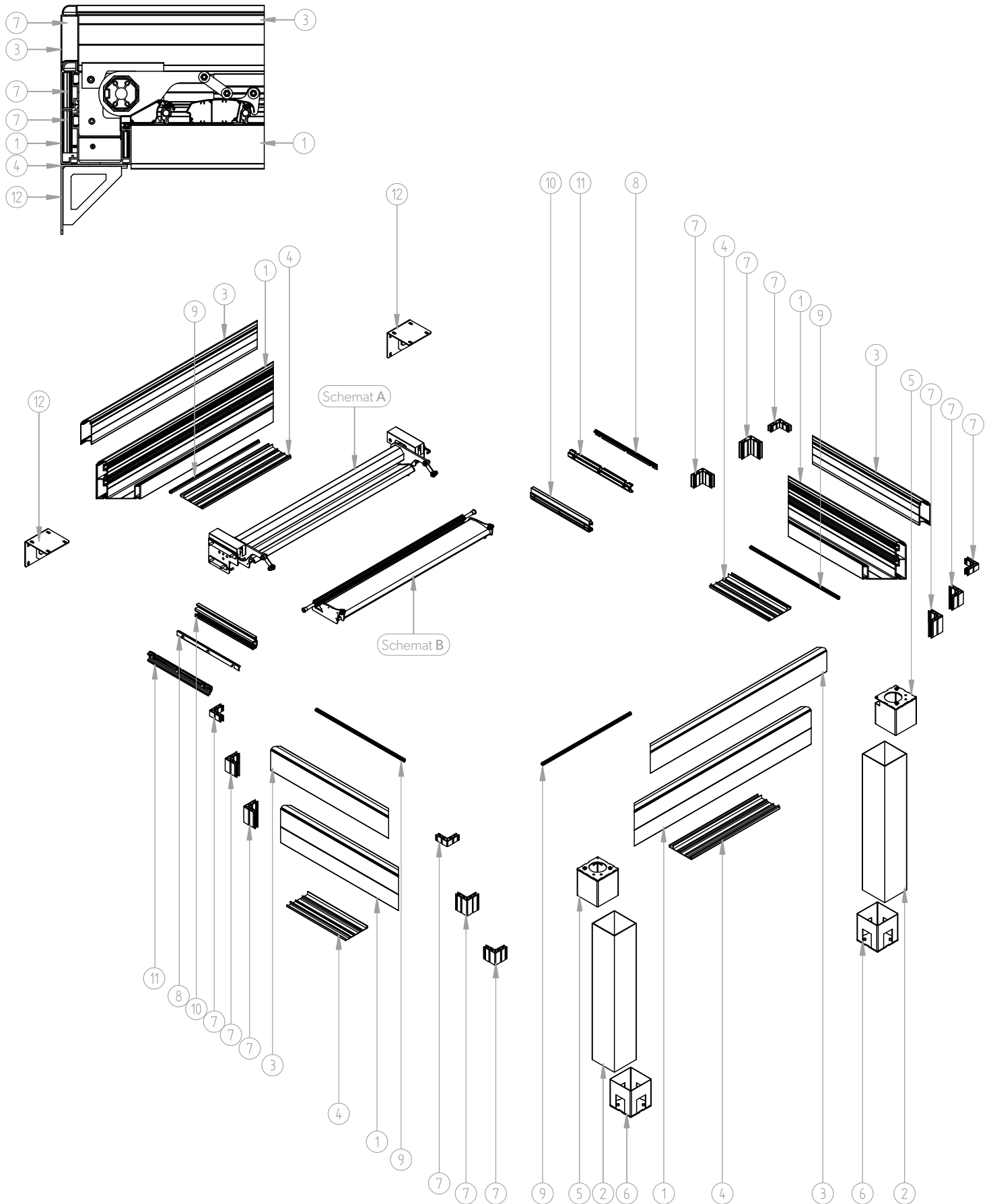
PR6000® system diagram and list of parts Standalone



PR6000® Standalone - list of parts

1. PRP-010	Side profile – gutter
2. PRP-040	Load bearing column of pergola
3. PRP-020	Gutter height adjustment profile
4. PRP-160	Gutter bottom masking profile
5. PRT-050	Upper column bracket
6. PRT-060	Bottom column bracket
7. PRP-140	Gutter corner bracket
8. PRP-120	Protective profile for the slats
9. PRU-040	'B' type gutter seal
10. PRP-100	Slat bracket profile
11. PRP-110	Slat fixing profile

PR6000® system diagram and list of parts Wall Mounted

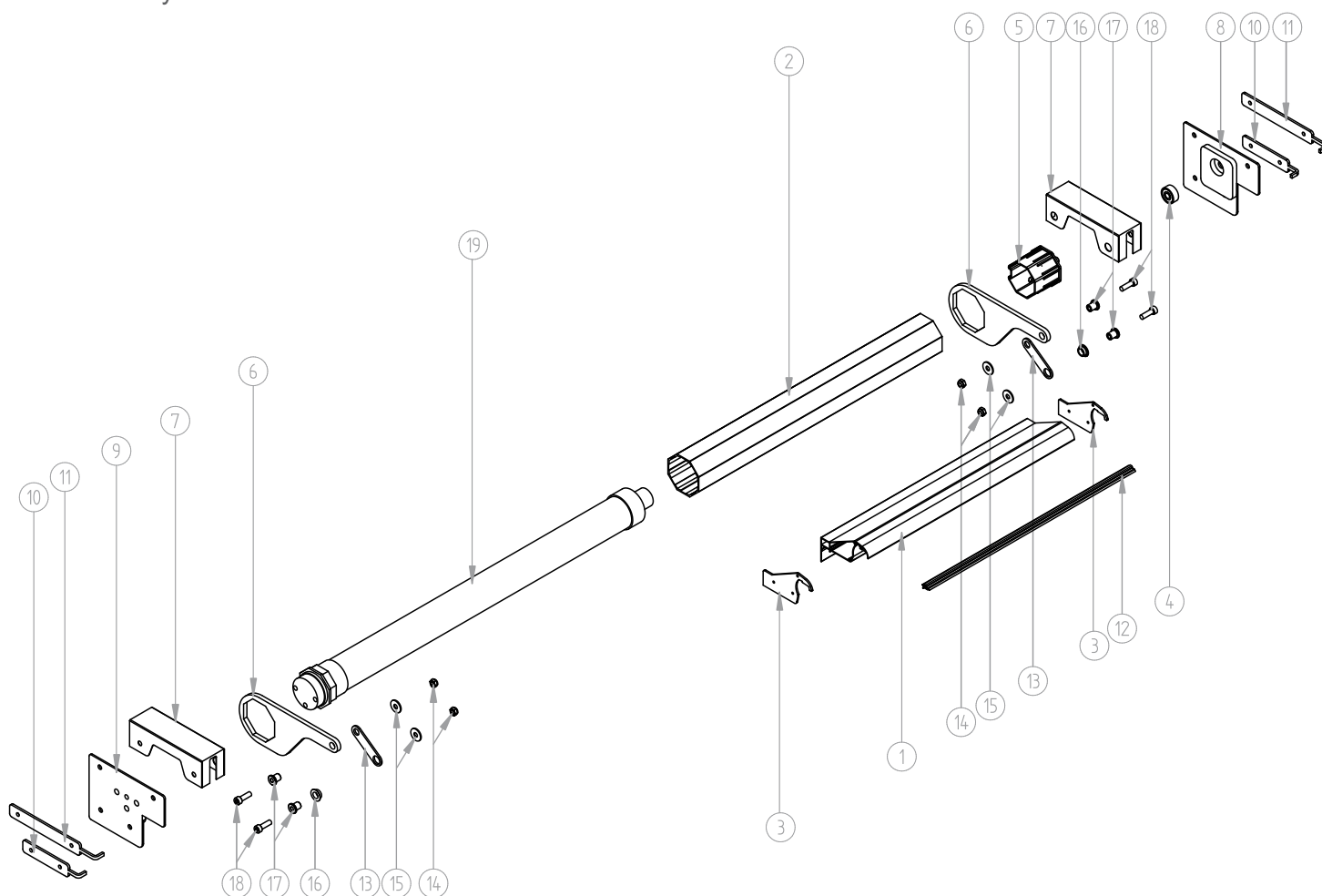


PR6000[®] Wall Mounted - list of parts

1. PRP-010	Side profile – gutter
2. PRP-040	Load bearing column of pergola
3. PRP-020	Gutter height adjustment profile
4. PRP-160	Gutter bottom masking profile
5. PRT-050	Upper column bracket
6. PRT-060	Bottom column bracket
7. PRP-140	Gutter corner bracket
8. PRP-120	Protective profile for the slats
9. PRU-040	'B' type gutter seal
10. PRP-100	Slat bracket profile
11. PRP-110	Slat fixing profile
12. PRT-160	Wall Mount Bracket

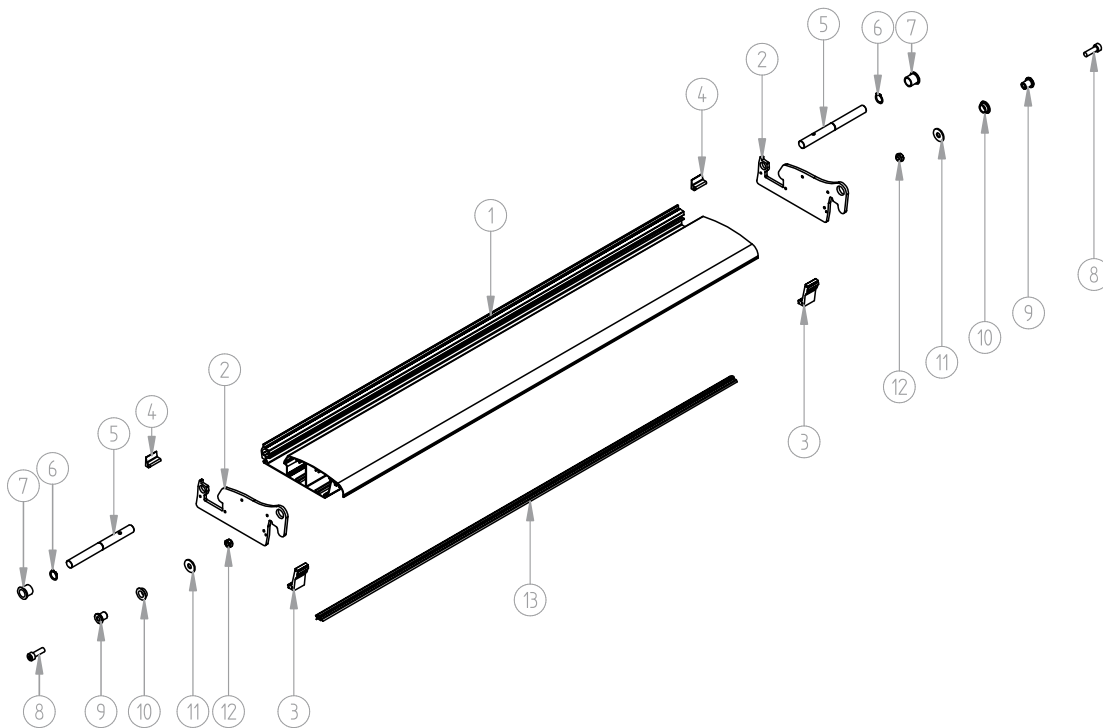
PR6000® system diagram and list of parts Diagram A

Diagram A - assembly drawing and list of parts of the motor system with the first slat.

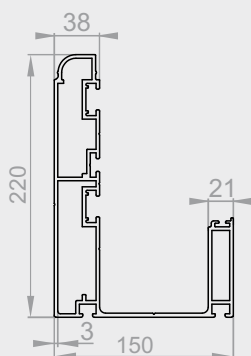
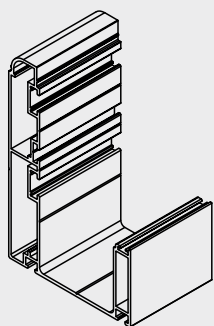


1.	PRP-180	The first fixed roof slat
2.	PRP-060	Octagonal tube
3.	PRT-230	Side end cap of the first fixed roof slat
4.		Ball bearings
5.	PRT-130	Holder ALU 70mm
6.	PRT-240	Slat motor holder
7.	PRT-300	Motor casing for the fixed slat
8.	PRT-290	R/LRight/left gantry plate to fix motor to the fixed slat
9.	PRT-280	R/LRight/left side motor plate for the fixed slat
10.	PRT-260	Small nut of the motor plate bracket – for the slats
11.	PRT-270	Large nut of the motor plate bracket – for the slats
12.	PRU-020	'A' type slat seal
13.	PRT-250	Slat motor bracket
14.	M8 NUT	M8 Self-locking Counter Nut
15.	23 WASHER	FI 8 WASHER
16.	PRD-070	Sliding sleeve 12 mm
17.	PRT-180	Threaded sleeve
18.	M8x25 SCREW	M8x25 Hex socket head screw
19.		Motor

Diagram B - assembly drawing and list of parts of other slats.

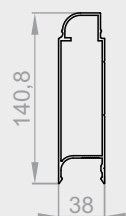
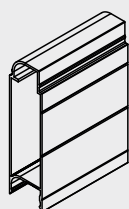


1.	PRP-080	Roof slat
2.	PRT-020	Side end cap of the roof slat
3.	PRD-020	Roof slat seal – large
4.	PRD-010	Roof slat seal – small
5.	PRT-150	Mandrel of the slats
6.		External stop collar Fi 14
7.	PRD-060	Sliding sleeve 14 mm
8.	ŚRUBA M8x25	M8x25 Hex socket head screw
9.	PRT-180	Threaded sleeve
10.	PRD-070	Sliding sleeve 12 mm
11.	PODKŁADKA 23	FI 8 WASHER
12.	NAKRETKA M8	M8 Self-locking Counter Nut
13.	PRU-020	'A' type slat seal



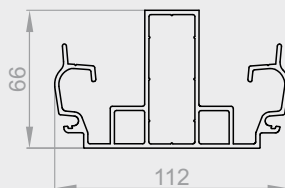
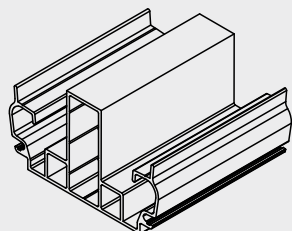
PRP-010

Side profile – gutter.



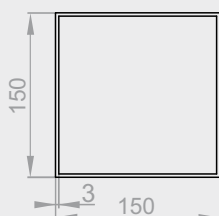
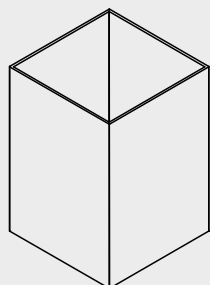
PRP-020

Gutter height adjustment profile.



PRP-030

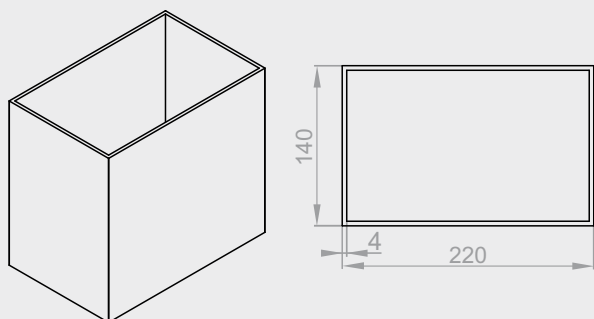
Roof bar.



PRP-040

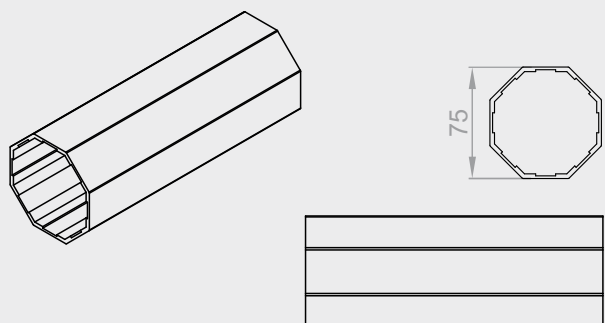
Load bearing column of pergola.





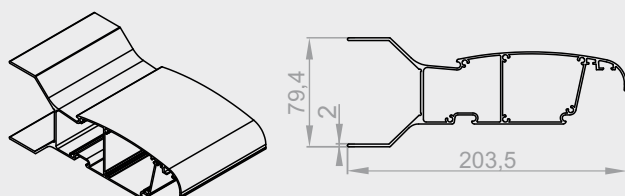
PRP-050

Double load bearing column of pergola.



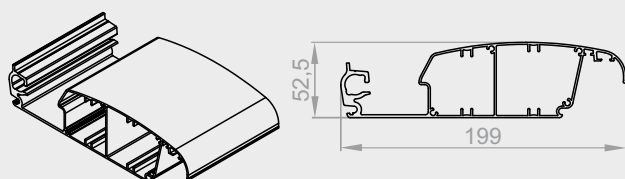
PRP-060

Octagonal tube.



PRP-070

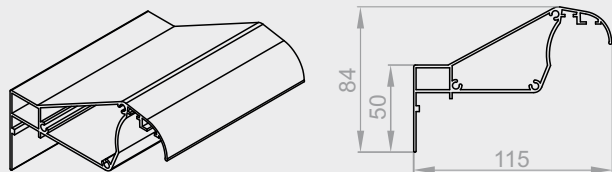
The first roof slat.



PRP-080

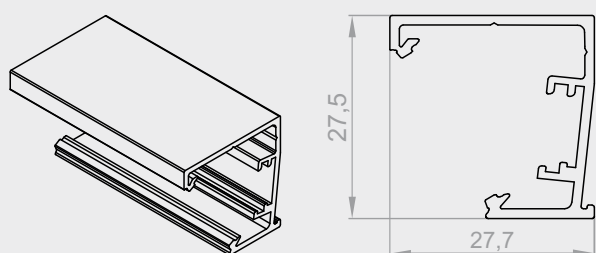
Roof slat.





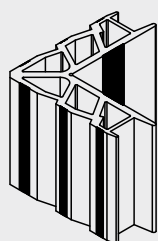
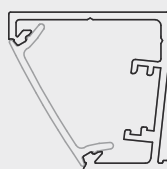
PRP-180

The first fixed roof slat.



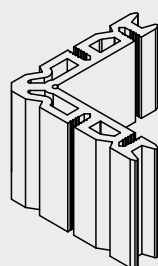
PRP-130

LED lighting profile.



PRP-140

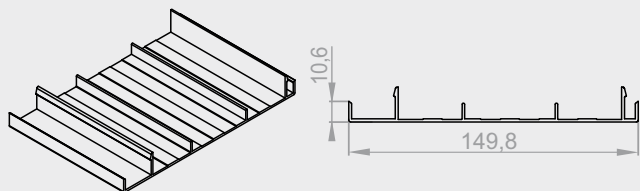
Gutter corner bracket.



PRP-150

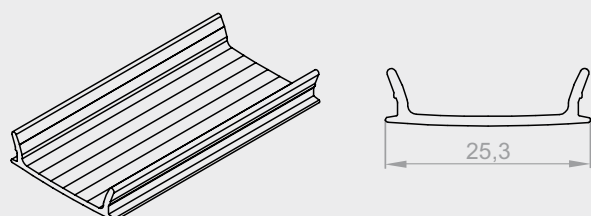
Internal gutter corner bracket.





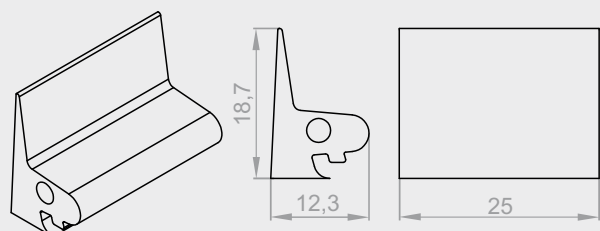
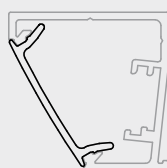
PRP-160

Gutter bottom masking profile.



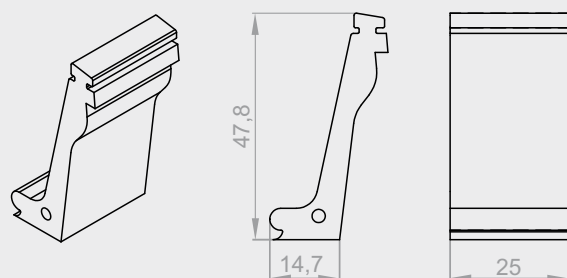
PRP-200

Casing of LED lighting profile.



PRD-010

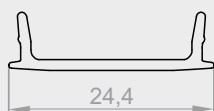
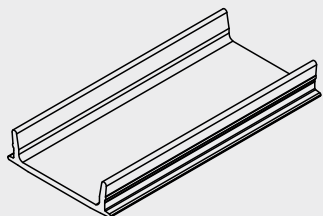
Roof slat seal.



PRD-020

Large roof slat seal.





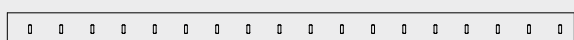
PRD-030

Casing of LED lighting.



PVC

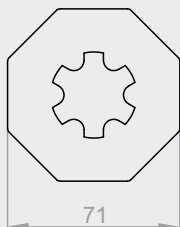
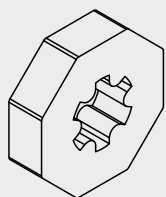
1m
0,059kg



PRE-050

LED lighting profile.

1pc
0,001kg

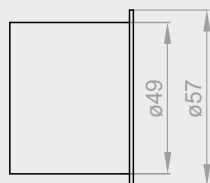
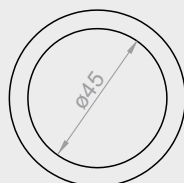
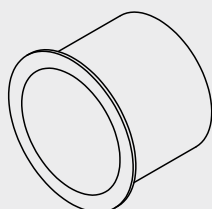


PRD-040

Drive 70 mm.

ALU

1pc
0,176kg

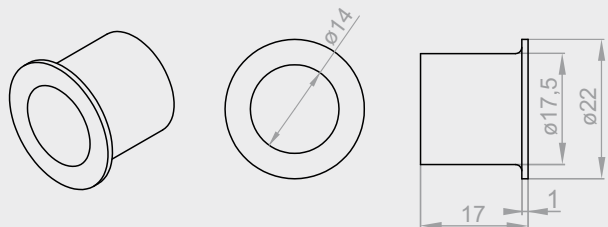


PRD-050

Water discharge sleeve.

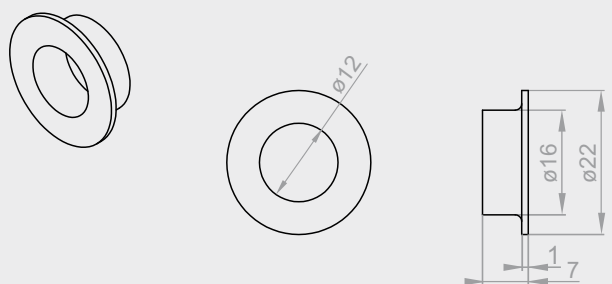
PVC

1pc
0,018kg



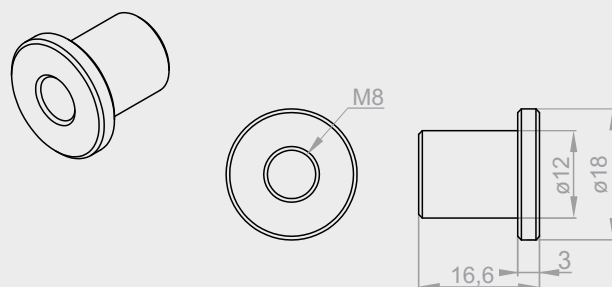
PRD-060

Sliding sleeve 14 mm.



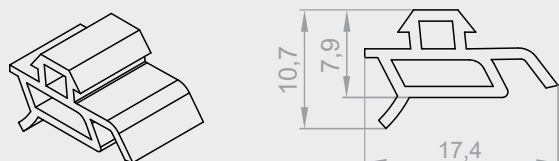
PRD-070

Sliding sleeve 12 mm.



PRT-180

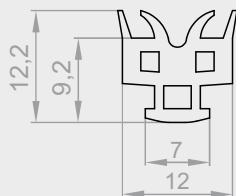
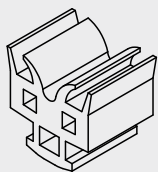
Threaded sleeve.



PRU-020

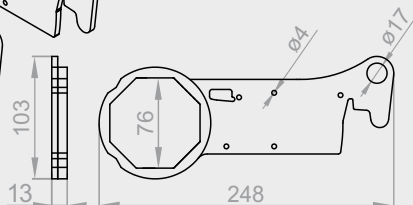
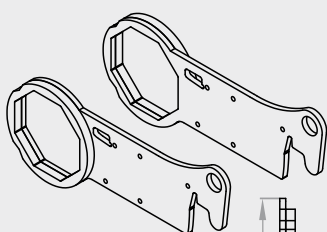
'A' type slat seal.





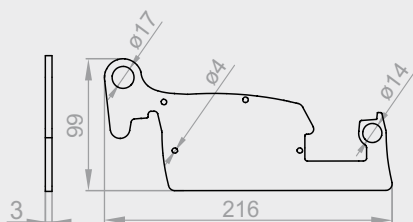
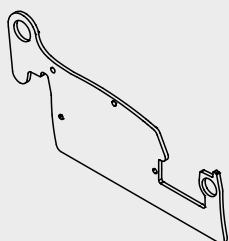
PRU-040

'B' type gutter seal.



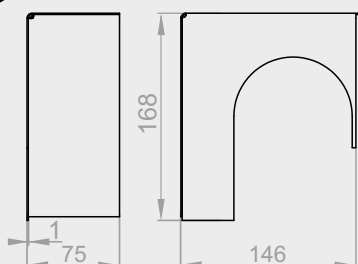
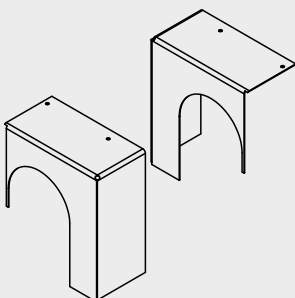
PRT-010 P/L

Right/left side end cap of the first roof slat.



PRT-020

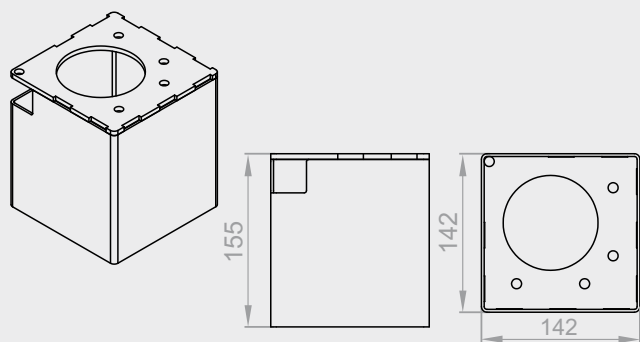
Side end cap of the roof slat.



PRT-030 P/L

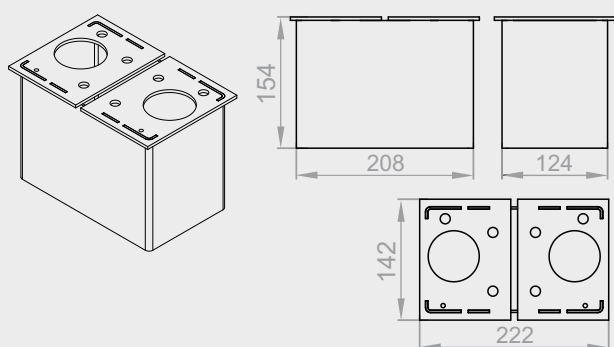
Right/left motor cover.





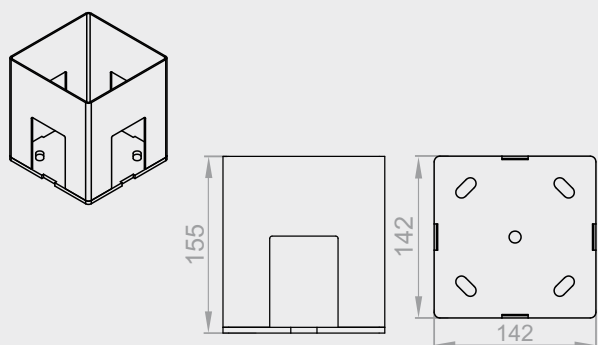
PRT-050

Upper column bracket.



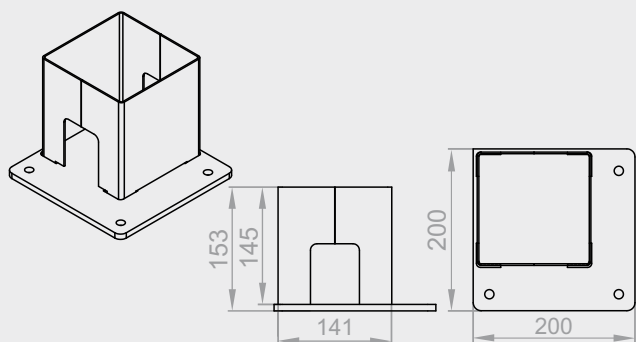
PRT-320

Double upper column bracket.



PRT-060

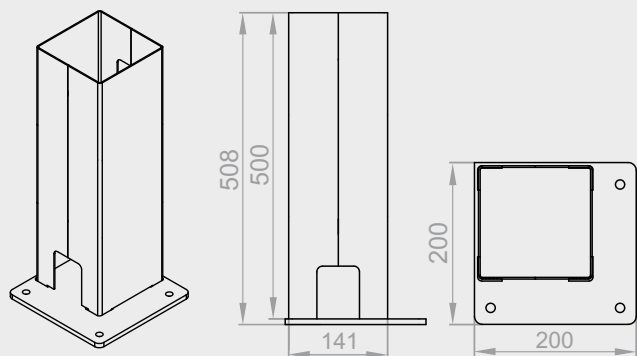
Bottom column bracket.



PRT-190

Bottom column bracket with a gantry plate.



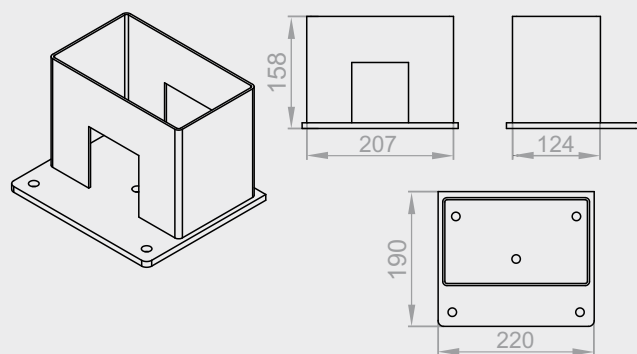


PRT-210

High bottom column bracket with a gantry plate.

STEEL

1pc
8,10kg

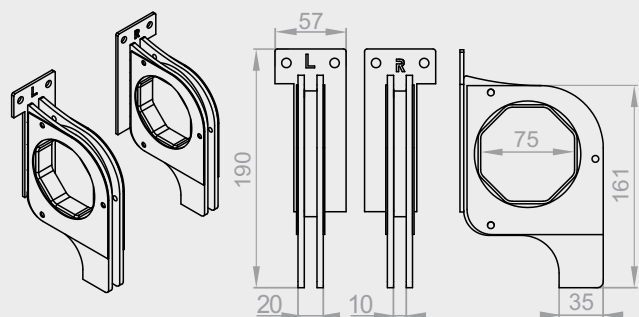


PRT-310

Double bottom column bracket.

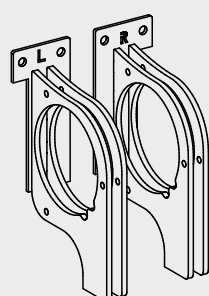
STEEL

1pc
4,53kg



PTRK-010 P/L

Right/left safety chuck for the octagonal tube.



PRT-040 L+P

Octagonal tube mounting bracket.



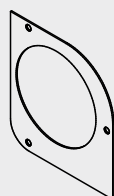
PRT-070

Octagonal tube bearings.



PRT-080

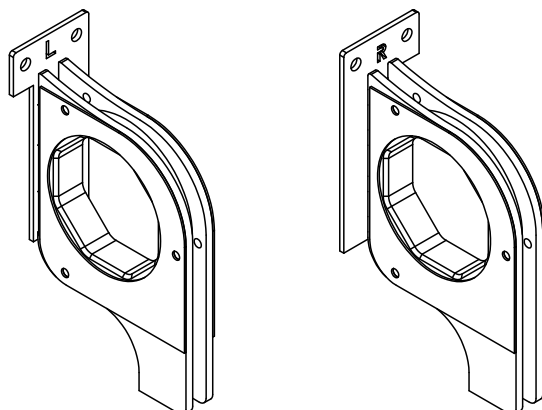
Octagonal ring.

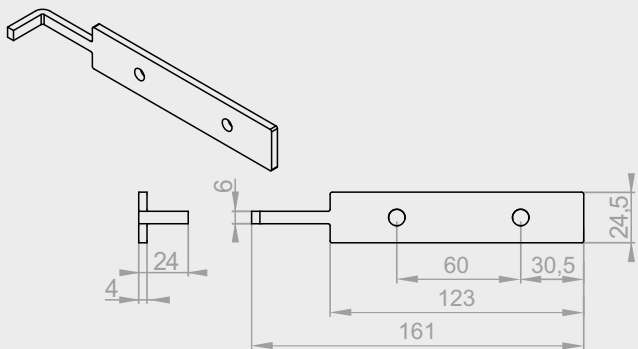


PRT-170 - 2 pieces for the set

Side metal sheet of the octagonal tube mounting bracket.

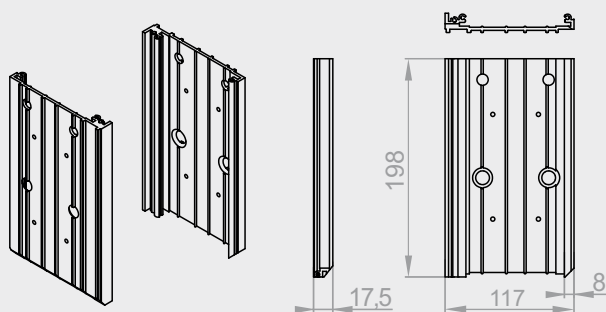
View of folded safety chuck for the octagonal tube **PTRK-010**:





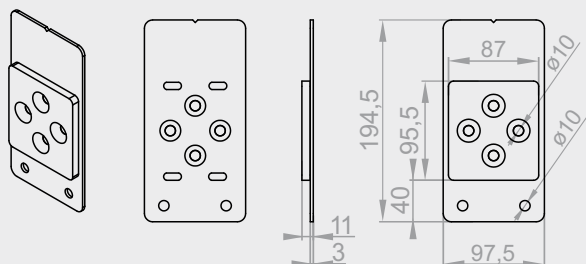
PRT-090

Nut of the motor plate bracket.



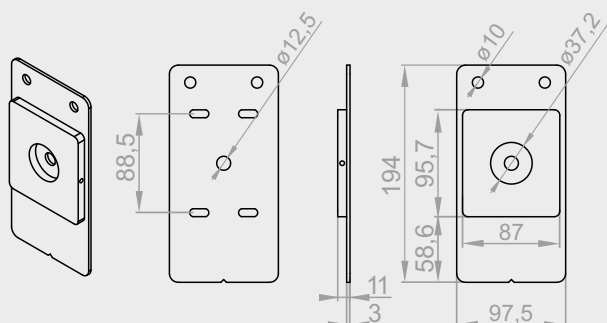
PRT-100 P/L

Right/left motor plate bracket.



PRT-110

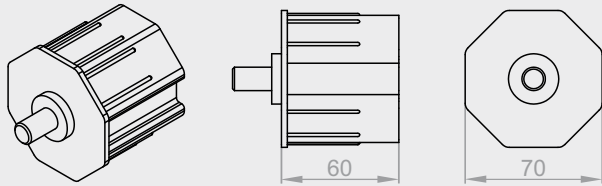
Motor gantry plate.



PRT-120

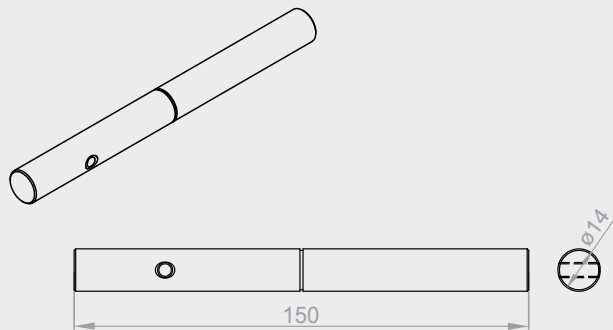
Side motor plate.





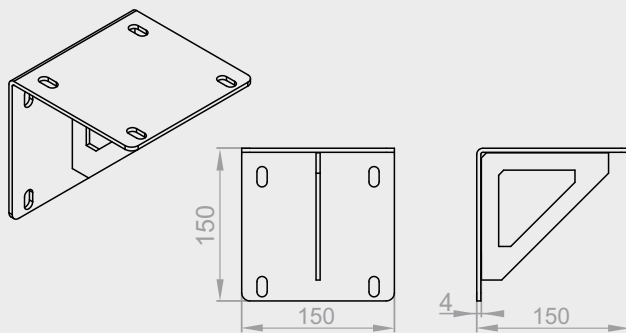
PRT-130

Holder ALU 70mm.



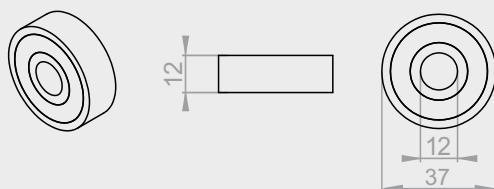
PRT-150

Mandrel of the slats.



PRT-160

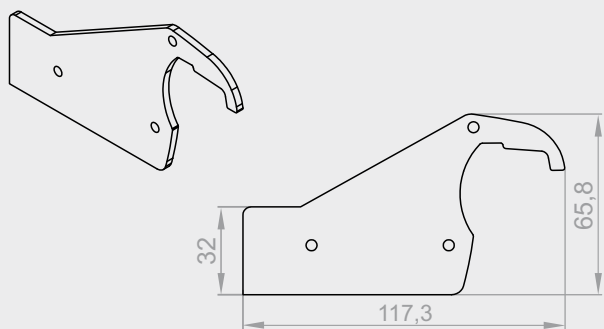
Wall mount bracket.



PRT-200

Ball bearings 6301 ZZ 12x37x12.



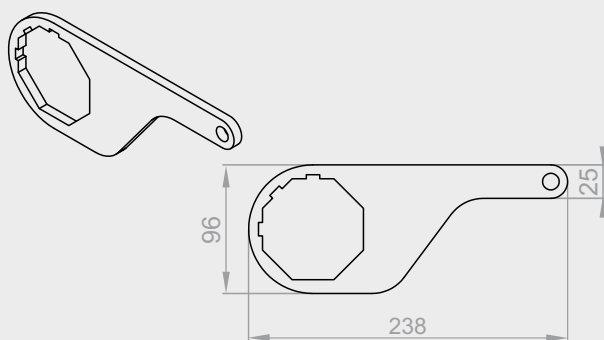


PRT-230

Side end cap of the first fixed roof slat.

STEEL

1pc
0,1kg

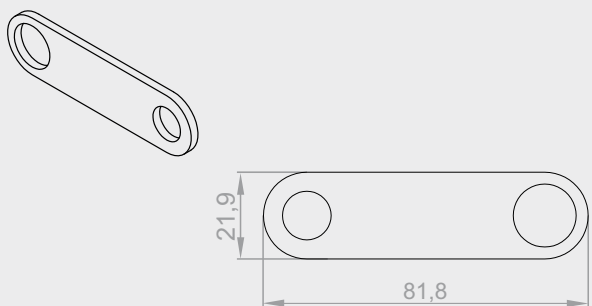


PRT-240

Slat motor holder.

STEEL

1pc
0,59kg

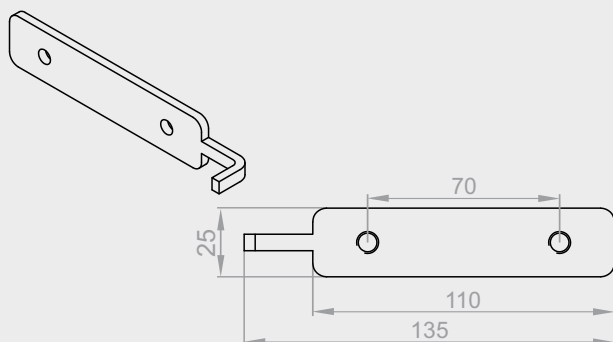


PRT-250

Slat motor bracket.

STEEL

1pc
0,03kg

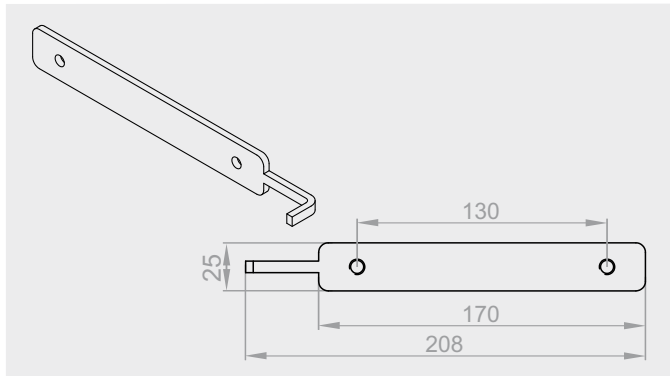


PRT-260

Small nut of the motor plate bracket - for the slats.

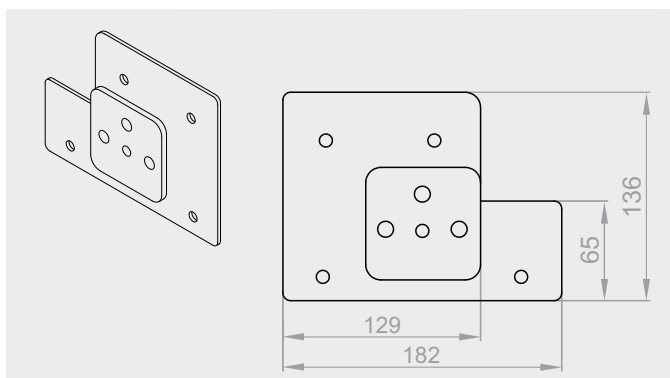
STEEL

1pc
0,09kg



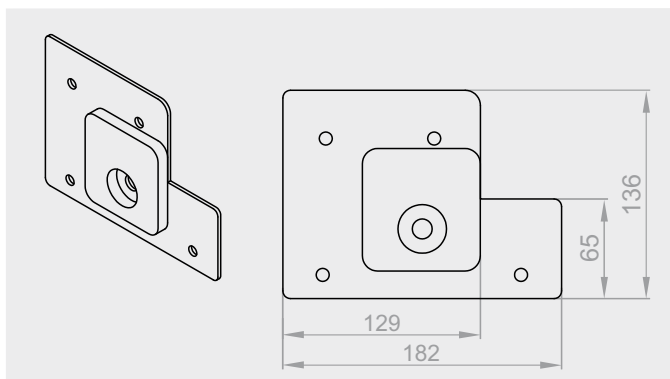
PRT-270

Large nut of the motor plate bracket – for the fixed slat.



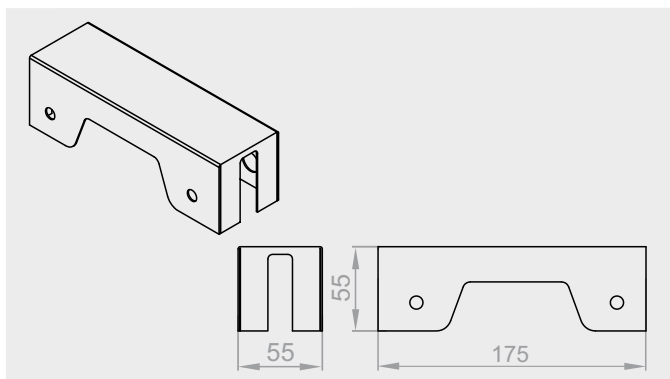
PRT-280 P/L

Right/left side motor plate for the fixed slat.



PRT-290 P/L

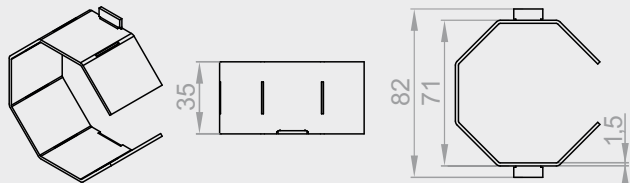
Right/left gantry plate to fix the motor to the fixed slat.



PRT-300

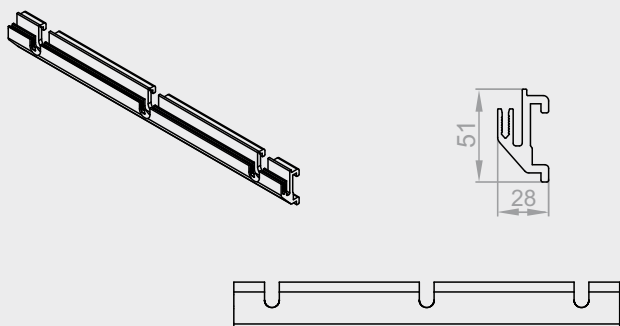
Motor casing for the fixed slat.





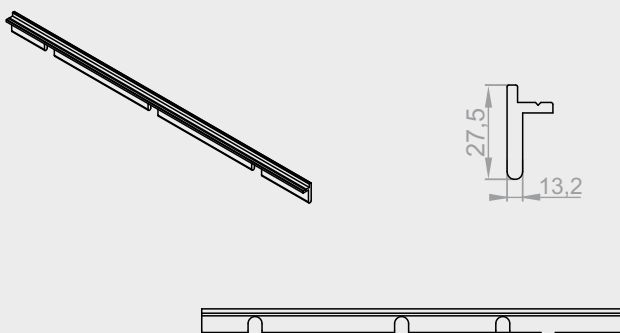
PRT-140

Octagonal motor adapter.



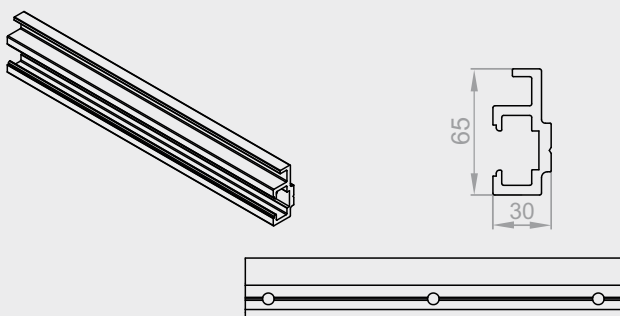
PRP-110

Slat fixing profil.



PRP-120

Protective profile for the slats.

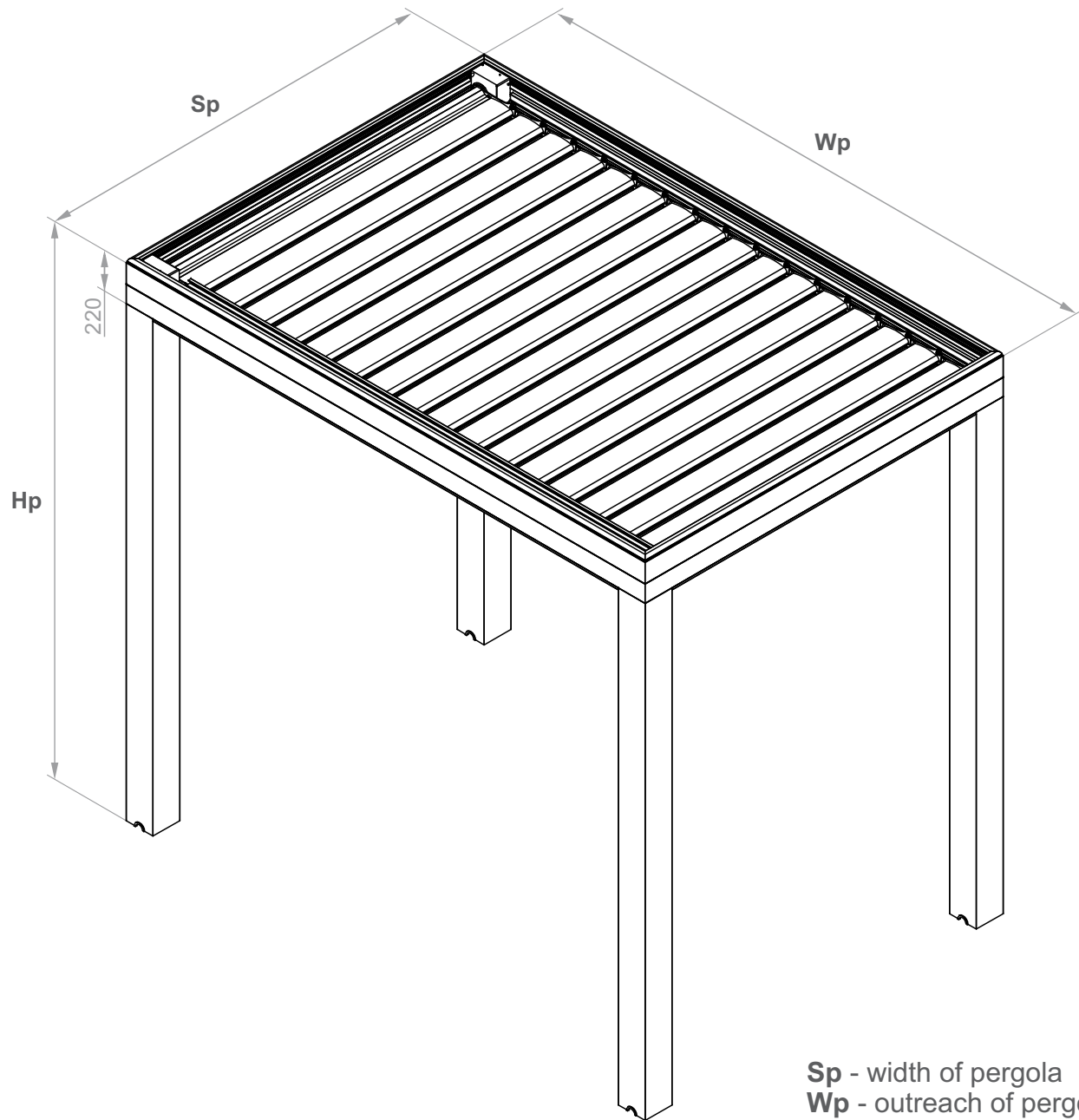


PRP-100

Slat bracket profile.

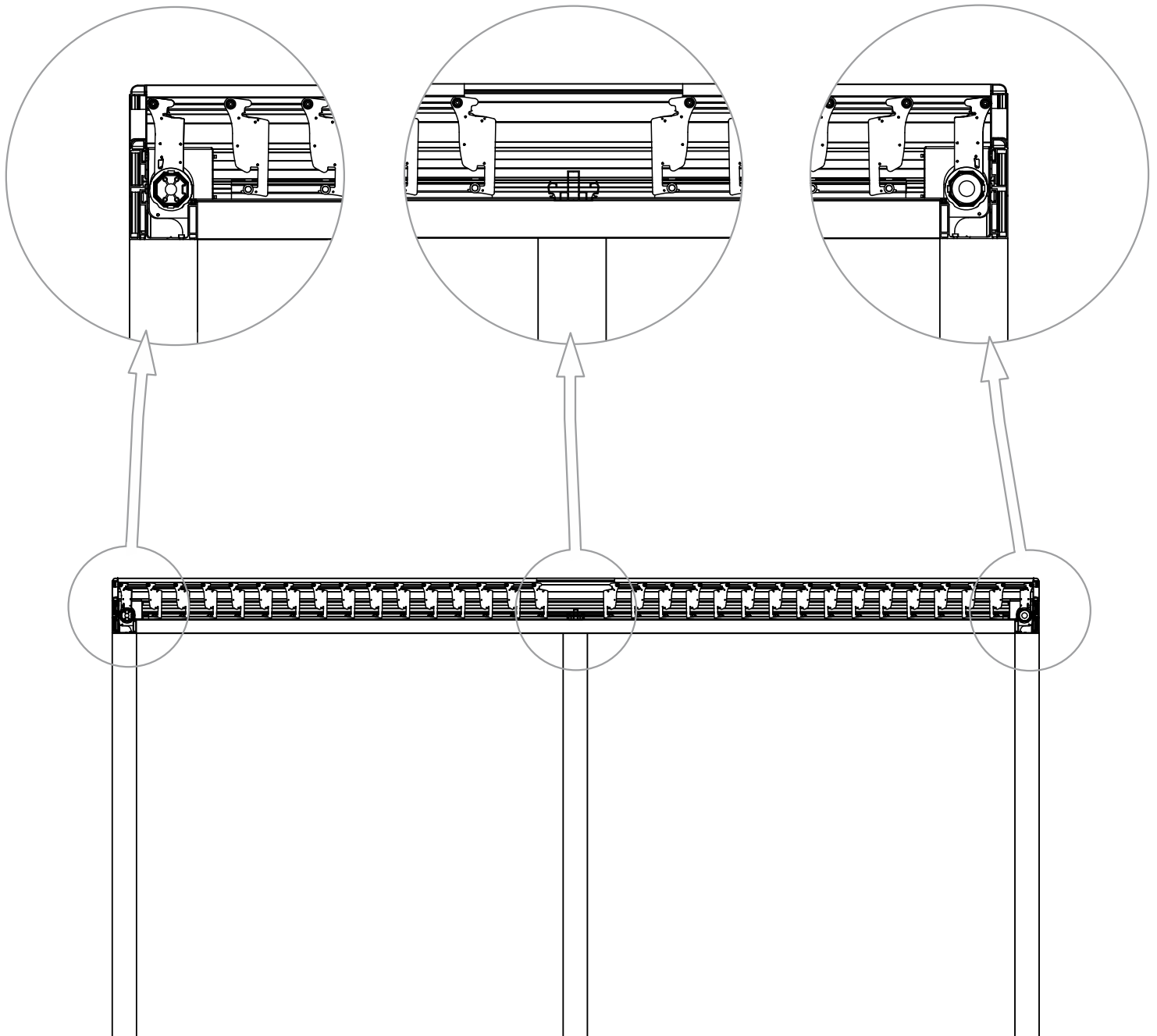


Dimensioning of PR6000 pergola



PR6000® Pergola Pergola with two motors

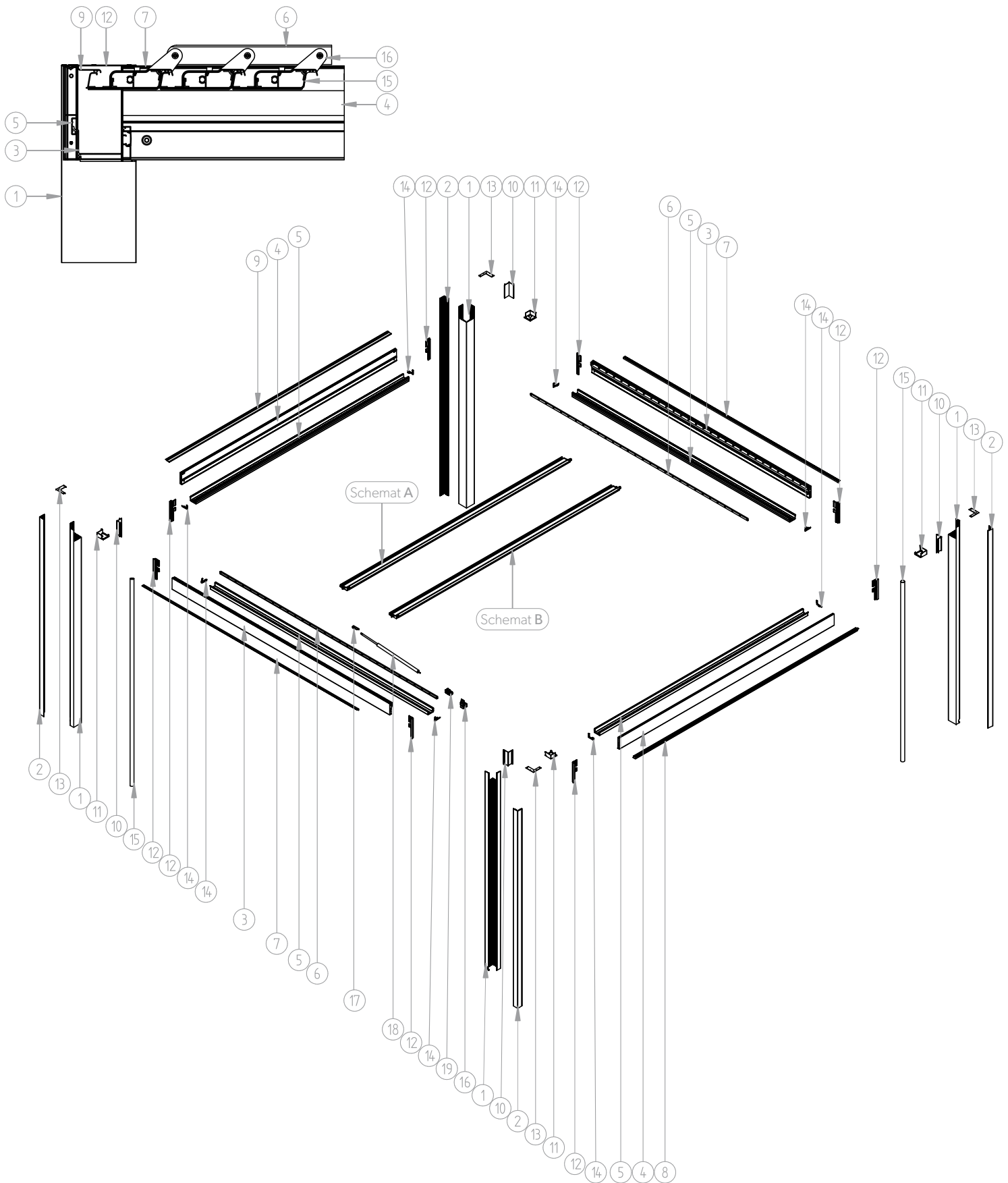
Cross-section of pergola with two motors



PR6000[®] Lite



PR6000® Light system diagram and list of parts Standalone

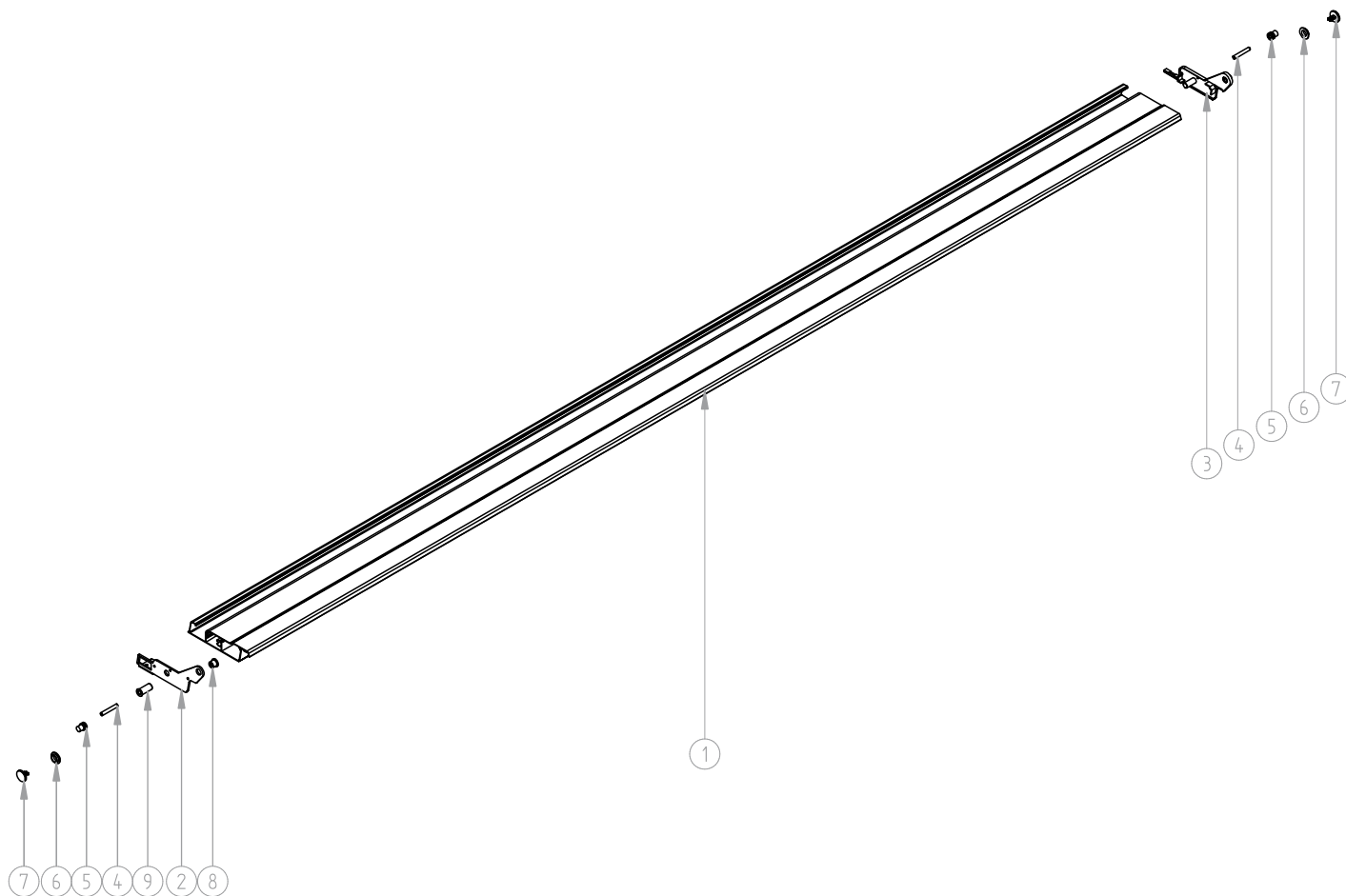


PR6000® LITE Standalone - list of parts

1.	PWP-070	Load bearing column
2.	PWP-080	External casing of the column
3.	PWP-030	Side frame – outreach
	PWP-030 S	Side frame – Motor outreach
4.	PWP-020	Side frame width
5.	PWP-010	Gutter bottom profile
6.	PWP-090	Slat bracket profile
7.	PWP-110	Upper end cap (outreach)
8.	PWP-050	The first fixed slat
9.	PWP-040	The last fixed slat
10.	PWP-140	Corner bracket connector
11.	PWU-010	Corner seal
12.	PWP-130	Right/left corner bracket
13.	PWT-040	Upper end cap of the column
14.	PWD-070	Bottom end cap of the gutter – width
	PWD -080	Bottom end cap of the gutter – outreach – left/right
15.		Water discharge pipe
16.	PWP-160	Mounting bracket to fix the motor to the gutter
17.	PWT-070 L/P	Mounting bracket to fix the motor to the slat
18.		Motor

PR6000® Lite system diagram and list of parts Diagram A

Diagram A - assembly drawing and list of parts of the first slat.

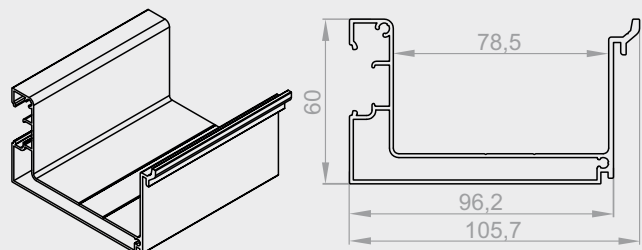


1.	PWP-060	Roof slat
2.	PWT-060	Bracket to connect slats to the motor
3.	PWD-010 L/P	Left/right side end cap of the slat
4.	PWT-010	Roll shaft 6 mm
5.	PWD-020	Slat mandrel
6.	PWD-050	Sleeve 12 mm
7.	PWD-060	Slat clamping system
8.	PWD-040	Ratchet Sleeve 12 mm for slats with a motor
9.	PWD-030	Sleeve for fastening driven lamella

Diagram B - assembly drawing and list of parts of other slats.

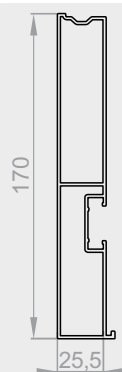
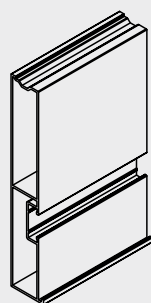


1.	PWP-060	Roof slat
2.	PWD-010 L/P	Left/right side end cap of the slat
3.	PWT-010	Roll shaft 6 mm
4.	PWD-020	Slat mandrel
5.	PWD-050	Sleeve 12 mm
6.	PWD-060	Slat clamping system



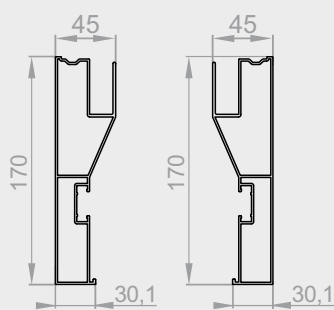
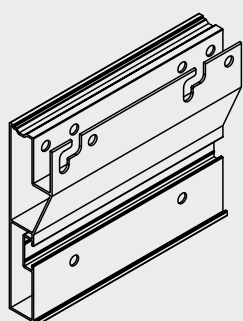
PWP-010

Bottom profile – gutter.



PWP-020

Side frame – width.



PWP-030 S

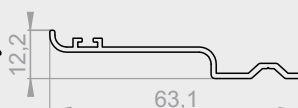
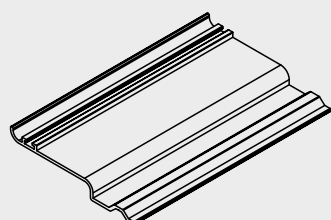
PWP-030

PWP-030

Side frame – outreach.

PWP-030 S

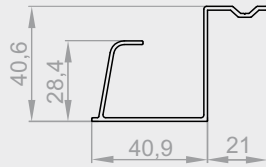
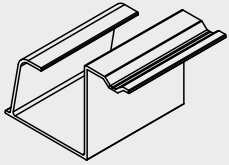
Side frame – Motor outreach.



PWP-040

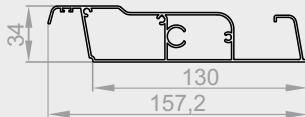
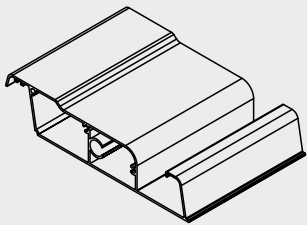
The last fixed slat.





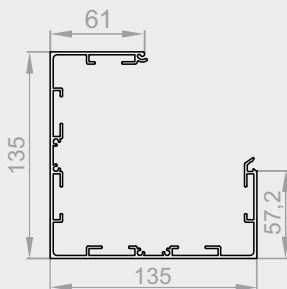
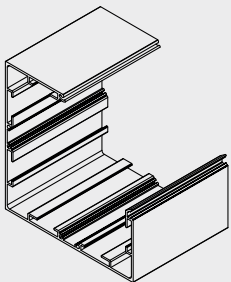
PWP-050

The first fixed slat.



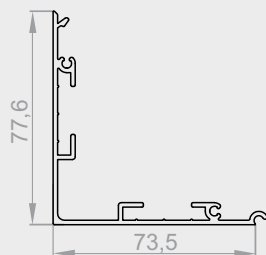
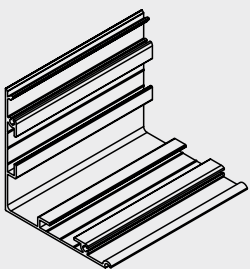
PWP-060

Roof slat.



PWP-070

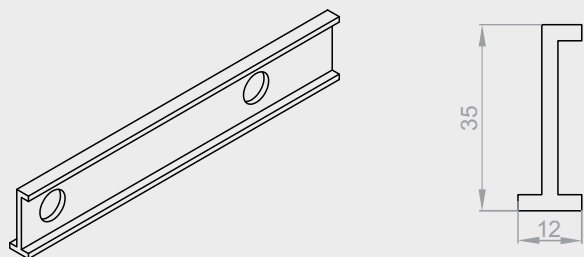
Load bearing column.



PWP-080

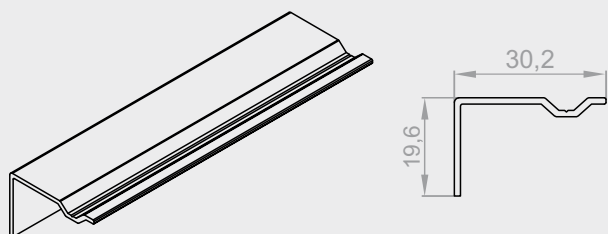
External casing of the column.





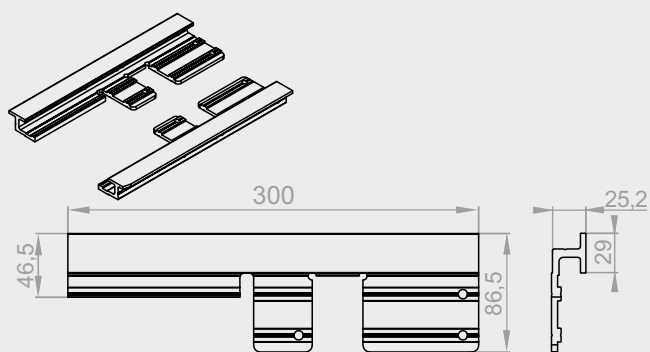
PWP-090

Slat bracket profile.



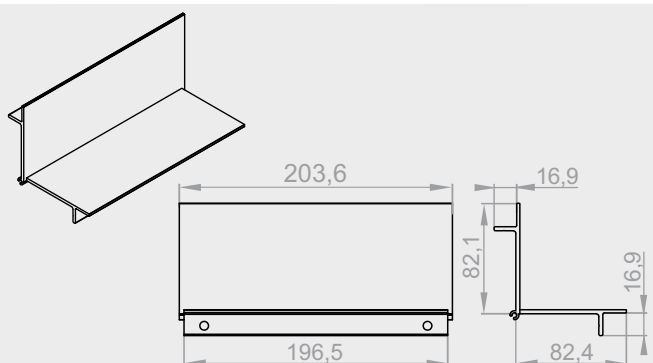
PWP-110

Upper end cap (outranch).



PWP-130 L/P

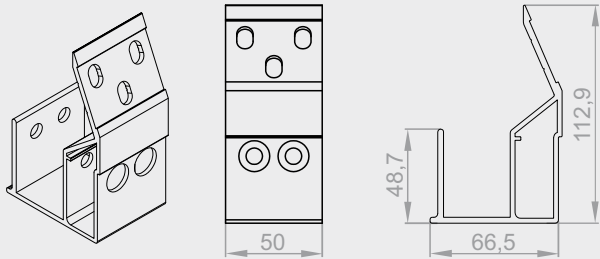
Left/right corner bracket.



PWP-140

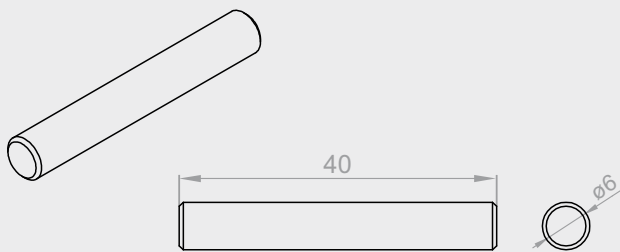
Corner bracket connector.





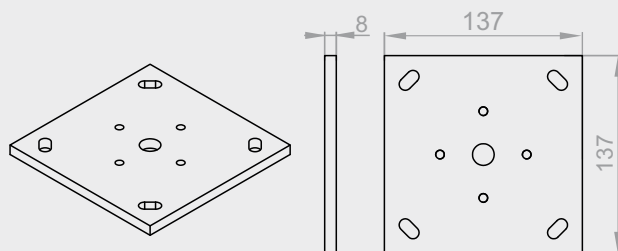
PWP-160

Mounting bracket to fix the motor to the gutter.



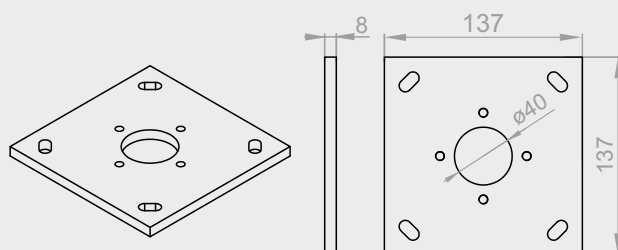
PWT-010

Roll shaft 6 mm.



PWT-090

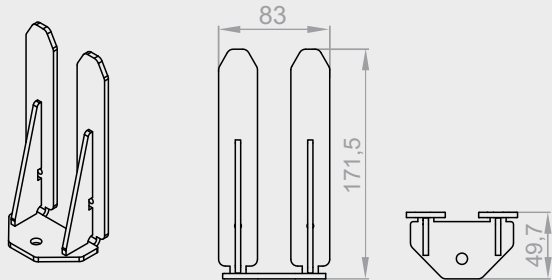
Column base bracket.



PWT-020

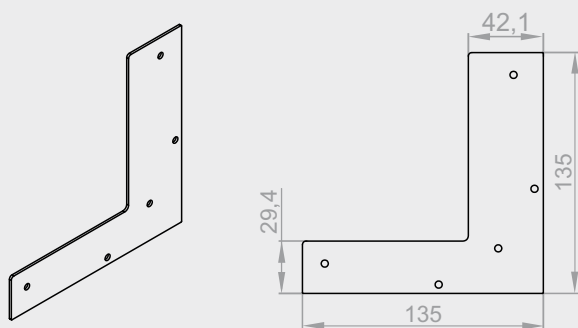
Column base bracket with 40 mm hole.





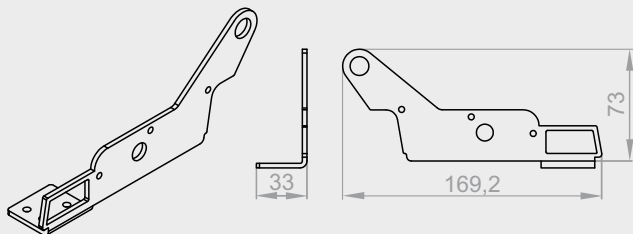
PWT-030

Column bracket.



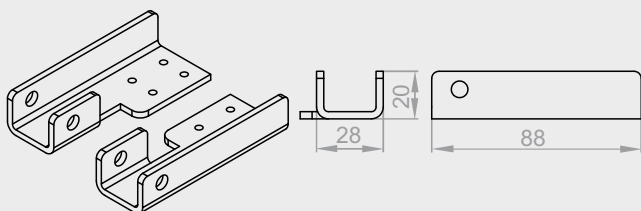
PWT-040

Upper end cap of the column.



PWT-060

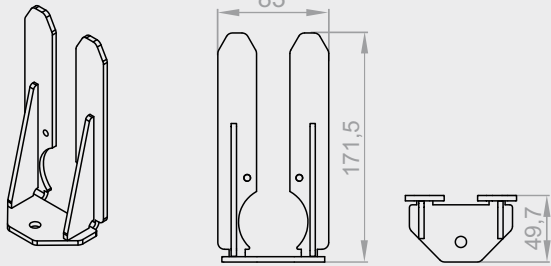
Bracket to connect slats to the motor.



PWT-070 L/P

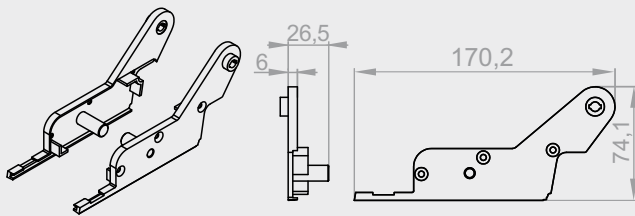
Left/right mounting bracket to fix the motor to the slats.





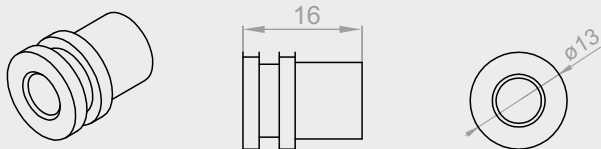
PWT-080

Column bracket with a drainage hole.



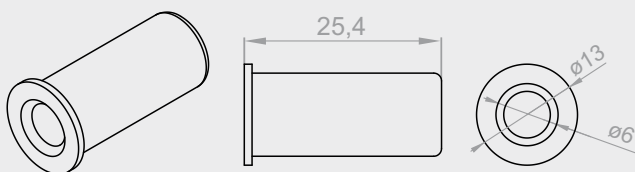
PWD-010 L/P

Left/right side end cap of the slat.



PWD-020

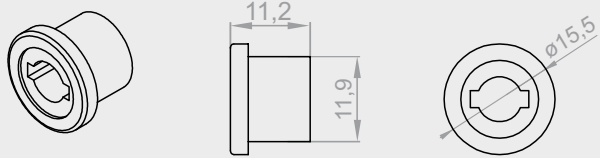
Slat mandrel.



PWD-030

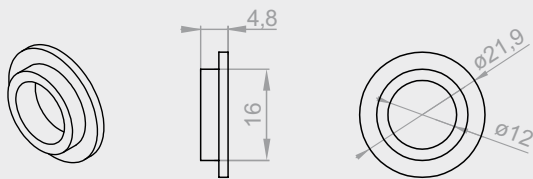
Sleeve for fastening driven lamella.





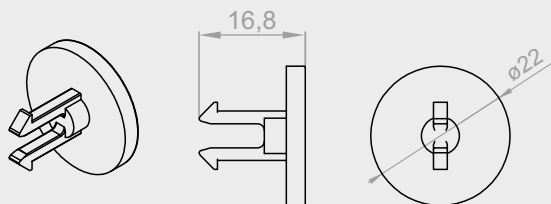
PWD-040

Ratchet Sleeve 12 mm for the motor-driven slats.



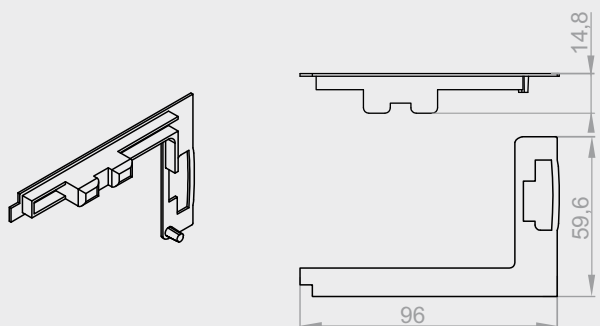
PWD-050

Sleeve 12 mm.



PWD-060

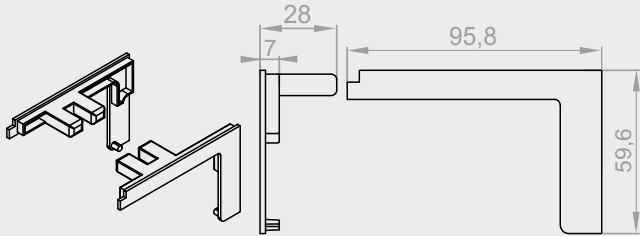
Slat clamping system.



PWD-070

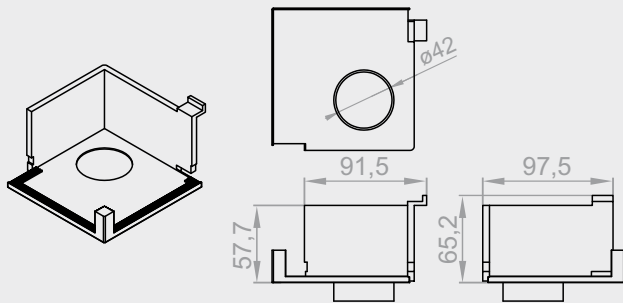
Bottom end cap of the gutter – width.





PWD-080 L/P

Left/right bottom end cap of the gutter (outreach).



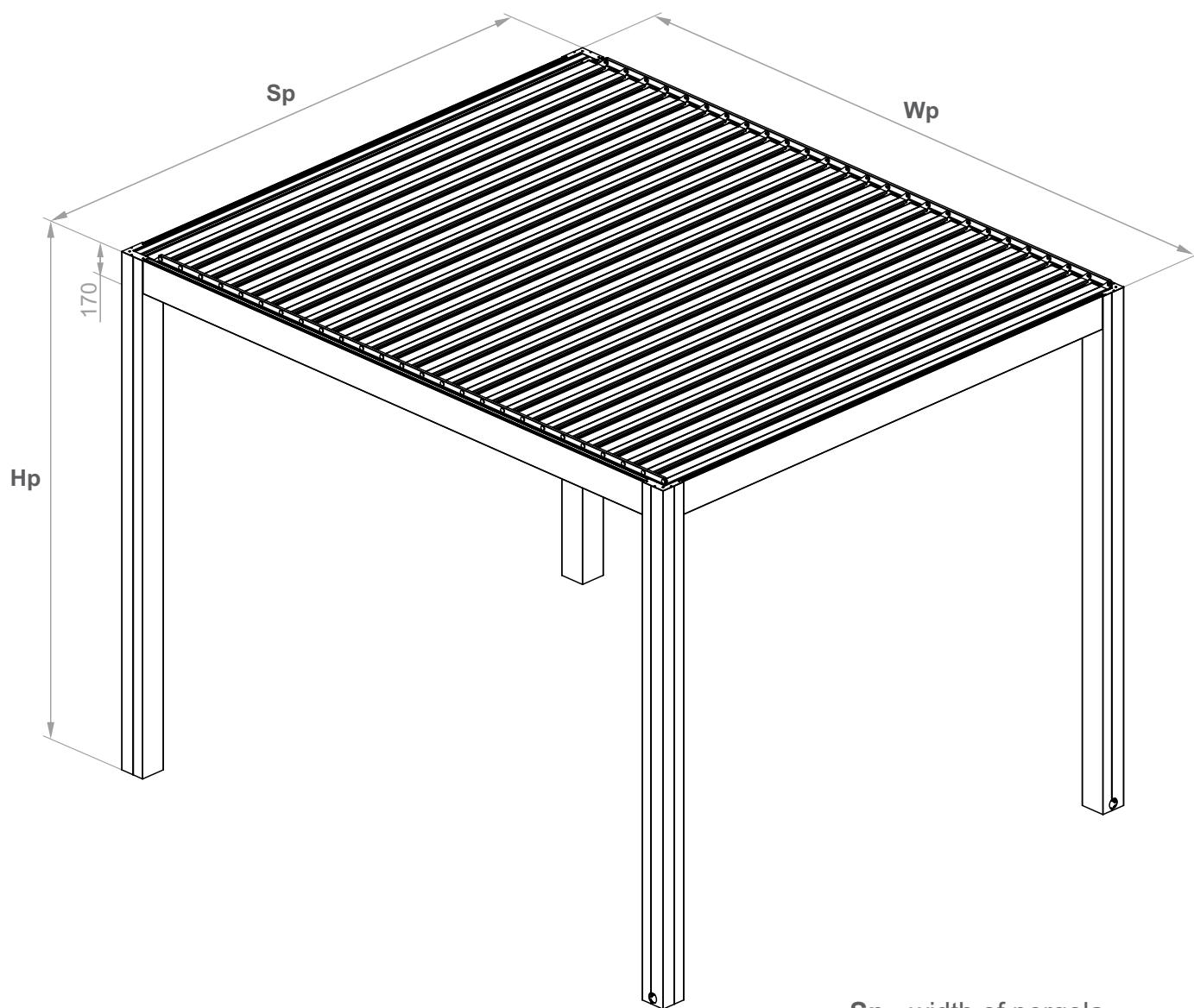
PWU-010 L/P

Left/right corner seal.



PR6000® Pergola Lite Dimensioning

Dimensioning of PR6000 pergola



Sp - width of pergola
Wp - outreach of pergola
Hp - height of pergola

