

Front mounted roller shutters

PORTOS **2000**®

TECHNICAL CATALOGUE



TABLE OF CONTENTS:

| | |
|--|----|
| Features and benefits of external systems | 2 |
| Box components | 3 |
| Sections and parts list ST2000 | 4 |
| Sections and parts list RL2000 | 8 |
| Sections and parts list OS2000 | 12 |
| Sections and parts list IT2000 | 16 |
| Sides | 20 |
| Components of ALU boxes | 22 |
| Additional components | 29 |
| Mosquito net | 42 |
| Curtain profiles, profile plugs | 45 |
| Bottom laths, additional components of the bottom lath | 48 |
| Guides, additional components of guides | 51 |
| Divisions | 57 |
| Assembly drawings - divisions | 67 |
| Assembly drawings - outputs of the tape | 80 |
| Assembly drawings - outputs of the cord and the cable | 81 |
| Assembly drawings - crank lifting mechanism | 82 |
| Assembly drawings - NHK installation | 84 |
| Assembly drawings – motor installation | 86 |
| Assembly drawings - guide installation | 87 |
| Assembly drawings - method of attaching latches and guide spacer strips | 89 |
| Assembly drawings - drilling holes in guides | 91 |
| Installation of the cylinder lock in the bottom lath | 92 |
| Recommended box sizes | 93 |
| Declaration of performance | 97 |



ST2000[®] with mosquito net

- + box cut at an angle of 45°
- + the roller shutter can be mounted on the wall without limiting the window light
- + the system is available in wood-like colors

RL2000[®] with mosquito net

- + roller shutter with rounded bottom component of the box
- + a perfect idea for the new facade
- + perfectly protects the rooms from excessive sunshine and heating



OS2000[®] with mosquito net

- + box with an attractive oval design made of bent sheet metal
- + perfectly protects against sun, wind, rain, snow and other atmospheric phenomena
- + ensures privacy and significantly affects the sense of security of the household members



ST2000, RL2000, OS2000, IT2000 are PORTOS trademarks.
All photos and drawings contained in the catalogue are for reference only.
The PORTOS company reserves the right to make changes. ©2025 PORTOS. All rights reserved.

IT2000

IT2000[®] with mosquito net



- + roller shutter perfectly matched to the color of your windows
- + the inspection cover located in the box is outside the building which allows for a clean and simple service operation
- + aesthetic appearance owing to the possibility of building up the box

LEGEND:



ST2000
RL2000
OS2000

The system for which the component is designed.



SKRZYNKA
137,165,205



SKRZYNKA
165

The size of the box for which the component is designed.



1mb
0,2kg



1szt
0,3kg

The indicative weight of the component (in kg).



Max.
6mb

The maximum length of a long component (given in meters).



ALU



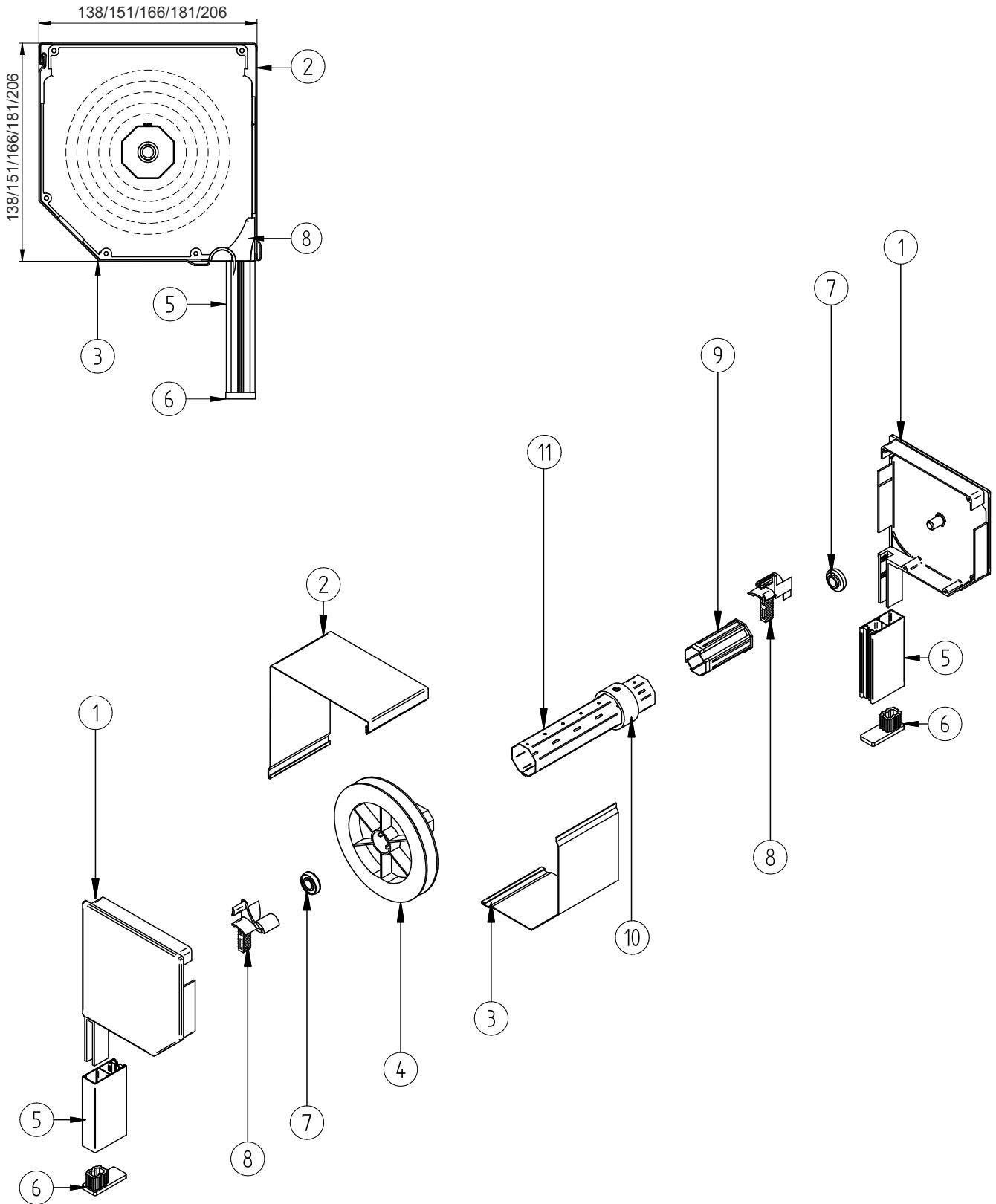
PVC

The material used to make a component (e.g. PVC, aluminium, etc.).



The component with a veneering option.

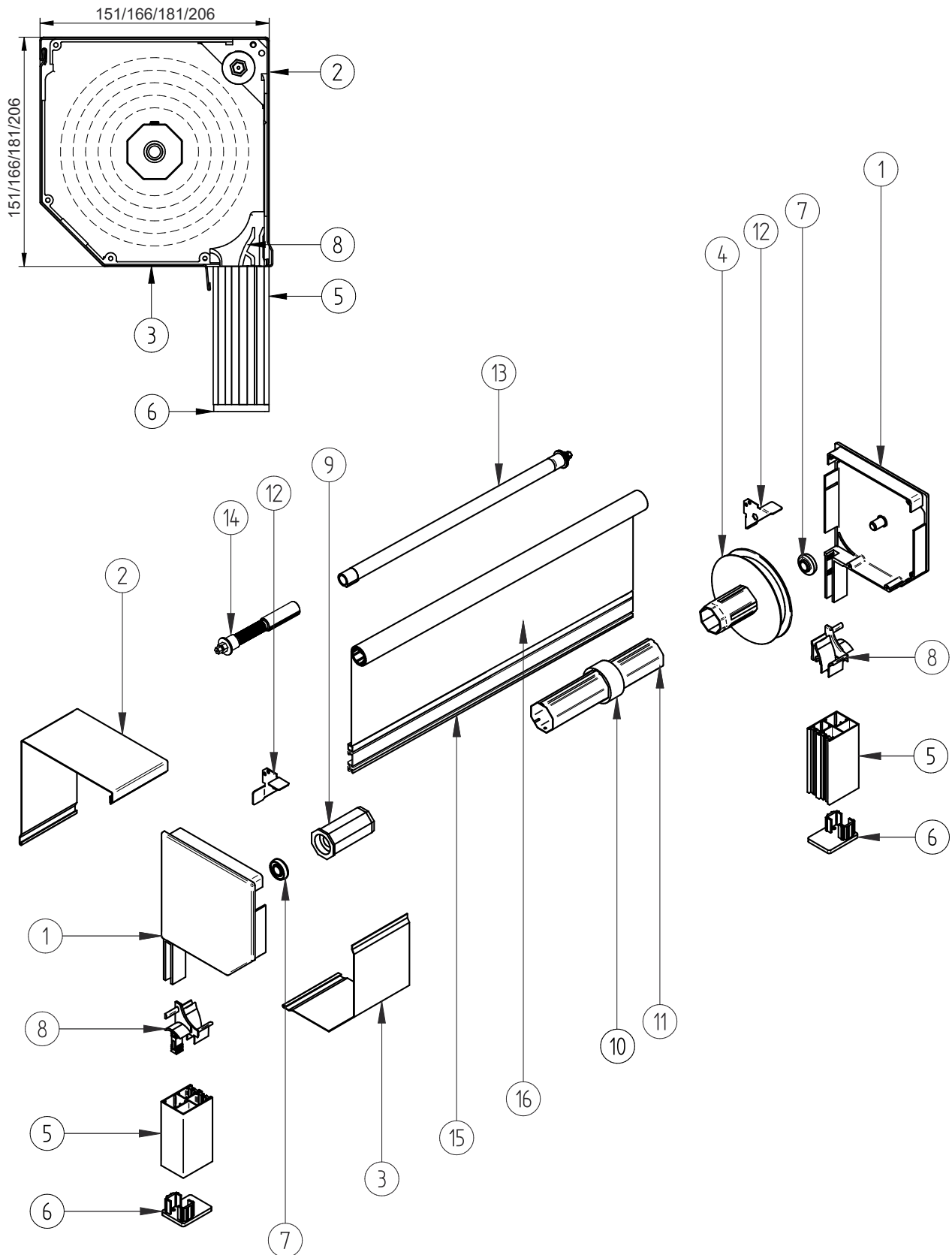
Components of the ST2000® system
 Box 137, 150, 165, 180, 205 - cross section and parts list



ST2000® - cross-section and parts list

| | | | |
|-----|------------|---|------------|
| 1. | BS-137 L/R | Side of the box | ST2000 137 |
| | BS-150 L/R | Side of the box | ST2000 150 |
| | BS-165 L/R | Side of the box | ST2000 165 |
| | BS-180 L/R | Side of the box | ST2000 180 |
| | BS-205 L/R | Side of the box | ST2000 205 |
| 2. | SK-137G | Box 137 top | |
| | SK-150G | Box 150 top | |
| | SK-165G | Box 165 top | |
| | SK-180G | Box 180 top | |
| | SK-205G | Box 205 top | |
| 3. | SK-137D | Box ST2000 137 bottom | |
| | SK-150D | Box ST2000 150 bottom | |
| | SK-165D | Box ST2000 165 bottom | |
| | SK-180D | Box ST2000 180 bottom | |
| | SK-205D | Box ST2000 205 bottom | |
| 4. | KNO-40-137 | Wheel of the roller for box 137 | |
| | KNO-40-150 | Wheel of the roller for box 150 | |
| | KNO-40-165 | Wheel of the roller for box 165 | |
| | KNO-40-180 | Wheel of the roller for boxes 180 and 205 | |
| 5. | PP-53 | Single guide | |
| 6. | P-53 | Plug for aluminium guides PP-53 | |
| 7. | LO 28/12 | Bearing for ALU | |
| 8. | SPP L/P | Profile blade slider | |
| 9. | OBS-40 | Mounting for ø 40 pipe | |
| | OBS-60 | Mounting for ø 60 pipe | |
| 10. | PZ40/50 | Expansion ring | |
| | PZ60/70 | Expansion ring | |
| 11. | SW 40 | Octagonal pipe ø 40 | |
| | SW 60 | Octagonal pipe ø 60 | |

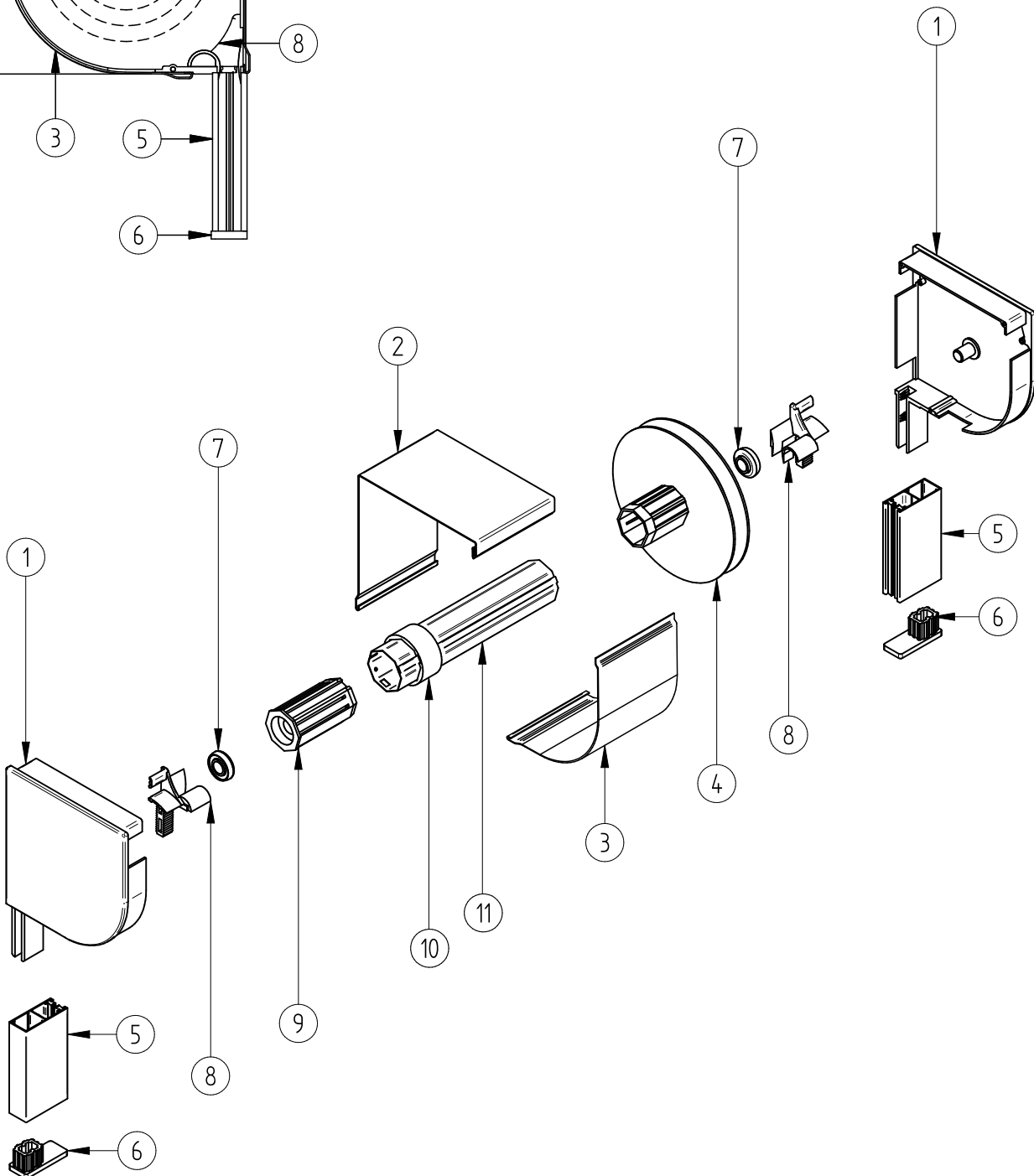
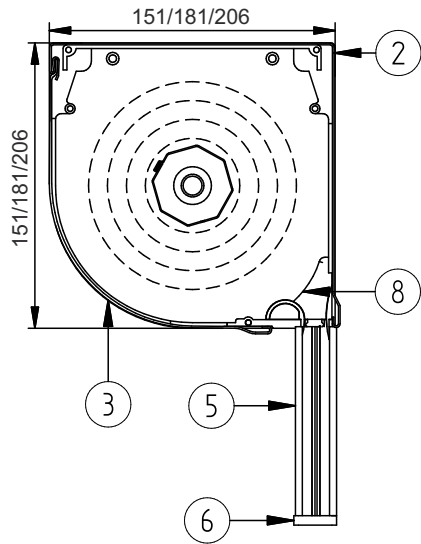
Components of the ST2000[®] system with mosquito net Box 150, 165, 180, 205 - cross section and parts list



ST2000[®] with mosquito net - cross-section and parts list

| | | |
|-----|--------------|---|
| 1. | BS-150 L/R | Side of the box ST2000 150 |
| | BS-165 L/R | Side of the box ST2000 165 |
| | BS-180 L/R | Side of the box ST2000 180 |
| | BS-205 L/R | Side of the box ST2000 205 |
| 2. | SK-150G | Box 150 top |
| | SK-165G | Box 165 top |
| | SK-180G | Box 180 top |
| | SK-205G | Box 205 top |
| 3. | SK-150DM | Box ST2000 150 bottom for mosquito net |
| | SK-165DM | Box ST2000 165 bottom for mosquito net |
| | SK-180DM | Box ST2000 180 bottom for mosquito net |
| | SK-205DM | Box ST2000 205 bottom for mosquito net |
| 4. | KNO-40-150 | Wheel of the roller for box 150 |
| | KNO-40-165 | Wheel of the roller for box 165 |
| | KNO-40-180 | Wheel of the roller for boxes 180 and 205 |
| 5. | PPDM-53 | ALU double guide for mosquito net |
| 6. | P-53M | Plug for aluminium guides PPDM-53 |
| 7. | LO 28/12 | Bearing for ALU |
| 8. | SPPM L/P | Profile blade slider |
| 9. | OBS-40 | Mounting for \varnothing 40 pipe |
| | OBS-60 | Mounting for \varnothing 60 pipe |
| 10. | PZ40/50 | Expansion ring |
| | PZ60/70 | Expansion ring |
| 11. | SW 40 | Octagonal pipe \varnothing 40 |
| | SW 60 | Octagonal pipe \varnothing 60 |
| 12. | M-RZ-040 | Mosquito net handle in the front mounted roller shutter |
| 13. | M-RZ-200 | Mosquito net handle in the front mounted roller shutter |
| 14. | M-RZ-210 | Slowing system for mosquito net in the front mounted roller shutter |
| 15. | LDM-41x8 CH | Bottom lath for mosquito net |
| 16. | MOS FI23 1,7 | Mosquito net on the pipe \varnothing 23 1,7 |
| | MOS FI23 2,6 | Mosquito net on the pipe \varnothing 23 2,6 |

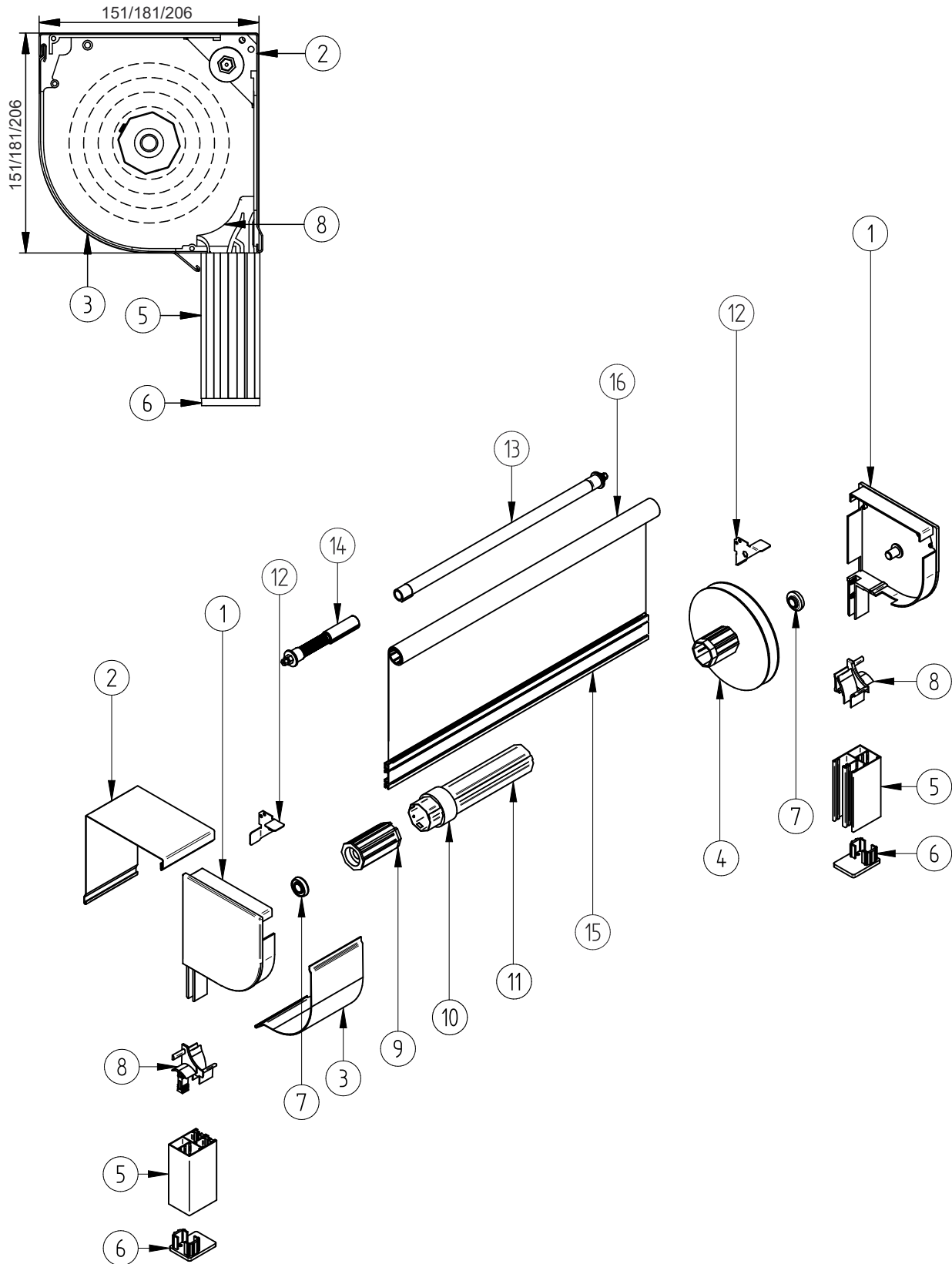
Components of the RL2000® system Box 150, 180, 205 - cross section and parts list



RL2000® - cross-section and parts list

| | | |
|-----|-------------------|---|
| 1. | BS-150 RL2000 L/R | Box side RL2000 150 |
| | BS-180 RL2000 L/R | Box side RL2000 180 |
| | BS-205 RL2000 L/R | Box side RL2000 205 |
| 2. | SK-150G | Box 150 top |
| | SK-180G | Box 180 top |
| | SK-205G | Box 205 top |
| 3. | SK-150D RL2000 | Box RL2000 150 bottom |
| | SK-180D RL2000 | Box RL2000 180 bottom |
| | SK-205D RL2000 | Box RL2000 205 bottom |
| 4. | KNO-40-150 | Wheel of the roller for box 150 |
| | KNO-40-180 | Wheel of the roller for boxes 180 and 205 |
| 5. | PP-53 | Single guide |
| 6. | P-53 | Plug for aluminium guides PP-53 |
| 7. | LO 28/12 | Bearing for ALU |
| 8. | SPP L/P | Profile blade slider |
| 9. | OBS-40 | Mounting for ø 40 pipe |
| | OBS-60 | Mounting for ø 60 pipe |
| 10. | PZ40/50 | Expansion ring |
| | PZ60/70 | Expansion ring |
| 11. | SW 40 | Octagonal pipe ø 40 |
| | SW 60 | Octagonal pipe ø 60 |

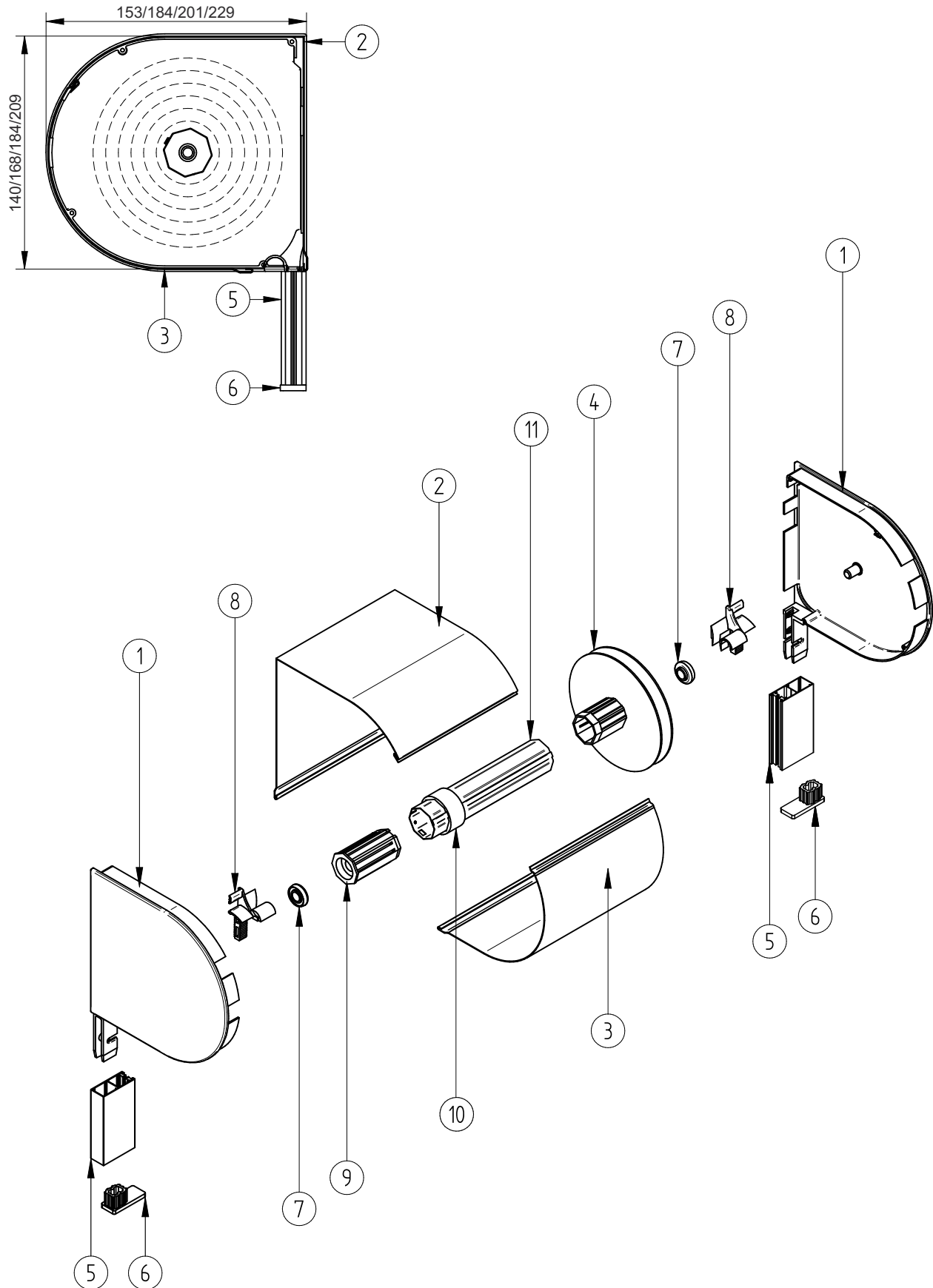
Components of the RL2000[®] system with mosquito net Box 150, 180, 205 - cross section and parts list



RL2000[®] with mosquito net - cross-section and parts list

| | | |
|-----|-------------------|---|
| 1. | BS-150 RL2000 L/R | Box side RL2000 150 |
| | BS-180 RL2000 L/R | Box side RL2000 180 |
| | BS-205 RL2000 L/R | Box side RL2000 205 |
| 2. | SK-150G | Box 150 top |
| | SK-180G | Box 180 top |
| | SK-205G | Box 205 top |
| 3. | SK-150DM RL2000 | Box RL2000 150 bottom for mosquito net |
| | SK-180DM RL2000 | Box RL2000 180 bottom for mosquito net |
| | SK-205DM RL2000 | Box RL2000 205 bottom for mosquito net |
| 4. | KNO-40-150 | Wheel of the roller for box 150 |
| | KNO-40-180 | Wheel of the roller for boxes 180 and 205 |
| 5. | PPDM-53 | ALU double guide for mosquito net |
| 6. | P-53M | Plug for aluminium guides PPDM-53 |
| 7. | LO 28/12 | Bearing for ALU |
| 8. | SPPM L/P | Profile blade slider |
| 9. | OBS-40 | Mounting for \varnothing 40 pipe |
| | OBS-60 | Mounting for \varnothing 60 pipe |
| 10. | PZ40/50 | Expansion ring |
| | PZ60/70 | Expansion ring |
| 11. | SW 40 | Octagonal pipe \varnothing 40 |
| | SW 60 | Octagonal pipe \varnothing 60 |
| 12. | M-RZ-040 | Mosquito net handle in the front mounted roller shutter |
| 13. | M-RZ-200 | Mosquito net spring in the front mounted roller shutter |
| 14. | M-RZ-210 | Slowing system for mosquito net in the front mounted roller shutter |
| 15. | LDM-41x8 CH | Listwa dolna do moskitiery |
| 16. | MOS FI23 1,7 | Moskitiera na rurce \varnothing 23 1,7 |
| | MOS FI23 2,6 | Moskitiera na rurce \varnothing 23 2,6 |

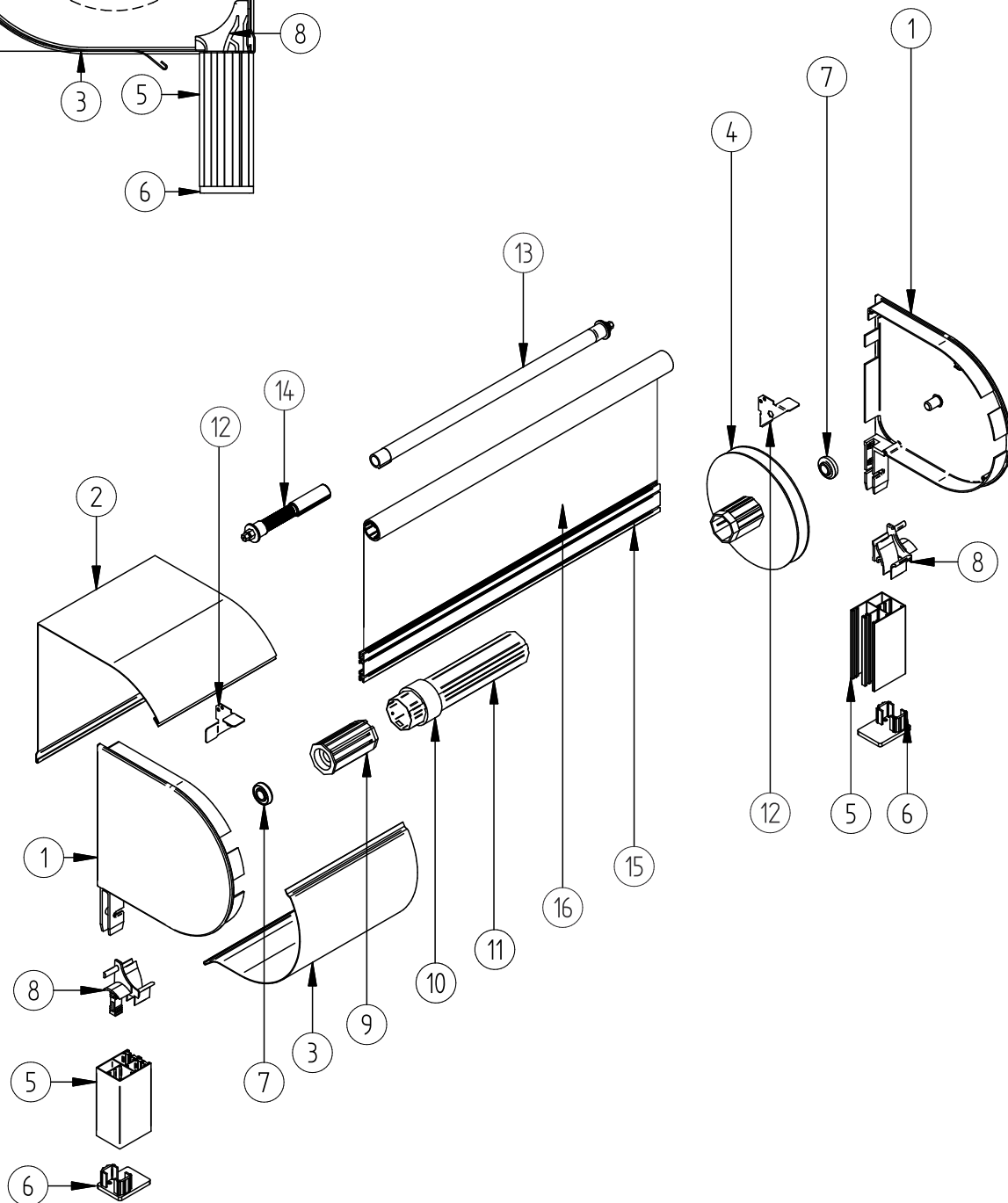
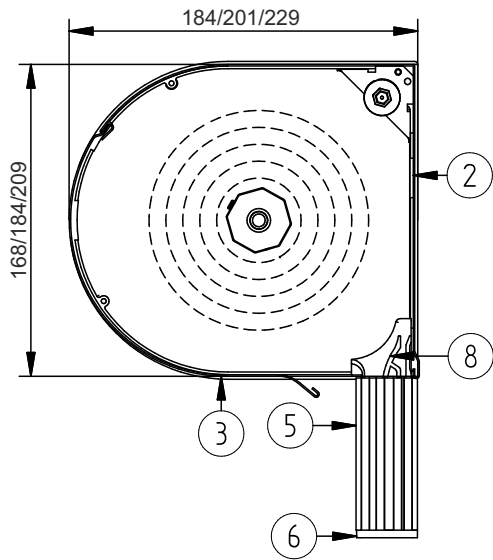
Components of the OS2000® system
Box 137, 165, 180, 205 - cross section and parts list



OS2000® - cross-section and parts list

| | | |
|-----|------------------|---|
| 1. | BS-137 OS/OL L/R | Box side OS2000 137 |
| | BS-165 OS/OL L/R | Box side OS2000 165 |
| | BS-180 OS/OL L/R | Box side OS2000 180 |
| | BS-205 OS/OL L/R | Box side OS2000 205 |
| 2. | SK-OS-137G | Box OS2000 137 top |
| | SK-OS-165G | Box OS2000 165 top |
| | SK-OS-180G | Box OS2000 180 top |
| | SK-OS-205G | Box OS2000 205 top |
| 3. | SK-OS-137D | Box OS2000 137 bottom |
| | SK-OS-165D | Box OS2000 165 bottom |
| | SK-OS-180D | Box OS2000 180 bottom |
| | SK-OS-205D | Box OS2000 205 bottom |
| 4. | KNO-40-150 | Wheel of the roller for box 150 |
| | KNO-40-180 | Wheel of the roller for boxes 180 and 205 |
| 5. | PP-53 | Single guide |
| 6. | P-53 | Plug for aluminium guides PP-53 |
| 7. | LO 28/12 | Bearing for ALU |
| 8. | SPP L/P | Profile blade slider |
| 9. | OBS-40 | Mounting for ø 40 pipe |
| | OBS-60 | Mounting for ø 60 pipe |
| 10. | PZ40/50 | Expansion ring |
| | PZ60/70 | Expansion ring |
| 11. | SW 40 | Octagonal pipe ø 40 |
| | SW 60 | Octagonal pipe ø 60 |

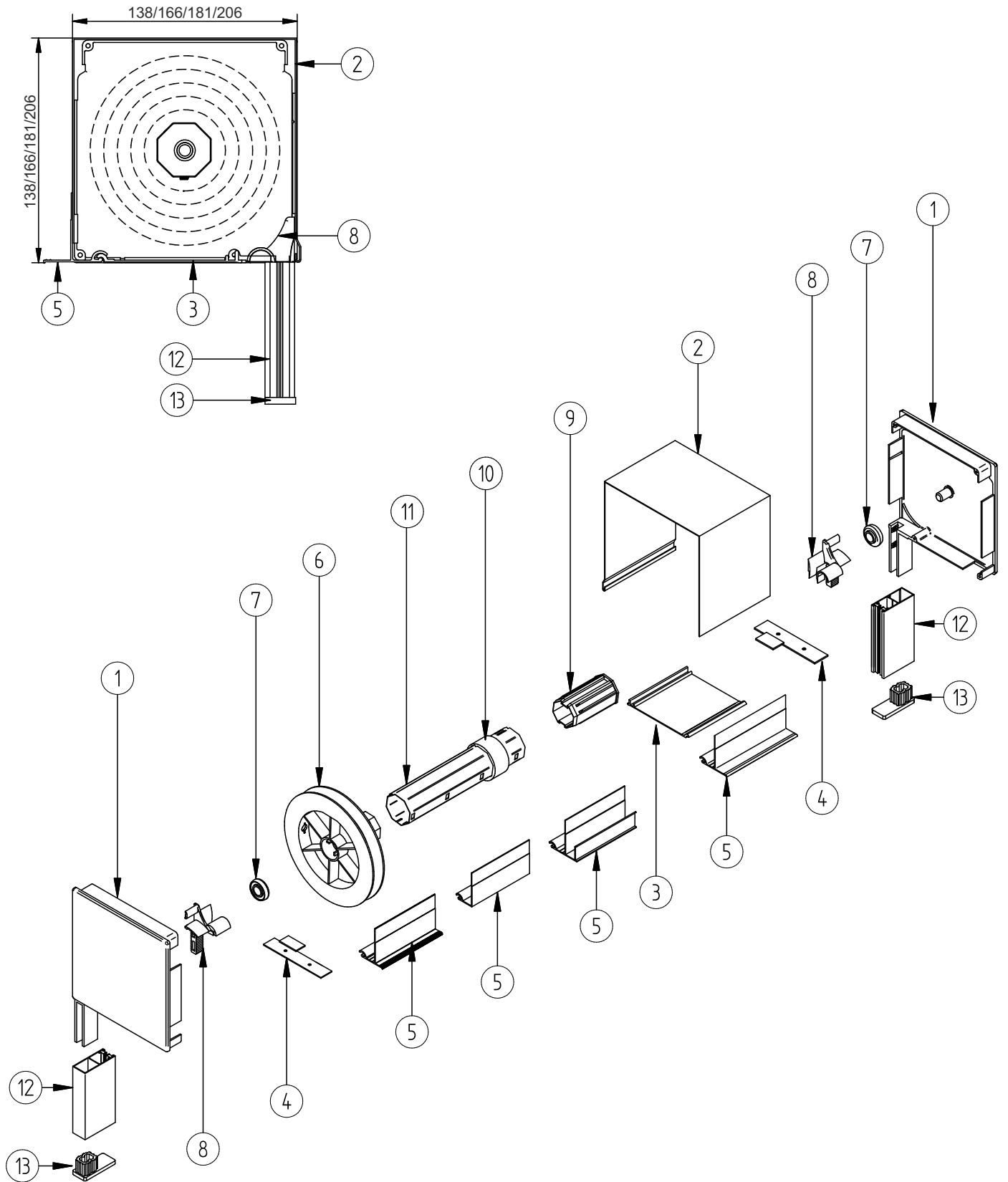
Components of the OS2000® system with mosquito net
 Box 165, 180, 205 - cross section and parts list



OS2000® with mosquito net - cross-section and parts list

| | | |
|-----|------------------|---|
| 1. | BS-165 OS/OL L/R | Box side OS2000 165 |
| | BS-180 OS/OL L/R | Box side OS2000 180 |
| | BS-205 OS/OL L/R | Box side OS2000 205 |
| 2. | SK-OS-165G | Box OS2000 165 top |
| | SK-OS-180G | Box OS2000 180 top |
| | SK-OS-205G | Box OS2000 205 top |
| 3. | SK-OS-165DM | Box OS2000 165 bottom for mosquito net |
| | SK-OS-180DM | Box OS2000 180 bottom for mosquito net |
| | SK-OS-205DM | Box OS2000 205 bottom for mosquito net |
| 4. | KNO-40-165 | Wheel of the roller for box 165 |
| | KNO-40-180 | Wheel of the roller for boxes 180 and 205 |
| 5. | PPDM-53 | ALU double guide for mosquito net |
| 6. | P-53M | Plug for aluminium guides PPDM-53 |
| 7. | LO 28/12 | Bearing for ALU |
| 8. | SPPM L/P | Profile blade slider |
| 9. | OBS-40 | Mounting for ø 40 pipe |
| | OBS-60 | Mounting for ø 60 pipe |
| 10. | PZ40/50 | Expansion ring |
| | PZ60/70 | Expansion ring |
| 11. | SW 40 | Octagonal pipe ø 40 |
| | SW 60 | Octagonal pipe ø 60 |
| 12. | M-RZ-040 | Mosquito net handle in the front mounted roller shutter |
| 13. | M-RZ-200 | Mosquito net spring in the front mounted roller shutter |
| 14. | M-RZ-210 | Slowing system for mosquito net in the front mounted roller shutter |
| 15. | LDM-41x8 CH | Bottom lath for mosquito net |
| 16. | MOS FI23 1,7 | Mosquito net on pipe ø 23 1.7 |
| | MOS FI23 2,6 | Mosquito net on pipe ø 23 2.6 |

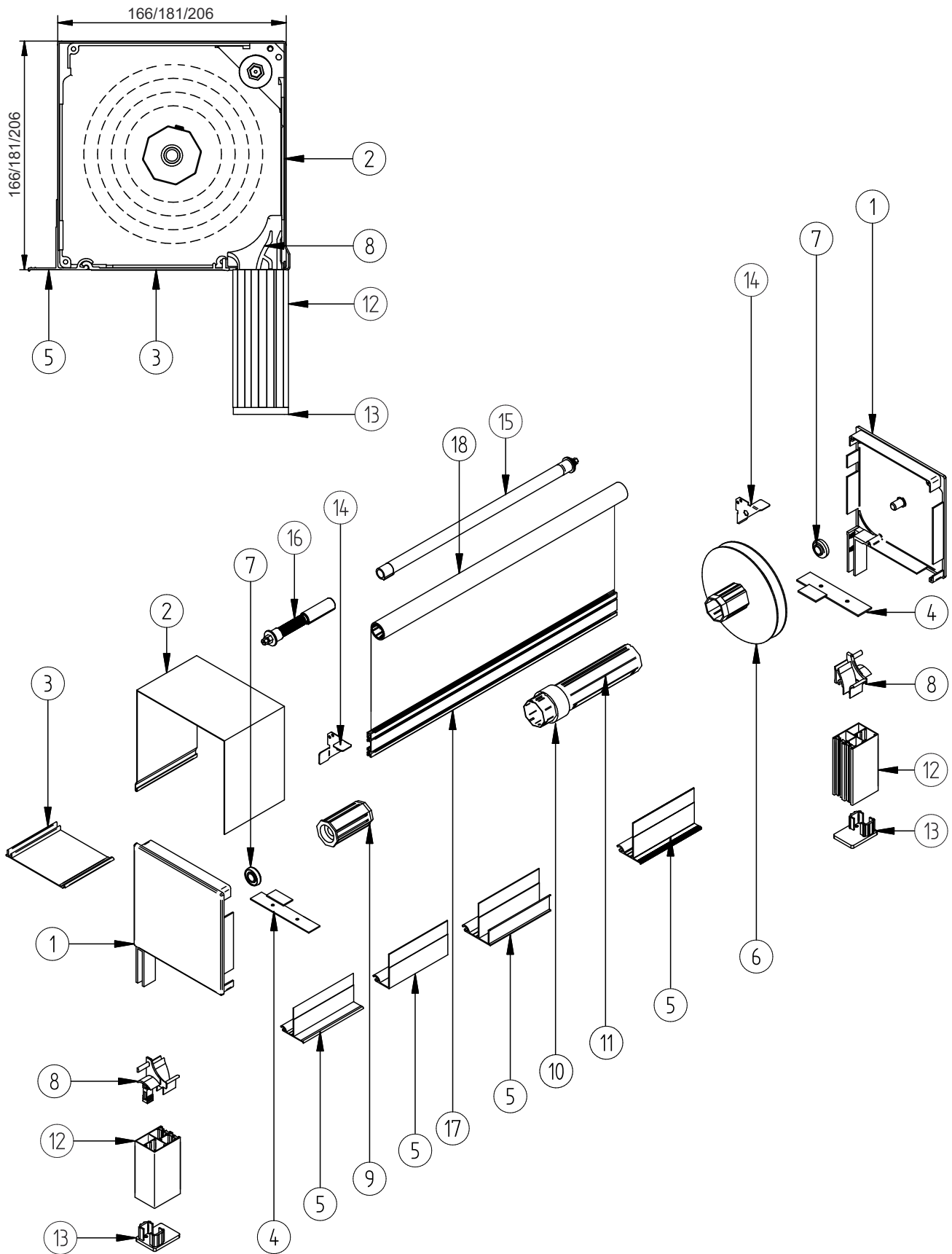
Components of the IT2000® system
 Box 137, 165, 180, 205 - cross section and parts list



IT2000® - cross-section and parts list

| | | |
|-----|-------------------|---|
| 1. | BS-137 IT2000 L/R | Box side IT2000 137 |
| | BS-165 IT2000 L/R | Box side IT2000 165 |
| | BS-180 IT2000 L/R | Box side IT2000 180 |
| | BS-205 IT2000 L/R | Box side IT2000 205 |
| 2. | SK-137G IT2000 | Box IT2000 137 top |
| | SK-165G IT2000 | Box IT2000 165 top |
| | SK-180G IT2000 | Box IT2000 180 top |
| | SK-205G IT2000 | Box IT2000 205 top |
| 3. | KR 137 IT2000 | Inspection cover IT2000 137 |
| | KR 165 IT2000 | Inspection cover IT2000 165 |
| | KR 180 IT2000 | Inspection cover IT2000 180 |
| | KR 205 IT2000 | Inspection cover IT2000 205 |
| 4. | L.DYS-137 L/R | Spacer strips 137 |
| | L.DYS-165 L/R | Spacer strips 165 |
| | L.DYS-180 L/R | Spacer strips 180 |
| | L.DYS-205 L/R | Spacer strips 205 |
| 5. | LT 20 | Concealed lath 20 mm |
| | LT 19 | Concealed lath 19 mm |
| | LT 12 | Concealed lath 12 mm |
| | LT ZERO | Concealed lath zero |
| 6. | KNO-40-137 | Wheel of the roller for box 137 |
| | KNO-40-165 | Wheel of the roller for box 165 |
| | KNO-40-180 | Wheel of the roller for boxes 180 and 205 |
| 7. | LO 28/12 | Bearing for ALU |
| 8. | SPP L/P | Profile blade slider |
| 9. | OBS-40 | Mounting for ø 40 pipe |
| | OBS-60 | Mounting for ø 60 pipe |
| 10. | PZ40/50 | Expansion ring |
| | PZ60/70 | Expansion ring |
| 11. | SW 40 | Octagonal pipe ø 40 |
| | SW 60 | Octagonal pipe ø 60 |
| 12. | PP-53 | Single guide |
| 13. | P-53 | Plug for aluminium guides PP-53 |

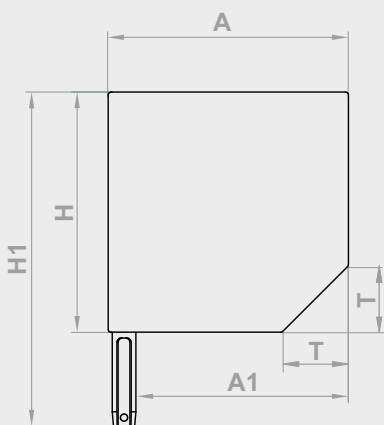
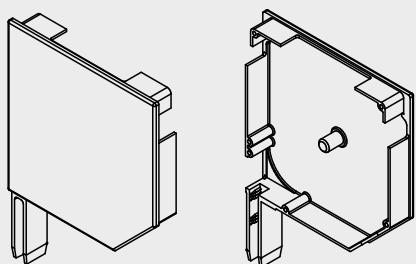
Components of the IT2000® system with mosquito net
 Box 137, 165, 180, 205 - cross section and parts list



IT2000® with mosquito net - cross-section and parts list

| | | |
|-----|-------------------|---|
| 1. | BS-165 IT2000 L/P | Box side IT2000 165 |
| | BS-180 IT2000 L/P | Box side IT2000 180 |
| | BS-205 IT2000 L/P | Box side IT2000 205 |
| 2. | SK-165G IT2000 | Box IT2000 165 top |
| | SK-180G IT2000 | Box IT2000 180 top |
| | SK-205G IT2000 | Box IT2000 205 top |
| 3. | KR 165 IT2000 | Inspection cover IT2000 165 |
| | KR 180 IT2000 | Inspection cover IT2000 180 |
| | KR 205 IT2000 | Inspection cover IT2000 205 |
| 4. | L.DYS-165 L/P | Spacer strips 165 |
| | L.DYS-180 L/P | Spacer strips 180 |
| | L.DYS-205 L/P | Spacer strips 205 |
| 5. | LT 20 | Concealed lath 20 mm |
| | LT 19 | Concealed lath 19 mm |
| | LT 12 | Concealed lath 12 mm |
| | LT ZERO | Concealed lath zero |
| 6. | KNO-40-165 | Wheel of the roller for box 165 |
| | KNO-40-180 | Wheel of the roller for boxes 180 and 205 |
| 7. | LO 28/12 | Bearing for ALU |
| 8. | SPPM L/P | Profile blade slider |
| 9. | OBS-40 | Mounting for ø 40 pipe |
| | OBS-60 | Mounting for ø 60 pipe |
| 10. | PZ40/50 | Expansion ring |
| | PZ60/70 | Expansion ring |
| 11. | SW 40 | Octagonal pipe ø 40 |
| | SW 60 | Octagonal pipe ø 60 |
| 12. | PPDM-53 | ALU double guide for mosquito net |
| 13. | P-53M | Plug for aluminium guides PPDM-53 |
| 14. | M-RZ-040 | Mosquito net handle in the front mounted roller shutter |
| 15. | M-RZ-200 | Mosquito net spring in the front mounted roller shutter |
| 16. | M-RZ-210 | Slowing system for mosquito net in the front mounted roller shutter |
| 17. | LDM-41x8 CH | Bottom lath for mosquito net |
| 18. | MOS FI23 1,7 | Mosquito net on the pipe ø 23 1.7 |
| | MOS FI23 2,6 | Mosquito net on the pipe ø 23 2.6 |

Components for front mounted roller shutter system Sides

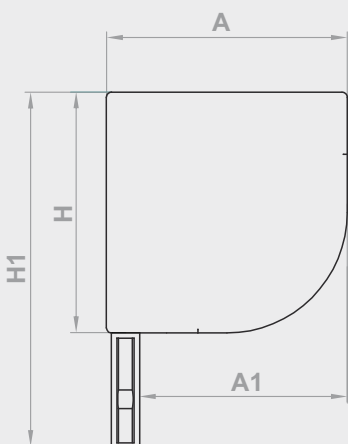
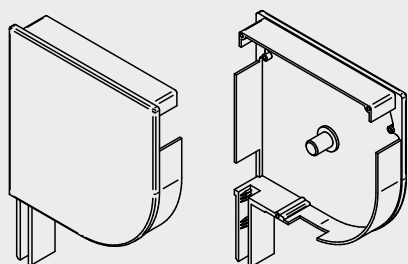
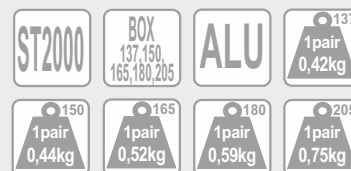


BS L/R

Side of the ST2000® system roller shutter.

| | A (mm) | A1 (mm) | H (mm) | H1 (mm) | T (mm) |
|-----------|--------|---------|--------|---------|--------|
| BS/137/XX | 138 | 119 | 138 | 203 | 38 |
| BS/150/XX | 151 | 132 | 151 | 216 | 41 |
| BS/165/XX | 166 | 147 | 166 | 231 | 47 |
| BS/180/XX | 181 | 162 | 181 | 246 | 51 |
| BS/205/XX | 206 | 187 | 206 | 271 | 57 |

| Index/color (XX) | Index/color (XX) | | | | | | | | | | | | | | | | | | | | | |
|------------------|------------------|------------|-----------|-----------------|------------------|-----------------|-----------------|------------------|------------|------------------|------------|-------------|------------|---------------|-----------------|------------------|------------------|----------|--------------|-----------------|-----------------|---|
| | 01 - silver | 02 - white | 03 - gray | 04 - dark beige | 05 - light beige | 07 - light gray | 08 - dark brown | 09 - light brown | 13 - green | 15 - cream white | 16 - ivory | 19 - maroon | 20 - black | 22 - mahogany | 23 - anthracite | 26 - steel olive | 27 - basalt gray | 30 - nut | 34 - bog oak | 48 - golden oak | 54 - winchester | |
| BS/137/XX | X | X | X | X | X | X | X | X | X | X | X | X | X | X | X | X | X | X | X | X | X | X |
| BS/150/XX | X | X | X | X | X | X | X | X | X | X | X | X | X | X | X | X | X | X | X | X | X | X |
| BS/165/XX | X | X | X | X | X | X | X | X | X | X | X | X | X | X | X | X | X | X | X | X | X | X |
| BS/180/XX | X | X | X | X | X | X | X | X | X | X | X | X | X | X | X | X | X | X | X | X | X | X |
| BS/205/XX | X | X | X | X | X | X | X | X | X | X | X | X | X | X | X | X | X | X | X | X | X | X |



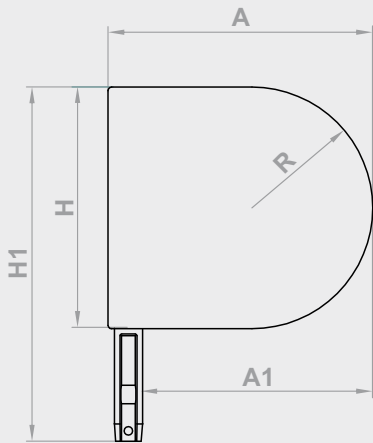
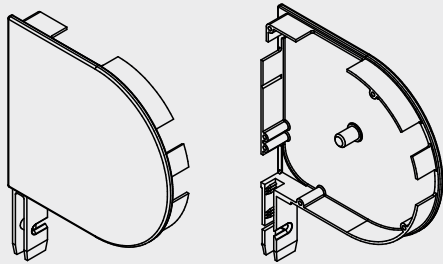
BS RL2000 L/R

Side of the RL2000® system roller shutter.

| | A (mm) | A1 (mm) | H (mm) | H1 (mm) |
|------------------|--------|---------|--------|---------|
| BS/150/RL2000/XX | 150 | 133 | 150 | 221 |
| BS/180/RL2000/XX | 180 | 161 | 181 | 242 |
| BS/205/RL2000/XX | 205 | 186 | 206 | 277 |

| Index/color (XX) | Index/color (XX) | | | | | | | | | | | | | | | | | | | | | |
|------------------|------------------|------------|-----------|-----------------|------------------|-----------------|-----------------|------------------|------------|------------------|------------|-------------|------------|---------------|-----------------|------------------|------------------|----------|--------------|-----------------|-----------------|---|
| | 01 - silver | 02 - white | 03 - gray | 04 - dark beige | 05 - light beige | 07 - light gray | 08 - dark brown | 09 - light brown | 13 - green | 15 - cream white | 16 - ivory | 19 - maroon | 20 - black | 22 - mahogany | 23 - anthracite | 26 - steel olive | 27 - basalt gray | 30 - nut | 34 - bog oak | 48 - golden oak | 54 - winchester | |
| BS/150/RL2000/XX | X | X | X | X | X | X | X | X | X | X | X | X | X | X | X | X | X | X | X | X | X | X |
| BS/180/RL2000/XX | X | X | X | X | X | X | X | X | X | X | X | X | X | X | X | X | X | X | X | X | X | X |
| BS/205/RL2000/XX | X | X | X | X | X | X | X | X | X | X | X | X | X | X | X | X | X | X | X | X | X | X |



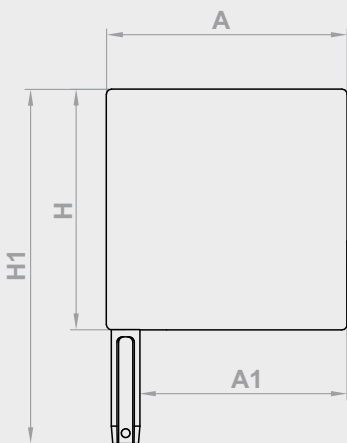
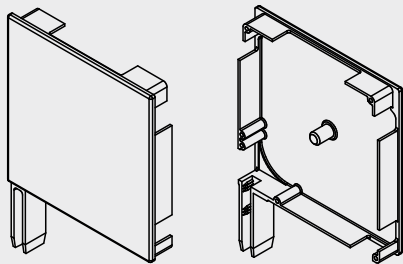


BS OS2000 L/R

Side of the OS2000® system roller shutter.

| | A (mm) | A1 (mm) | H (mm) | H1 (mm) | R (mm) |
|--------------|--------|---------|--------|---------|--------|
| BS/137/OS/XX | 153 | 133 | 140 | 204 | 70 |
| BS/165/OS/XX | 184 | 164 | 168 | 233 | 84 |
| BS/180/OS/XX | 201 | 181 | 184 | 249 | 92 |
| BS/205/OS/XX | 229 | 209 | 209 | 274 | 104 |

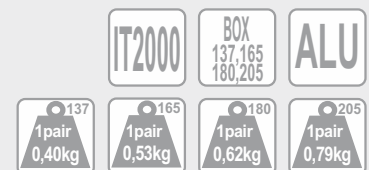
| Index/color (XX) | Index/color (XX) | | | | | | | | | | | | | | | | | | | | | |
|------------------|------------------|------------|-----------|-----------------|------------------|-----------------|-----------------|------------------|------------|------------------|------------|-------------|------------|---------------|-----------------|------------------|------------------|----------|--------------|-----------------|-----------------|--|
| | 01 - silver | 02 - white | 03 - gray | 04 - dark beige | 05 - light beige | 07 - light gray | 08 - dark brown | 09 - light brown | 13 - green | 15 - cream white | 16 - ivory | 19 - maroon | 20 - black | 22 - mahogany | 23 - anthracite | 26 - steel olive | 27 - basalt gray | 30 - nut | 34 - bog oak | 48 - golden oak | 54 - winchester | |
| BS/137/OS/XX | x | x | x | x | x | x | x | x | x | x | x | x | x | x | x | x | x | | | | | |
| BS/165/OS/XX | x | x | x | x | x | x | x | x | x | x | x | x | x | x | x | x | x | | | | | |
| BS/180/OS/XX | x | x | x | x | x | x | x | x | x | x | x | x | x | x | x | x | x | | | | | |
| BS/205/OS/XX | x | x | x | x | x | x | x | x | x | x | x | x | x | x | x | x | x | | | | | |

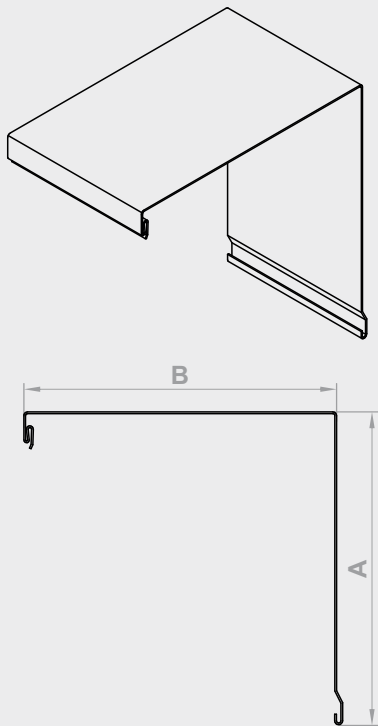


BS IT2000 L/R

Side of the IT2000® system roller shutter - unvarnished.

| | A (mm) | A1 (mm) | H (mm) | H1 (mm) |
|------------------|--------|---------|--------|---------|
| BS-137-00 IT2000 | 138 | 119 | 138 | 203 |
| BS-165-00 IT2000 | 166 | 147 | 166 | 231 |
| BS-180-00 IT2000 | 181 | 162 | 181 | 246 |
| BS-205-00 IT2000 | 206 | 187 | 206 | 271 |



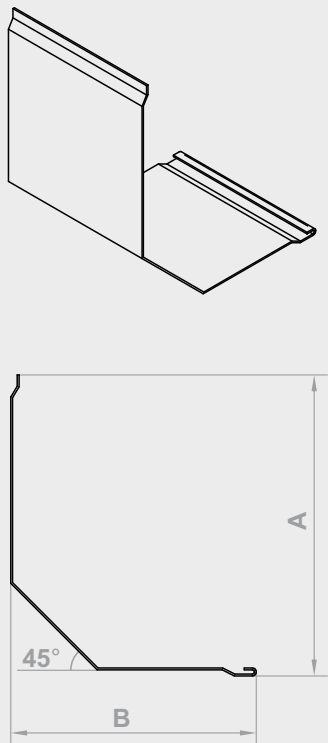
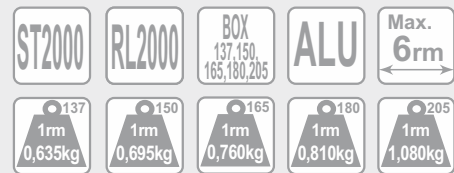
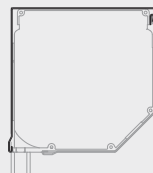


SK-G

Aluminium box ST2000®, RL2000® - top.

| | A (mm) | B (mm) |
|------------|--------|--------|
| SK-137G/XX | 137,5 | 137,5 |
| SK-150G/XX | 150,5 | 150,5 |
| SK-165G/XX | 165,5 | 165,5 |
| SK-180G/XX | 180,5 | 180,5 |
| SK-205G/XX | 205,5 | 205,5 |

| Index/color (XX) | Index/color (XX) | | | | | | | | | | | | | | | | | | | | | |
|------------------|------------------|------------|-----------|-----------------|------------------|-----------------|-----------------|------------------|------------|------------------|------------|-------------|------------|---------------|-----------------|------------------|------------------|----------|--------------|-----------------|-----------------|---|
| | 01 - silver | 02 - white | 03 - gray | 04 - dark beige | 05 - light beige | 07 - light gray | 08 - dark brown | 09 - light brown | 13 - green | 15 - cream white | 16 - ivory | 19 - maroon | 20 - black | 22 - mahogany | 23 - anthracite | 26 - steel olive | 27 - basalt gray | 30 - nut | 34 - bog oak | 48 - golden oak | 54 - winchester | |
| SK-137G/XX | X | X | X | X | X | X | X | X | X | X | X | X | X | X | X | X | X | X | | | X | X |
| SK-150G/XX | X | X | X | X | X | X | X | X | X | X | X | X | X | X | X | X | X | X | | | X | X |
| SK-165G/XX | X | X | X | X | X | X | X | X | X | X | X | X | X | X | X | X | X | X | | | X | X |
| SK-180G/XX | X | X | X | X | X | X | X | X | X | X | X | X | X | X | X | X | X | X | | | X | X |
| SK-205G/XX | X | X | X | X | X | X | X | X | X | X | X | X | X | X | X | X | X | X | | | X | X |

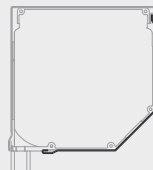


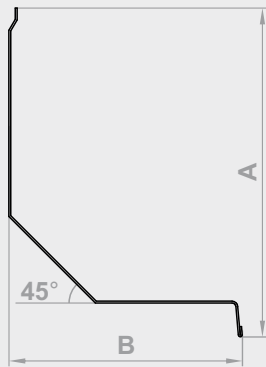
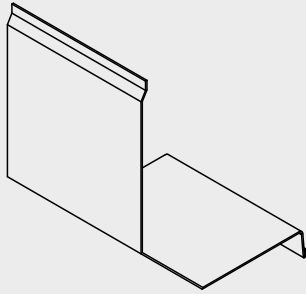
SK-D

Aluminium box ST2000® - bottom.

| | A (mm) | B (mm) |
|------------|--------|--------|
| SK-137D/XX | 127 | 104 |
| SK-150D/XX | 140 | 114 |
| SK-165D/XX | 155 | 130 |
| SK-180D/XX | 170 | 144 |
| SK-205D/XX | 195 | 170 |

| Index/color (XX) | Index/color (XX) | | | | | | | | | | | | | | | | | | | | | |
|------------------|------------------|------------|-----------|-----------------|------------------|-----------------|-----------------|------------------|------------|------------------|------------|-------------|------------|---------------|-----------------|------------------|------------------|----------|--------------|-----------------|-----------------|---|
| | 01 - silver | 02 - white | 03 - gray | 04 - dark beige | 05 - light beige | 07 - light gray | 08 - dark brown | 09 - light brown | 13 - green | 15 - cream white | 16 - ivory | 19 - maroon | 20 - black | 22 - mahogany | 23 - anthracite | 26 - steel olive | 27 - basalt gray | 30 - nut | 34 - bog oak | 48 - golden oak | 54 - winchester | |
| SK-137D/XX | X | X | X | X | X | X | X | X | X | X | X | X | X | X | X | X | X | X | | | X | X |
| SK-150D/XX | X | X | X | X | X | X | X | X | X | X | X | X | X | X | X | X | X | X | | | X | X |
| SK-165D/XX | X | X | X | X | X | X | X | X | X | X | X | X | X | X | X | X | X | X | | | X | X |
| SK-180D/XX | X | X | X | X | X | X | X | X | X | X | X | X | X | X | X | X | X | X | | | X | X |
| SK-205D/XX | X | X | X | X | X | X | X | X | X | X | X | X | X | X | X | X | X | X | | | X | X |



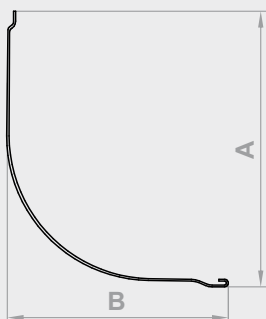
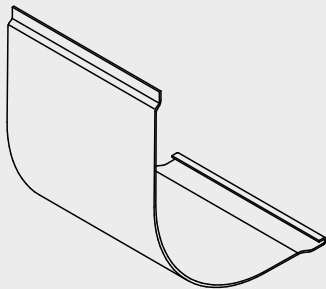
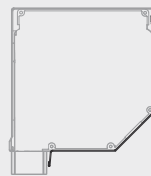


SK-DM

Aluminium box ST2000® - bottom for mosquito net.

| | A (mm) | B (mm) |
|-------------|--------|--------|
| SK-150DM/XX | 156 | 113 |
| SK-165DM/XX | 171 | 129 |
| SK-180DM/XX | 186 | 142 |
| SK-205DM/XX | 211 | 169 |

| Index/color (XX) | Index/color (XX) | | | | | | | | | | | | | | | | | | | | | |
|------------------|------------------|------------|-----------|-----------------|------------------|-----------------|-----------------|------------------|------------|------------------|------------|-------------|------------|---------------|-----------------|------------------|------------------|----------|--------------|-----------------|-----------------|---|
| | 01 - silver | 02 - white | 03 - gray | 04 - dark beige | 05 - light beige | 07 - light gray | 08 - dark brown | 09 - light brown | 13 - green | 15 - cream white | 16 - ivory | 19 - maroon | 20 - black | 22 - mahogany | 23 - anthracite | 26 - steel olive | 27 - basalt gray | 30 - nut | 34 - bog oak | 48 - golden oak | 54 - winchester | |
| SK-150DM/XX | x | x | x | x | x | x | x | x | x | x | x | x | x | x | x | x | x | | | | | |
| SK-165DM/XX | x | x | x | x | x | x | x | x | x | x | x | x | x | x | x | x | x | | | | x | x |
| SK-180DM/XX | x | x | x | x | x | x | x | x | x | x | x | x | x | x | x | x | x | | | | | |
| SK-205DM/XX | x | x | x | x | x | x | x | x | x | x | x | x | x | x | x | x | x | | | | x | x |

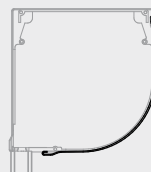


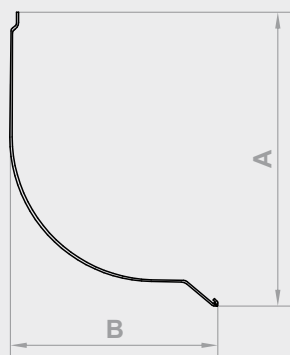
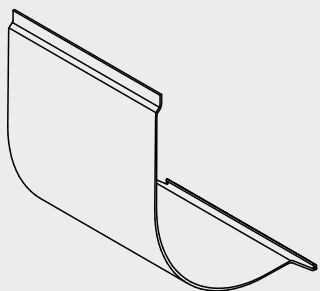
SK-D RL2000

Aluminium box RL2000® - bottom.

| | A (mm) | B (mm) |
|-------------------|--------|--------|
| SK-150D/XX RL2000 | 140,0 | 115,0 |
| SK-180D/XX RL2000 | 171,0 | 145,0 |
| SK-205D/XX RL2000 | 196,0 | 172,0 |

| Index/color (XX) | Index/color (XX) | | | | | | | | | | | | | | | | | | | | | |
|-------------------|------------------|------------|-----------|-----------------|------------------|-----------------|-----------------|------------------|------------|------------------|------------|-------------|------------|---------------|-----------------|------------------|------------------|----------|--------------|-----------------|-----------------|--|
| | 01 - silver | 02 - white | 03 - gray | 04 - dark beige | 05 - light beige | 07 - light gray | 08 - dark brown | 09 - light brown | 13 - green | 15 - cream white | 16 - ivory | 19 - maroon | 20 - black | 22 - mahogany | 23 - anthracite | 26 - steel olive | 27 - basalt gray | 30 - nut | 34 - bog oak | 48 - golden oak | 54 - winchester | |
| SK-150D/XX RL2000 | x | x | x | x | x | x | x | x | x | x | x | x | x | x | x | x | x | | | | | |
| SK-180D/XX RL2000 | x | x | x | x | x | x | x | x | x | x | x | x | x | x | x | x | x | | | | | |
| SK-205D/XX RL2000 | x | x | x | x | x | x | x | x | x | x | x | x | x | x | x | x | x | | | | | |



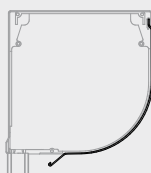


SK-DM RL2000

Aluminium box RL2000® - bottom for mosquito net.

| | A (mm) | B (mm) |
|--------------------|--------|--------|
| SK-150DM/XX RL2000 | 161 | 104 |
| SK-180DM/XX RL2000 | 191 | 136 |
| SK-205DM/XX RL2000 | 219 | 164 |

| Index/color (XX) | Index/color (XX) | | | | | | | | | | | | | | | | | | | | | |
|--------------------|------------------|------------|-----------|-----------------|------------------|-----------------|-----------------|------------------|------------|------------------|------------|-------------|------------|---------------|-----------------|------------------|------------------|----------|--------------|-----------------|-----------------|--|
| | 01 - silver | 02 - white | 03 - gray | 04 - dark beige | 05 - light beige | 07 - light gray | 08 - dark brown | 09 - light brown | 13 - green | 15 - cream white | 16 - ivory | 19 - maroon | 20 - black | 22 - mahogany | 23 - anthracite | 26 - steel olive | 27 - basalt gray | 30 - nut | 34 - bog oak | 48 - golden oak | 54 - winchester | |
| SK-150DM/XX RL2000 | x | x | x | x | x | x | x | x | x | x | x | x | x | x | x | x | x | | | | | |
| SK-180DM/XX RL2000 | x | x | x | x | x | x | x | x | x | x | x | x | x | x | x | x | x | | | | | |
| SK-205DM/XX RL2000 | x | x | x | x | x | x | x | x | x | x | x | x | x | x | x | x | x | | | | | |



RL2000

BOX
150,180,205

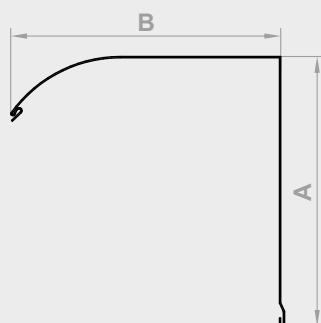
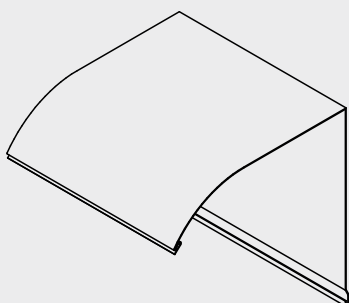
ALU

Max.
6mm

150
1m
0,470kg

180
1m
0,580kg

205
1m
0,860kg



SK-OS-G

Aluminium box OS2000® - top.

| | A (mm) | B (mm) |
|---------------|--------|--------|
| SK-OS-137G/XX | 138,0 | 141,0 |
| SK-OS-165G/XX | 166,0 | 168,0 |
| SK-OS-180G/XX | 181,0 | 182,0 |
| SK-OS-205G/XX | 206,0 | 206,0 |

| Index/color (XX) | Index/color (XX) | | | | | | | | | | | | | | | | | | | | | |
|------------------|------------------|------------|-----------|-----------------|------------------|-----------------|-----------------|------------------|------------|------------------|------------|-------------|------------|---------------|-----------------|------------------|------------------|----------|--------------|-----------------|-----------------|--|
| | 01 - silver | 02 - white | 03 - gray | 04 - dark beige | 05 - light beige | 07 - light gray | 08 - dark brown | 09 - light brown | 13 - green | 15 - cream white | 16 - ivory | 19 - maroon | 20 - black | 22 - mahogany | 23 - anthracite | 26 - steel olive | 27 - basalt gray | 30 - nut | 34 - bog oak | 48 - golden oak | 54 - winchester | |
| SK-OS-137G/XX | x | x | x | x | x | x | x | x | x | x | x | x | x | x | x | x | x | | | | | |
| SK-OS-165G/XX | x | x | x | x | x | x | x | x | x | x | x | x | x | x | x | x | x | | | | | |
| SK-OS-180G/XX | x | x | x | x | x | x | x | x | x | x | x | x | x | x | x | x | x | | | | | |
| SK-OS-205G/XX | x | x | x | x | x | x | x | x | x | x | x | x | x | x | x | x | x | | | | | |



OS2000

BOX
137,165,180,205

ALU

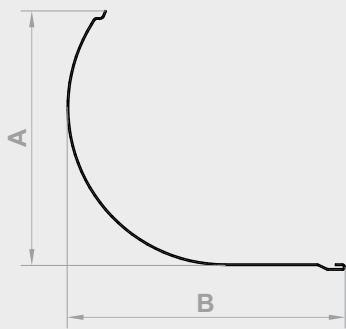
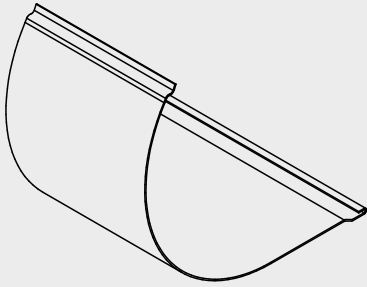
Max.
6mm

137
1m
0,845kg

165
1m
1,025kg

180
1m
1,070kg

205
1m
1,200kg

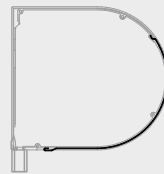


SK-OS-D

Aluminium box OS2000® - bottom.

| | A (mm) | B (mm) |
|---------------|--------|--------|
| SK-OS-137D/XX | 111,0 | 106,0 |
| SK-OS-165D/XX | 132,0 | 135,0 |
| SK-OS-180D/XX | 144,0 | 152,0 |
| SK-OS-205D/XX | 165,0 | 180,0 |

| Index/color (XX) | Index/color (XX) | | | | | | | | | | | | | | | | | | | | |
|------------------|------------------|------------|-----------|-----------------|------------------|-----------------|-----------------|------------------|------------|------------------|------------|-------------|------------|---------------|-----------------|------------------|------------------|----------|--------------|-----------------|-----------------|
| | 01 - silver | 02 - white | 03 - gray | 04 - dark beige | 05 - light beige | 07 - light gray | 08 - dark brown | 09 - light brown | 13 - green | 15 - cream white | 16 - ivory | 19 - maroon | 20 - black | 22 - mahogany | 23 - anthracite | 26 - steel olive | 27 - basalt gray | 30 - nut | 34 - bog oak | 48 - golden oak | 54 - winchester |
| SK-OS-137D/XX | X | X | X | X | X | X | X | X | X | X | X | X | X | X | X | X | X | | | | |
| SK-OS-165D/XX | X | X | X | X | X | X | X | X | X | X | X | X | X | X | X | X | X | | | | |
| SK-OS-180D/XX | X | X | X | X | X | X | X | X | X | X | X | X | X | X | X | X | X | | | | |
| SK-OS-205D/XX | X | X | X | X | X | X | X | X | X | X | X | X | X | X | X | X | X | | | | |



OS2000

BOX 137,165,180,205

ALU

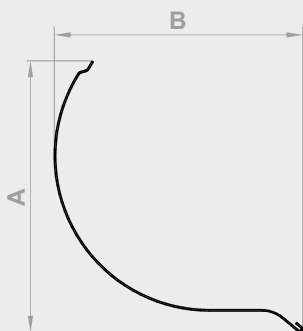
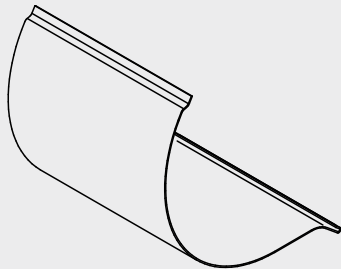
Max. 6mm

137 1m 0,465kg

165 1m 0,620kg

180 1m 0,680kg

205 1m 0,800kg

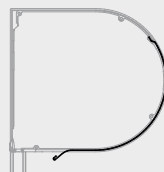


SK-OS-DM

Aluminium box OS2000® - bottom for mosquito net.

| | A (mm) | B (mm) |
|----------------|--------|--------|
| SK-OS-165DM/XX | 166 | 130 |
| SK-OS-180DM/XX | 179 | 155 |
| SK-OS-205DM/XX | 201 | 158 |

| Index/kolor (XX) | Index/kolor (XX) | | | | | | | | | | | | | | | | | | | | |
|------------------|------------------|------------|-----------|-----------------|------------------|-----------------|-----------------|------------------|------------|------------------|------------|-------------|------------|---------------|-----------------|------------------|------------------|----------|--------------|-----------------|-----------------|
| | 01 - silver | 02 - white | 03 - gray | 04 - dark beige | 05 - light beige | 07 - light gray | 08 - dark brown | 09 - light brown | 13 - green | 15 - cream white | 16 - ivory | 19 - maroon | 20 - black | 22 - mahogany | 23 - anthracite | 26 - steel olive | 27 - basalt gray | 30 - nut | 34 - bog oak | 48 - golden oak | 54 - winchester |
| SK-OS-165DM/XX | X | X | X | X | X | X | X | X | X | X | X | X | X | X | X | X | X | | | | |
| SK-OS-180DM/XX | X | X | X | X | X | X | X | X | X | X | X | X | X | X | X | X | X | | | | |
| SK-OS-205DM/XX | X | X | X | X | X | X | X | X | X | X | X | X | X | X | X | X | X | | | | |



OS2000

BOX 165,180,205

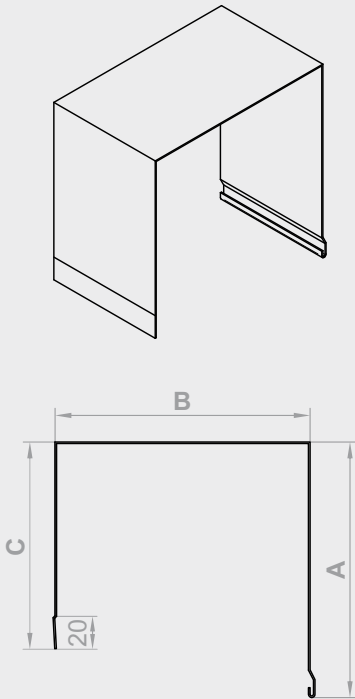
ALU

Max. 6mm

165 1m 0,605kg

180 1m 0,670kg

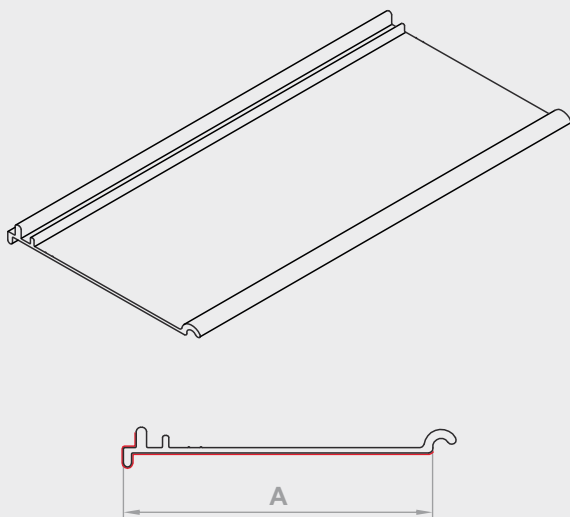
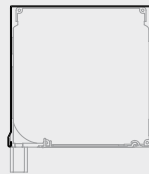
205 1m 0,785kg



SK-G IT2000

Aluminium box IT2000®

| | A (mm) | B (mm) | C (mm) |
|----------------|--------|--------|--------|
| SK-137G IT2000 | 137,0 | 137,0 | 107,0 |
| SK-165G IT2000 | 165,0 | 165,0 | 134,0 |
| SK-180G IT2000 | 180,0 | 180,0 | 150,0 |
| SK-205G IT2000 | 204,0 | 205,0 | 174,0 |



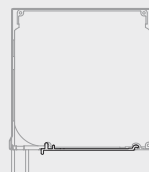
KR IT2000

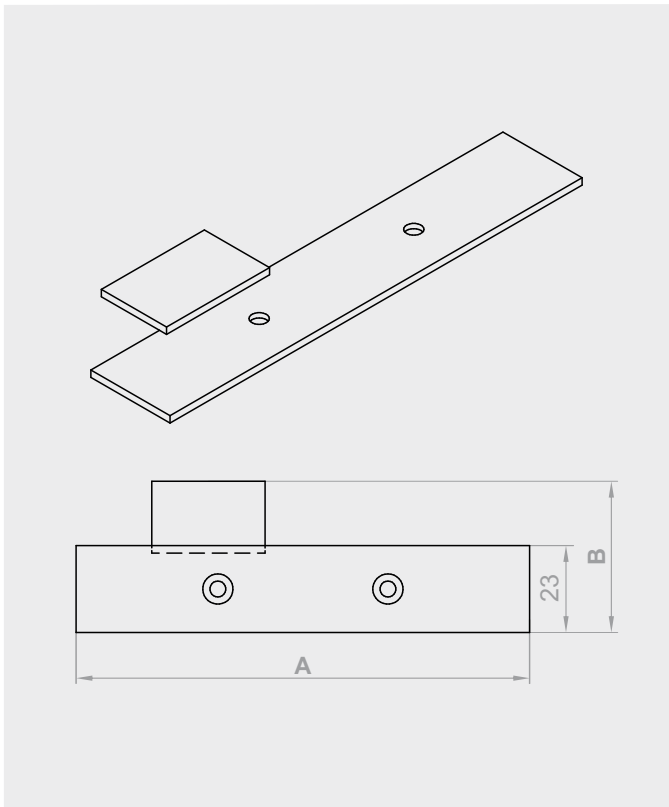
Inspection cover IT2000®

| | A (mm) |
|------------------|--------|
| KR 137/XX IT2000 | 82,0 |
| KR 165/XX IT2000 | 107,0 |
| KR 180/XX IT2000 | 122,0 |
| KR 205/XX IT2000 | 132,0 |

| Index/color (XX) | A (mm) | | | | | | | | | | | | | | | | | | | | | | | |
|------------------|-------------|------------|-----------|-----------------|------------------|-----------------|-----------------|------------------|------------|------------------|------------|-------------|------------|---------------|-----------------|------------------|------------------|----------|--------------|-----------------|-----------------|--|--|--|
| | 01 - silver | 02 - white | 03 - gray | 04 - dark beige | 05 - light beige | 07 - light gray | 08 - dark brown | 09 - light brown | 13 - green | 15 - cream white | 16 - ivory | 19 - maroon | 20 - black | 22 - mahogany | 23 - anthracite | 26 - steel olive | 27 - basalt gray | 30 - nut | 34 - bog oak | 48 - golden oak | 54 - winchester | | | |
| KR 137/XX IT2000 | x | x | x | x | x | x | x | x | x | x | x | x | x | x | x | x | x | x | | | | | | |
| KR 165/XX IT2000 | x | x | x | x | x | x | x | x | x | x | x | x | x | x | x | x | x | x | | | | | | |
| KR 180/XX IT2000 | x | x | x | x | x | x | x | x | x | x | x | x | x | x | x | x | x | x | | | | | | |
| KR 205/XX IT2000 | x | x | x | x | x | x | x | x | x | x | x | x | x | x | x | x | x | x | | | | | | |

+ all veneer colors



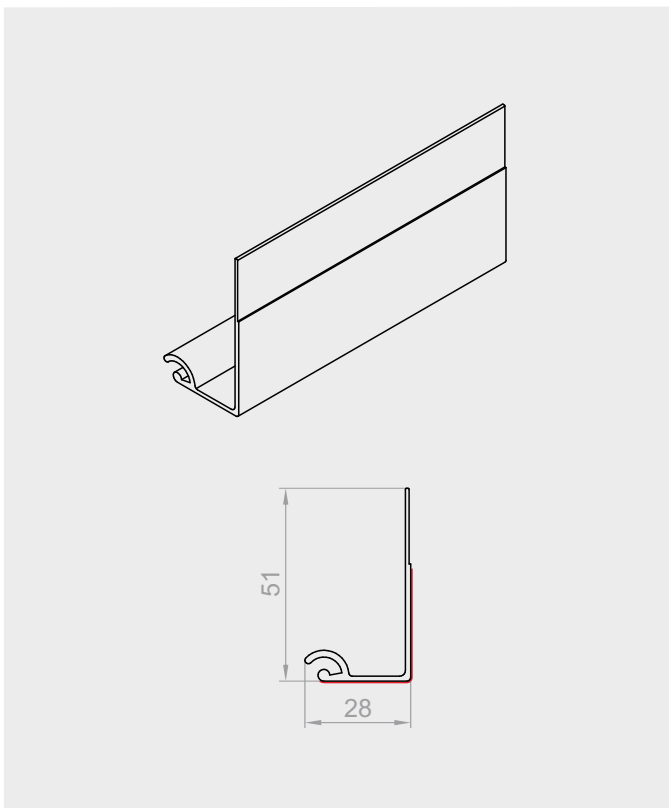


L.DYST

Spacer strip IT2000®

| | A (mm) | B (mm) |
|---------------|--------|--------|
| L.DYST-137/XX | 78,0 | 40,0 |
| L.DYST-165/XX | 105,0 | 40,0 |
| L.DYST-180/XX | 120,0 | 40,0 |
| L.DYST-205/XX | 146,0 | 40,0 |

| Index/color (XX) | 01 - silver | 02 - white | 03 - gray | 04 - dark beige | 05 - light beige | 07 - light gray | 08 - dark brown | 09 - light brown | 13 - green | 15 - cream white | 16 - ivory | 19 - maroon | 20 - black | 22 - mahogany | 23 - anthracite | 26 - steel olive | 27 - basalt gray | 30 - nut | 34 - bog oak | 48 - golden oak | 54 - winchester | |
|------------------|-------------|------------|-----------|-----------------|------------------|-----------------|-----------------|------------------|------------|------------------|------------|-------------|------------|---------------|-----------------|------------------|------------------|----------|--------------|-----------------|-----------------|--|
| L.DYST-137/XX | X | X | X | X | X | X | X | X | X | X | X | X | X | X | X | X | X | | | | | |
| L.DYST-165/XX | X | X | X | X | X | X | X | X | X | X | X | X | X | X | X | X | X | | | | | |
| L.DYST-180/XX | X | X | X | X | X | X | X | X | X | X | X | X | X | X | X | X | X | | | | | |
| L.DYST-205/XX | X | X | X | X | X | X | X | X | X | X | X | X | X | X | X | X | X | | | | | |

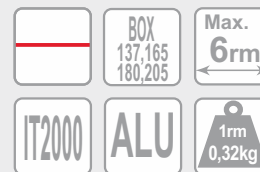
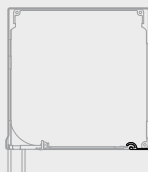


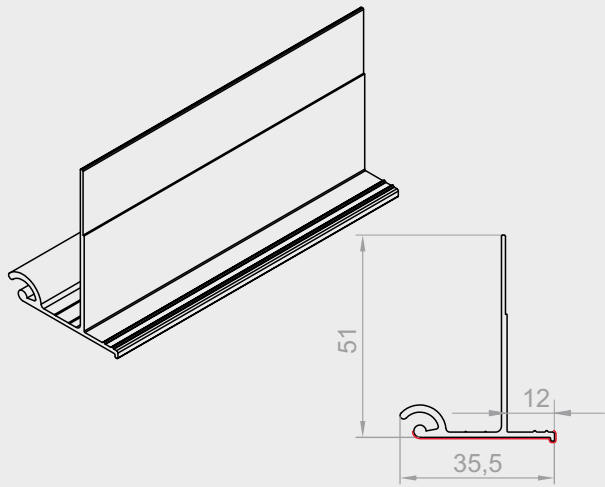
LT ZERO

Concealed lath for box 137,165,180, 205 for IT2000® system.

| Index/color (XX) | 01 - silver | 02 - white | 03 - gray | 04 - dark beige | 05 - light beige | 07 - light gray | 08 - dark brown | 09 - light brown | 13 - green | 15 - cream white | 16 - ivory | 19 - maroon | 20 - black | 22 - mahogany | 23 - anthracite | 26 - steel olive | 27 - basalt gray | 30 - nut | 34 - bog oak | 48 - golden oak | 54 - winchester | |
|------------------|-------------|------------|-----------|-----------------|------------------|-----------------|-----------------|------------------|------------|------------------|------------|-------------|------------|---------------|-----------------|------------------|------------------|----------|--------------|-----------------|-----------------|--|
| LT ZERO/XX | X | X | X | X | X | X | X | X | X | X | X | X | X | X | X | X | X | | | | | |

+ wszystkie kolory oklein



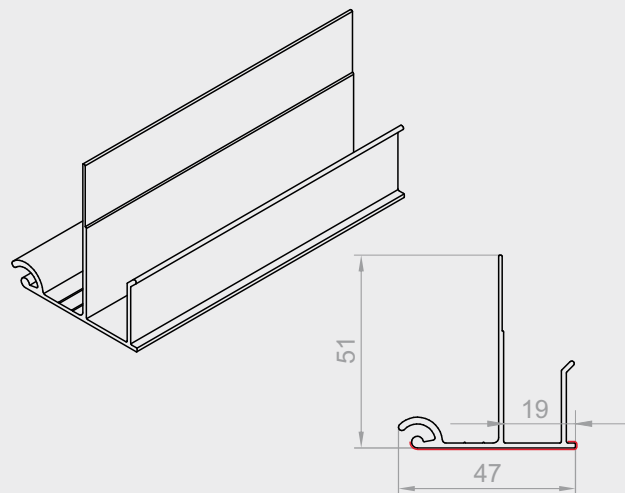
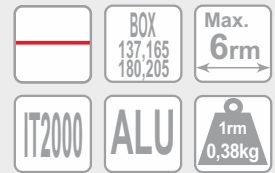
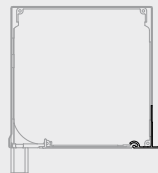


LT 12

Concealed lath for box 137, 165, 180, 205 for IT2000® system.

| Index/color (XX) | 01 - silver | 02 - white | 03 - gray | 04 - dark beige | 05 - light beige | 07 - light gray | 08 - dark brown | 09 - light brown | 13 - green | 15 - cream white | 16 - ivory | 19 - maroon | 20 - black | 22 - mahogany | 23 - anthracite | 26 - steel olive | 27 - basalt gray | 30 - nut | 34 - bog oak | 48 - golden oak | 54 - winchester | |
|------------------|-------------|------------|-----------|-----------------|------------------|-----------------|-----------------|------------------|------------|------------------|------------|-------------|------------|---------------|-----------------|------------------|------------------|----------|--------------|-----------------|-----------------|--|
| LT 12 XX | X | X | X | X | X | X | X | X | X | X | X | X | X | X | X | X | X | X | | | | |

+ all veneer colors

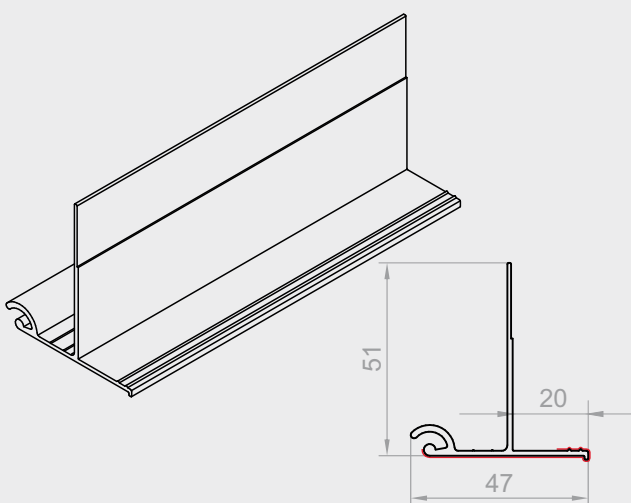
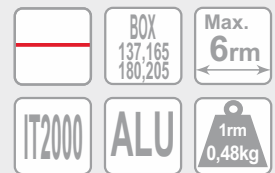
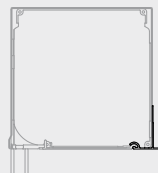


LT 19 IT2000

Concealed lath for box 137, 165, 180, 205 for IT2000® system.

| Index/color (XX) | 01 - silver | 02 - white | 03 - gray | 04 - dark beige | 05 - light beige | 07 - light gray | 08 - dark brown | 09 - light brown | 13 - green | 15 - cream white | 16 - ivory | 19 - maroon | 20 - black | 22 - mahogany | 23 - anthracite | 26 - steel olive | 27 - basalt gray | 30 - nut | 34 - bog oak | 48 - golden oak | 54 - winchester | |
|------------------|-------------|------------|-----------|-----------------|------------------|-----------------|-----------------|------------------|------------|------------------|------------|-------------|------------|---------------|-----------------|------------------|------------------|----------|--------------|-----------------|-----------------|--|
| LT 19 XX IT2000 | X | X | X | X | X | X | X | X | X | X | X | X | X | X | X | X | X | X | | | | |

+ all veneer colors

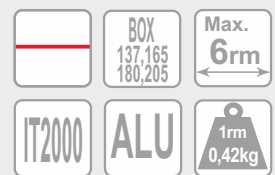
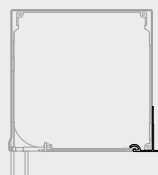


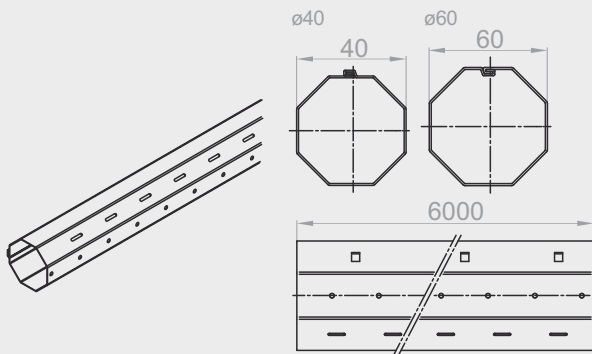
LT 20

Concealed lath for box 137, 165, 180, 205 for IT2000® system.

| Index/kolor (XX) | 01 - silver | 02 - white | 03 - gray | 04 - dark beige | 05 - light beige | 07 - light gray | 08 - dark brown | 09 - light brown | 13 - green | 15 - cream white | 16 - ivory | 19 - maroon | 20 - black | 22 - mahogany | 23 - anthracite | 26 - steel olive | 27 - basalt gray | 30 - nut | 34 - bog oak | 48 - golden oak | 54 - winchester | |
|------------------|-------------|------------|-----------|-----------------|------------------|-----------------|-----------------|------------------|------------|------------------|------------|-------------|------------|---------------|-----------------|------------------|------------------|----------|--------------|-----------------|-----------------|--|
| LT 20 XX | X | X | X | X | X | X | X | X | X | X | X | X | X | X | X | X | X | X | | | | |

+ all veneer colors



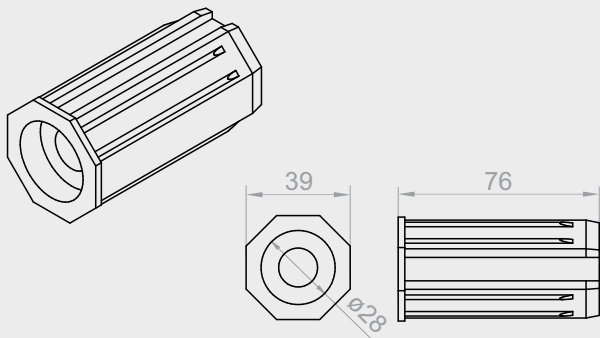
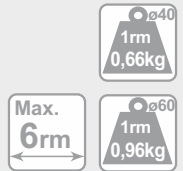


SW 40

Octagonal pipe $\varnothing 40$.

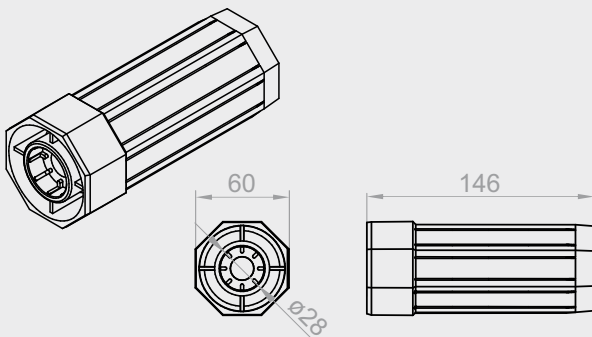
SW 60

Octagonal pipe $\varnothing 60$.



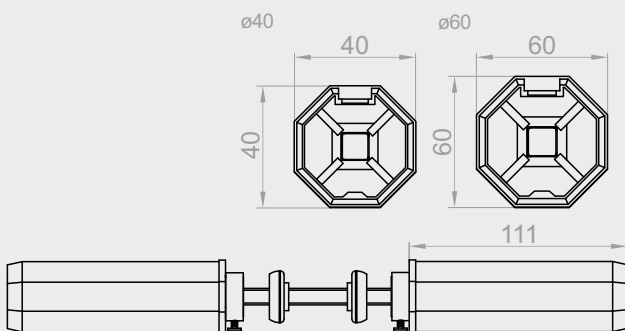
OBS-40/78

Mounting 40/78 for aluminium.



OBS-60

Mounting 60 for aluminium.



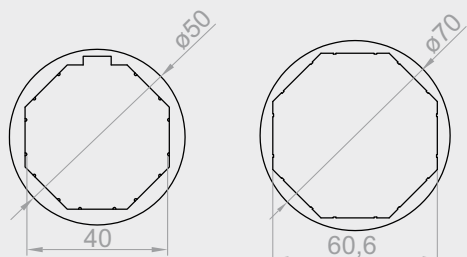
RKZ 34

Round bolt for $\varnothing 40$ pipe.
(to transfer power)

RKZ 35

Round bolt for $\varnothing 60$ pipe.
(to transfer power)



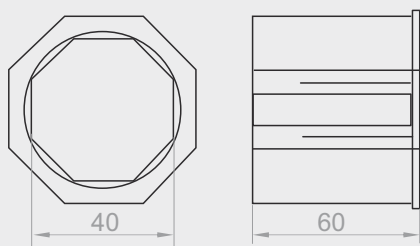


PZ 40/50

Expansion ring 40/50.

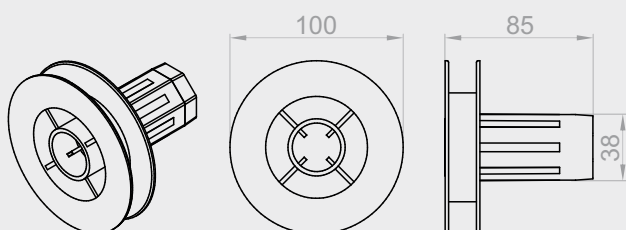
PZ 60/70

Expansion ring 60/70.



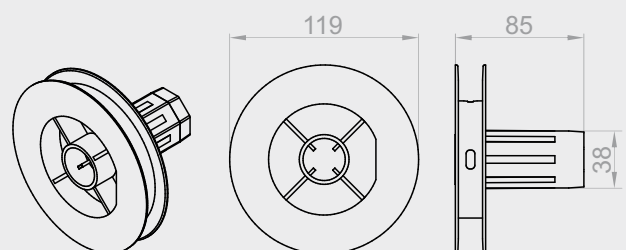
RED-40-60

Reduction 40/60.



KNO-40-125

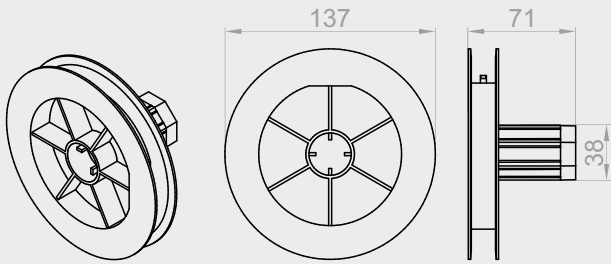
Wheel of the roller with mounting.



KNO-40-137

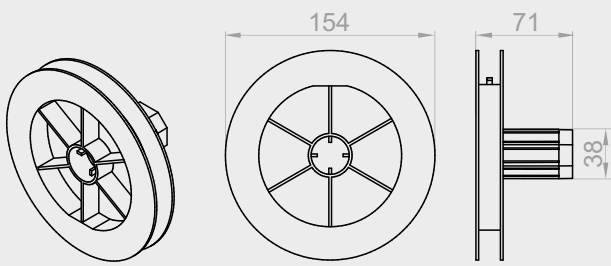
Wheel of the roller with mounting for SK-137.





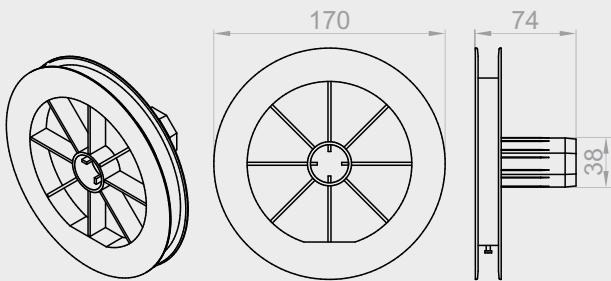
KNO-40-150

Wheel of the roller with mounting for SK-150.



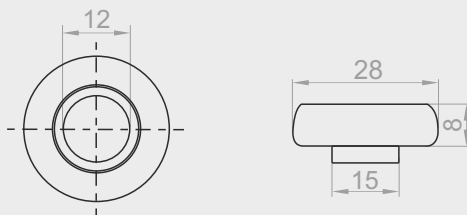
KNO-40-165

Wheel of the roller with mounting for SK-165.



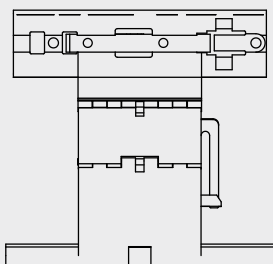
KNO-40-180

Wheel of the roller with mounting for SK-180 and SK-205.



LO-28/12

Bearing for front mounted roller shutter boxes $\varnothing 60$.



WBZ1-40

1-piece blocking hitch bracket for $\varnothing 40$ pipe.

WBZ2-40

2-piece blocking hitch bracket for $\varnothing 40$ pipe.

WBZ1-60

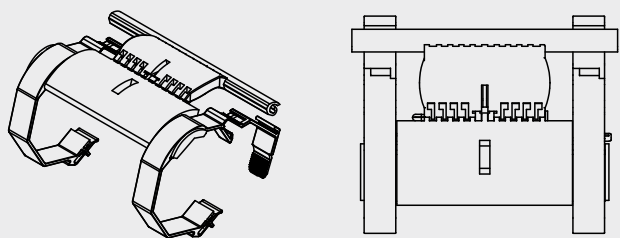
1-piece blocking hitch bracket for $\varnothing 60$ pipe.

WBZ2-60

2-piece blocking hitch bracket for $\varnothing 60$ pipe.

Components for front mounted roller shutter system

Additional components

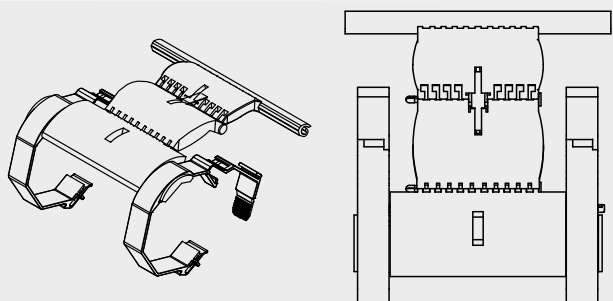


WB1-40 W

2-piece blocking hitch bracket for \varnothing 40 pipe.

WB1-60 W

2-piece blocking hitch bracket for \varnothing 60 pipe.



WB3-40 W

3-piece blocking hitch bracket for \varnothing 40 pipe.

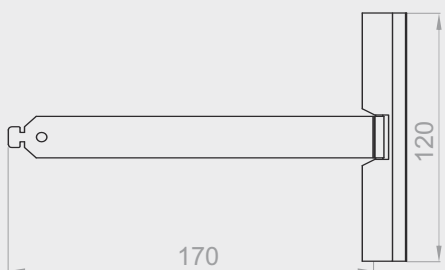
WB3-60 W

3-piece blocking hitch bracket for \varnothing 60 pipe.



WS-37/40-170

Steel hanger 170.



WS-37/40-170 S

Steel hanger 170 (electrically powered roller shutters).

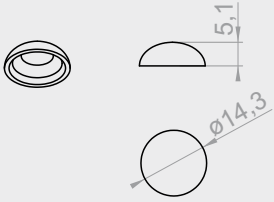


WS-37/40-170 ALU

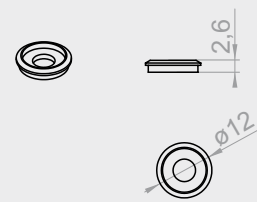
Aluminium hanger.



PPK



PPK-PODKŁADKA PCV

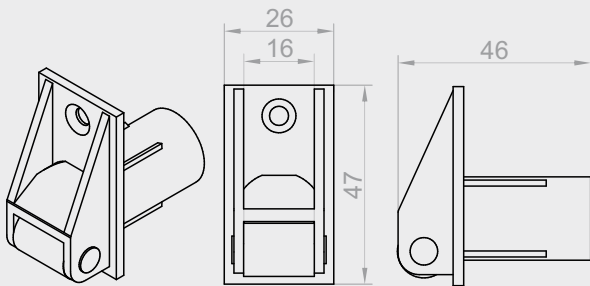


PPK

Screw Caps.

PPK-PODKŁADKA PCV

PVC washer.

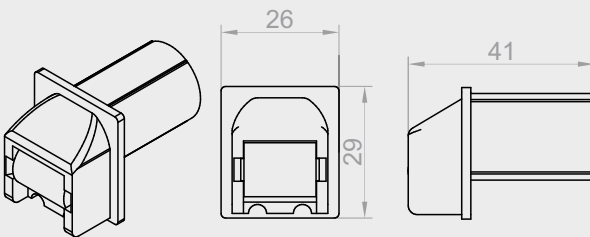


PTR XX

Tape guide with pipe.

Available in colors (XX):

02 - white, 08 - dark brown.

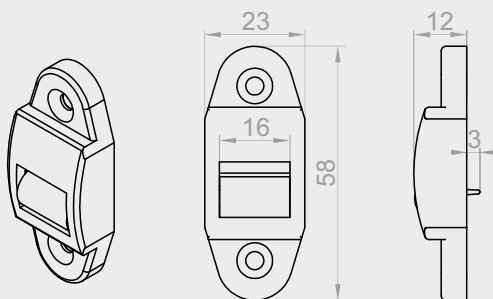


PTRP-SZ XX

Tape guide with pipe and brush seal - straight.

Available in colors (XX):

02 - white, 08 - dark brown, 23 - anthracite.

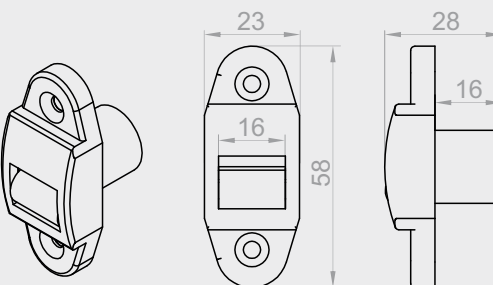


PT-XX N

Flat tape guide with brush seal.

Available in colors (XX):

02 - white, 08 - dark brown.



PTR-XX N

Tape guide with pipe and brush seal.

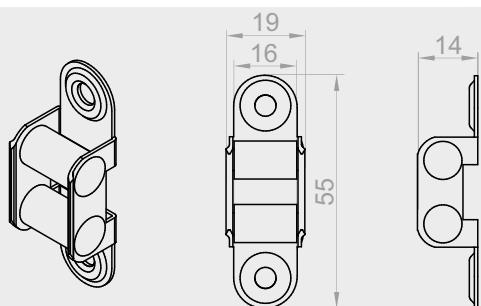
Available in colors (XX):

02 - white, 08 - dark brown, 23 - anthracite.



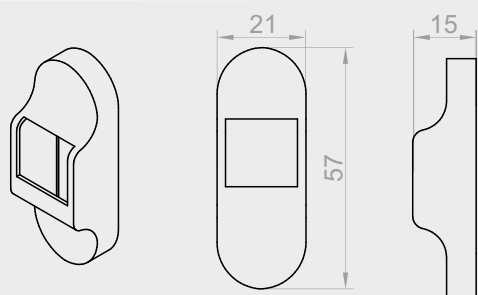
Components for front mounted roller shutter system

Additional components



PTD

Two-roller tape guide.

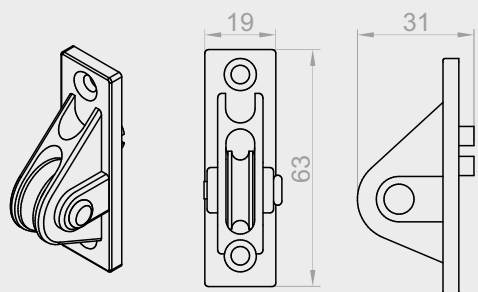


PTD-OPT XX

Cover for two-roller tape guide.

Available in colors (XX):

02 - white, 08 - dark brown.

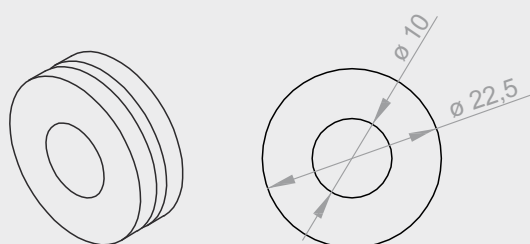


PRS-250-PR XX

Cord guide.

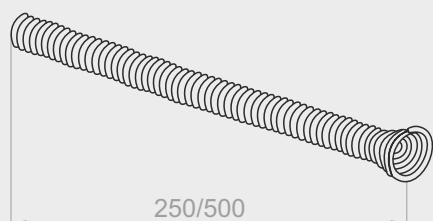
Available in colors (XX):

02 - white, 08 - dark brown, 23 - anthracite.



GWL

Rubber cord leading out.

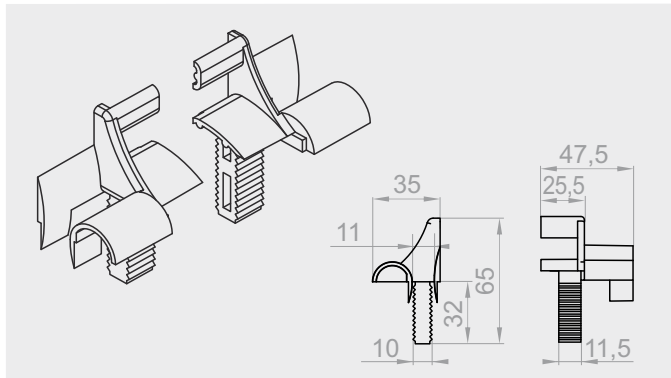


PRS-250-SPR

Spring for the cord guide 250 mm.

PRS-500-SPR

Spring for the cord guide 500 mm.

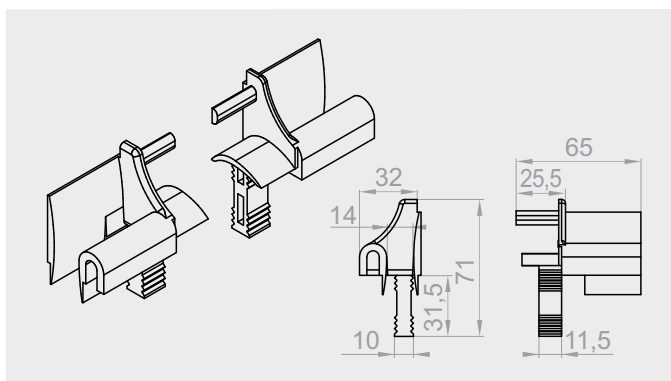


SPP XX

Blade slider in the guide for profile PA 39, PA 45.

Available in colors (XX):

02 - white, 03 - gray, 08 - dark brown, 09 - light brown, 23 - anthracite, 48 - golden oak.

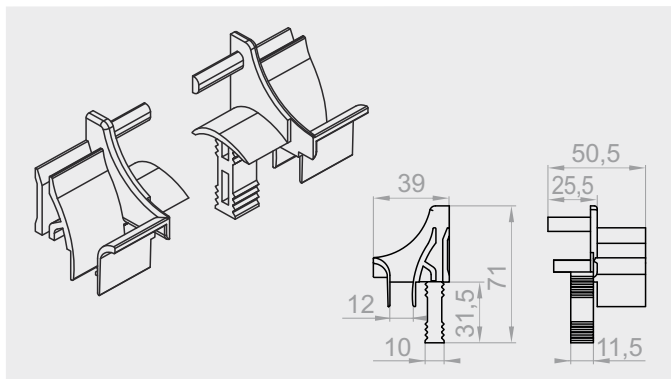


SPP-52 XX

Blade slider for profile PA 52.

Available in colors (XX):

02 - white, 03 - gray, 08 - dark brown, 09 - light brown, 23 - anthracite.

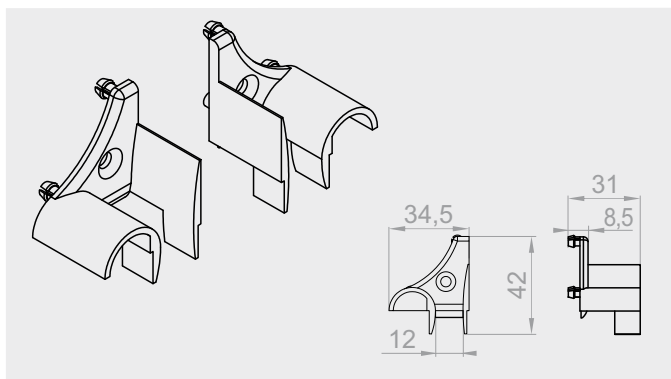


SPPM XX

Blade slider in the guide with mosquito net for profile PA 39, PA 45.

Available in colors (XX):

02 - white, 03 - gray, 08 - dark brown, 23 - anthracite, 48 - golden oak.



SPD XX

Blade slider for dividing for profile PA 39, PA 45.

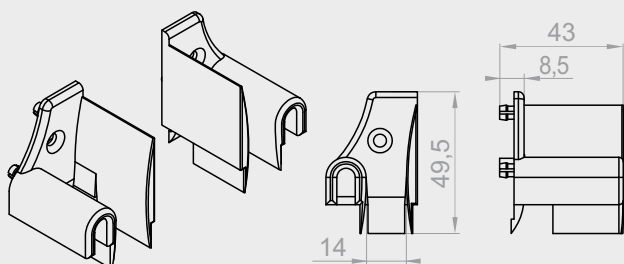
Available in colors (XX):

02 - white, 03 - gray, 08 - dark brown, 09 - light brown, 23 - anthracite.



Components for front mounted roller shutter system

Additional components

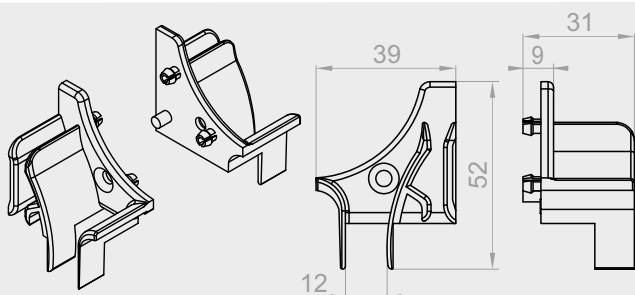


SPD 52 XX

Blade slider for dividing for profile PA 52.

Available in colors (XX):

02 - white, 03 - gray, 08 - dark brown, 09 - light brown, 23 - anthracite, 48 - golden oak.

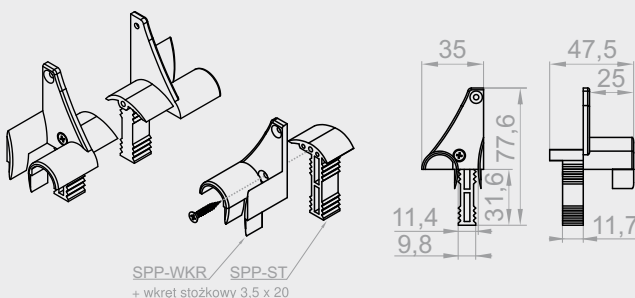


SPDM-XX

Blade slider for dividing with mosquito net for profile PA 39, PA 45.

Available in colors (XX):

02 - white, 03 - gray, 08 - dark brown, 09 - light brown, 23 - anthracite, 48 - golden oak.

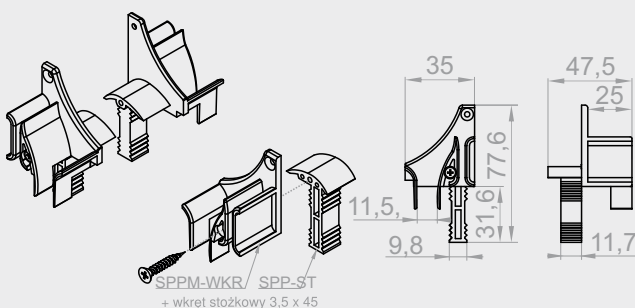


SPP-WYM-XX

Replaceable blade slider in the guide for profile PA 39, PA 45.

Available in colors (XX):

02 - white, 03 - gray, 08 - dark brown, 09 - light brown.

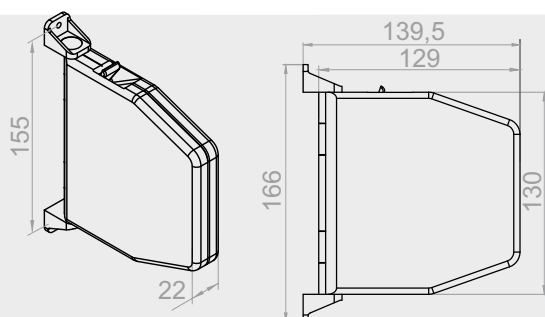


SPPM-WYM-XX

Replaceable blade slider in the guide with mosquito net for profile PA 39, PA 45.

Available in colors (XX):

02 - white, 03 - gray, 08 - dark brown, 09 - light brown.



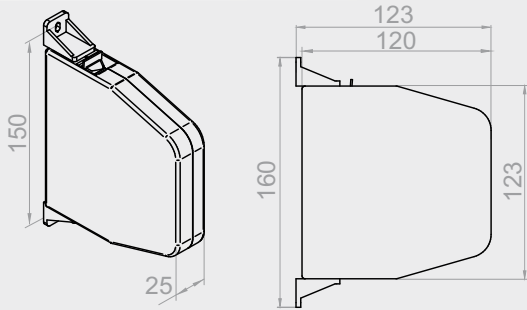
ZT-5M XX

5m white tape coiler.

Available in colors (XX):

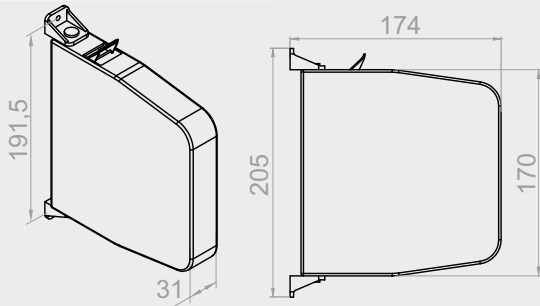
02 - white, 08 - dark brown.





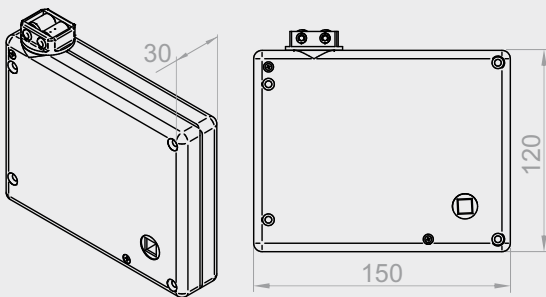
ZT/L-5M-XX

Universal tape/ cord coiler up to 5m.
Available in colors (XX):
23 - anthracite.



ZT-11M XX

11 m tape coiler.
Available in colors (XX):
02 - white, 08 - dark brown.

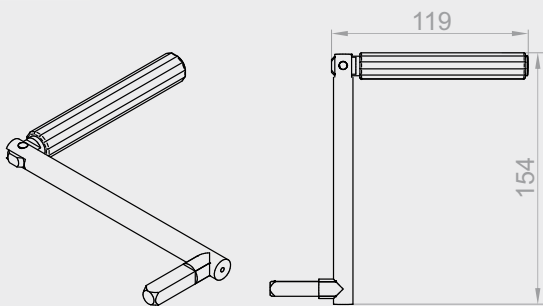


KPTKM-XX

Cassette with tape transmission.
Available in colors (XX):
02 - white, 08 - dark brown.

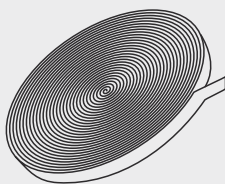
KPLKM-XX

Cassette with cord transmission.
Available in (XX) colors:
02 - white, 08 - dark brown.



KRM-140

Mignon crank 140mm.

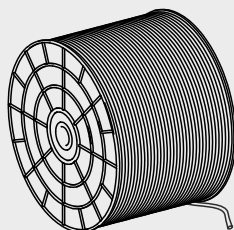


TS-14-XX

Tape.
Available in colors (XX):
03 - gray, 08 - dark brown, 23 - anthracite.

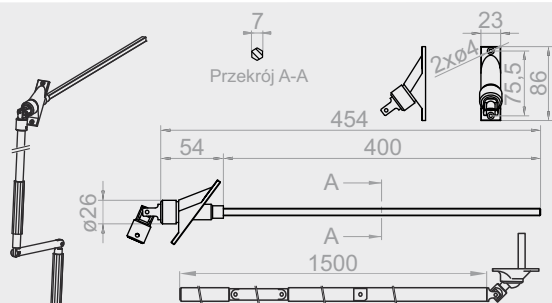
Components for front mounted roller shutter system

Additional components



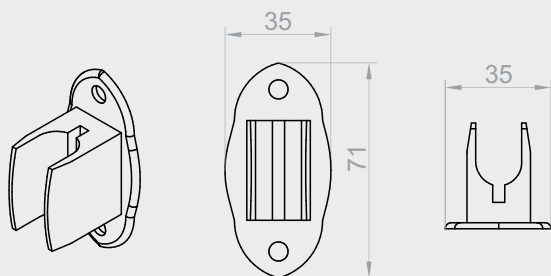
LN-45-XX

4.5 mm nylon cord.
Available in colors (XX):
02 - white, 09 - light brown, 23 - anthracite.



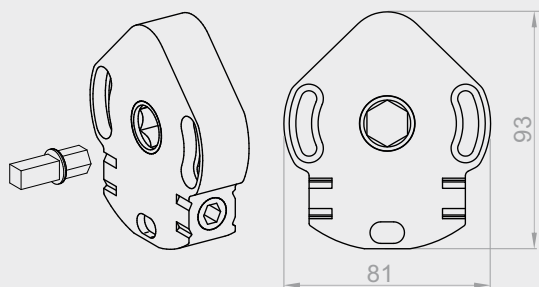
KRH-90/1500

Cardan 90 with crank 1500 mm.



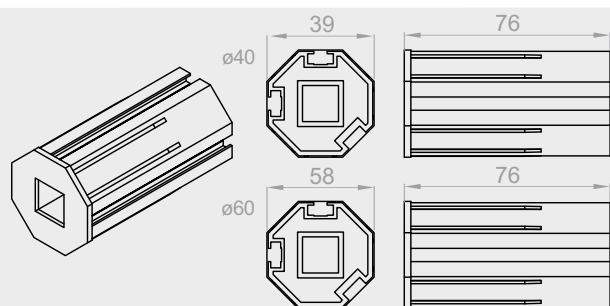
U-KRD

Handle for mounting the crank.



ACE-1-11

Crank mechanism - 32 kg.



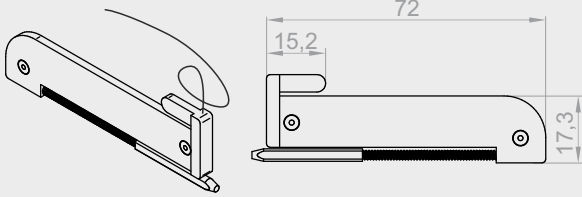
OBS-40-ACE

ø40 mounting for the ACE mechanism.

OBS-60-ACE

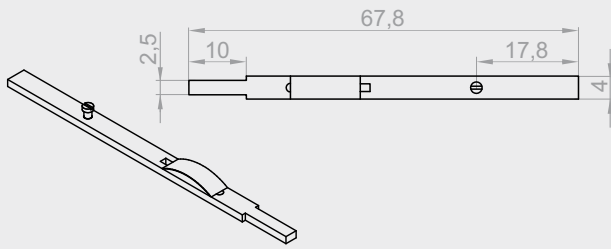
ø60 mounting for the ACE mechanism.





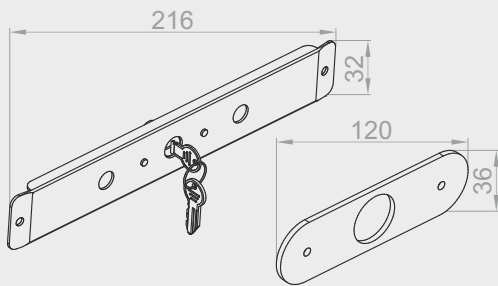
RA

Automatic bolt.
Minimum roller shutter width - 45 cm.
Minimum roller shutter height - 90 cm.



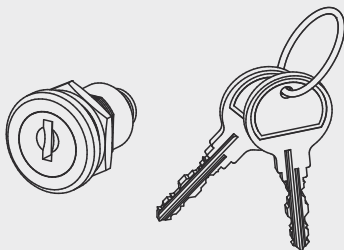
ZR

Latch (manual bolt).
Minimum width of the roller shutter - 45 cm.



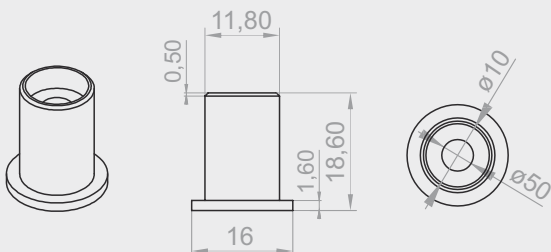
ZB

Cylinder lock, set of keys (3 pieces) and covering plate.
The covering plate is mounted as standard from the outside.
Minimum roller shutter width - 45 cm.
Available in colors (XX):
01 - silver, 02 - white, 03 - gray, 04 - dark beige,
05 - light beige, 07 - light gray, 08 - dark brown,
09 - light brown, 13 - green, 15 - cream white, 16 - ivory,
19 - maroon, 20 - black, 23 - anthracite, 26 - steel olive.



ZM-SKK

Key lock.

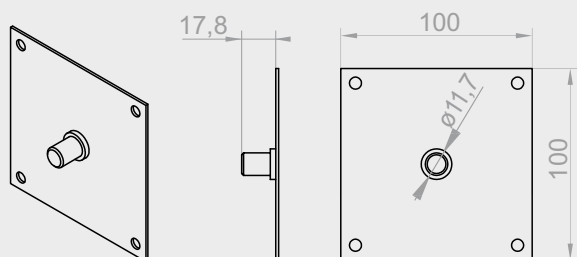


TBP

Pin for division sides.

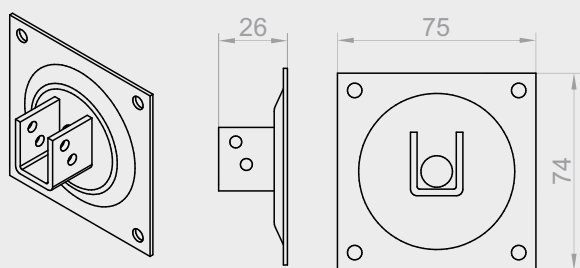
Components for front mounted roller shutter system

Additional components



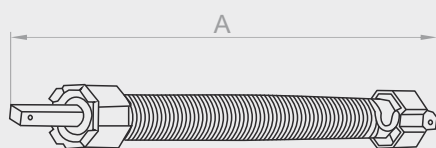
P-ACE

Plate for the ACE mechanism.



P-SPR

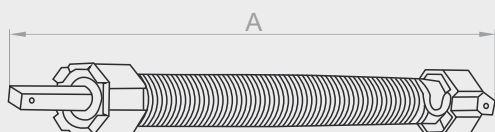
Spring plate.



SPR-40

Spring for the $\varnothing 40$ roller pipe.

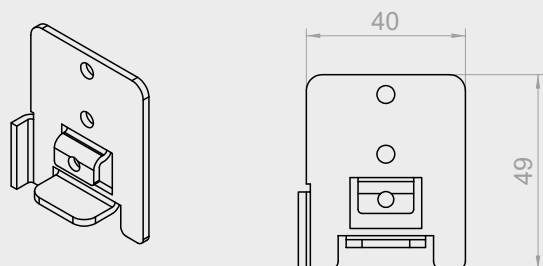
| Type/Lifting capacity (kg) | Max. height of the roller shutter (cm) | Rotations | Spring length A (mm) |
|----------------------------|--|-----------|----------------------|
| SPR-40-10 | 150 | 11 | 600 |
| SPR-40-15 | 250 | 22 | 920 |
| SPR-40-24 | 200 | 18 | 760 |



SPR-60

Spring for the $\varnothing 60$ roller pipe.

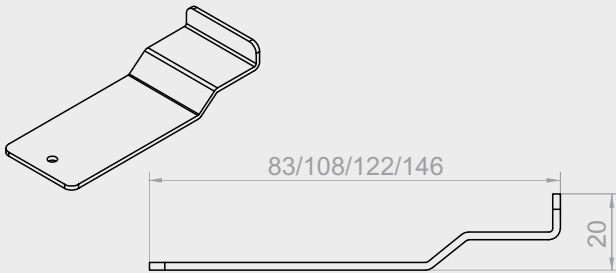
| Type/Lifting capacity (kg) | Max. height of the roller shutter (cm) | Rotations | Spring length A (mm) |
|----------------------------|--|-----------|----------------------|
| SPR-60-12 | 220 | 21 | 750 |
| SPR-60-15 | 200 | 19 | 695 |
| SPR-60-18 | 270 | 19 | 860 |
| SPR-60-20 | 270 | 25 | 1120 |
| SPR-60-24 | 200 | 12 | 860 |
| SPR-60-34 | 270 | 22 | 940 |
| SPR-60-45 | 220 | 17 | 1150 |
| SPR-60-62 | 200 | 13 | 940 |



WWS-KR

IT2000® system inspection cover bracket holder.

IT2000



WS-KR-137

IT2000® inspection cover bracket for the box 137.

WS-KR-165

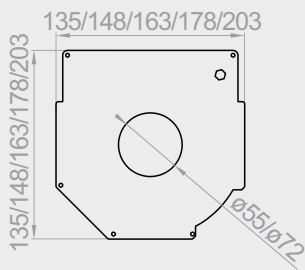
IT2000® inspection cover bracket for the box 165.

WS-KR-180

IT2000® inspection cover bracket for the box 180.

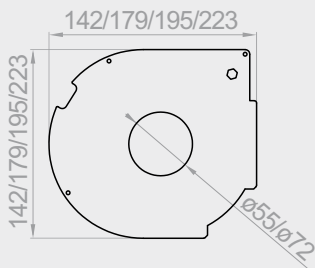
WS-KR-205

IT2000® inspection cover bracket for the box 205.



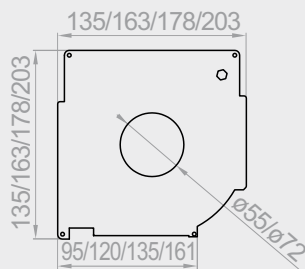
OWS

Inner cover of the side for all ST2000® system box sizes for ø40, ø60 pipes.



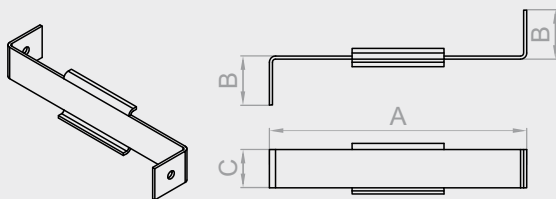
OWO

Inner cover of the side for all OS2000®, OL2000® system box sizes for ø40, ø60 pipes.



OWI

Inner cover of the side for all IT2000® system box sizes for ø40, ø60 pipes.

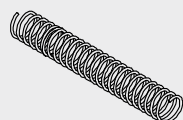
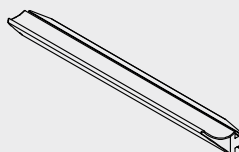
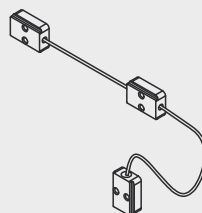
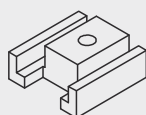
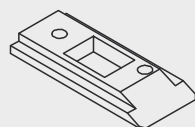
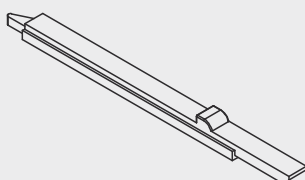
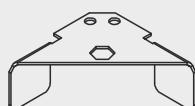


UMIT

IT2000® system inspection cover bracket holder.

| | A (mm) | B (mm) | C (mm) |
|-------------|--------|--------|--------|
| UMIT-137 | 140 | 32 | 25 |
| UMIT-137-20 | 160 | 32 | 25 |
| UMIT-165 | 168 | 32 | 25 |
| UMIT-165-20 | 188 | 32 | 25 |
| UMIT-180 | 183 | 32 | 25 |
| UMIT-180-20 | 203 | 32 | 25 |
| UMIT-205 | 208 | 32 | 25 |
| UMIT-205-20 | 228 | 32 | 25 |





MKZ-020

Spring mechanism for mosquito nets -set (spring MZZ-040)

MKZ-040

Spring mechanism for mosquito nets -set (spring MZZ-020)

MKZ-060

Spring mechanism for mosquito nets -set (spring MZZ-030)

MZZ-020, MZZ-030, MZZ-040 - 1 pc

The spring of the mosquito net, used in a front mounted roller shutter with a width of 55-60cm (MZZ-020), 60 - 65 cm (MZZ-030), over 65 cm (MZZ-040)..

M-RZ-040 - 2 pcs

Handle for front mounted roller shutter mosquito net.

MZW-010 - 1 szt.

Mounting for the mosquito net pipe in the front mounted roller shutter.

M-RW-170-XX L+P - 1 pc L + 1 pc R

Bottom lath latch for the mosquito net.

Available in colors (XX):

02 - white, 03 - gray, 05 - light beige, 08 - dark brown, 09 - light brown, 16 - ivory, 20 - black, 23 - anthracite.

M-RW-180-XX - 2 pcs

Latch clip.

Available in colors (XX):

02 - white, 03 - gray, 05 - light beige, 08 - dark brown, 09 - light brown, 16 - ivory, 20 - black, 23 - anthracite.

M-RW-200-XX - 2 pcs

Latch lock in the bottom lath of the mosquito net.

Available in colors (XX):

02 - white, 03 - gray, 05 - light beige, 08 - dark brown, 09 - light brown, 16 - ivory, 20 - black, 23 - anthracite.

MZW-050-XX - 1 pc

Cord handle in the bottom lath of the mosquito net.

Available in colors (XX):

02 - white, 03 - gray, 05 - light beige, 08 - dark brown, 09 - light brown, 16 - ivory, 20 - black, 23 - anthracite.

M-RW-080-XX - 2 pcs

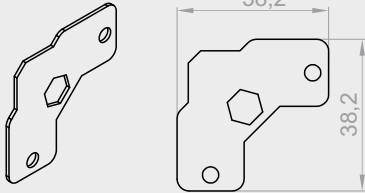
Bottom lath handle of the mosquito net.

Available in colors (XX):

02 - white, 03 - gray, 05 - light beige, 08 - dark brown, 09 - light brown, 16 - ivory, 20 - black, 23 - anthracite.

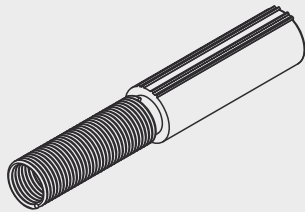
M-RN-070 - 2 pcs

Spring for cassette`s latch.



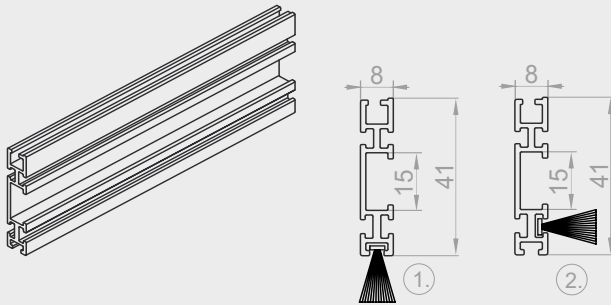
M-RZ-060

Handle for division in front mounted roller shutter mosquito net.



ABS CZ

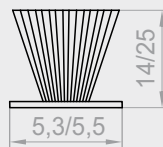
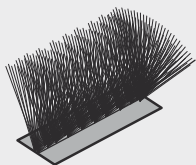
Slowing system for mosquito net.



LDM-41x8 XX

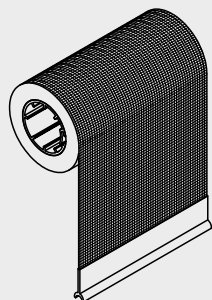
Mosquito net bottom lath with seal (mounted from the bottom - Fig.1, front-mounted - Fig.2).

| Index/color (XX) | 01 - silver | 02 - white | 03 - gray | 04 - dark beige | 05 - light beige | 07 - light gray | 08 - dark brown | 09 - light brown | 13 - green | 15 - cream white | 16 - ivory | 19 - maroon | 20 - black | 22 - mahogany | 23 - anthracite | 26 - steel olive | 27 - basalt gray | 30 - nut | 34 - bog oak | 48 - golden oak | 54 - winchester | |
|------------------|-------------|------------|-----------|-----------------|------------------|-----------------|-----------------|------------------|------------|------------------|------------|-------------|------------|---------------|-----------------|------------------|------------------|----------|--------------|-----------------|-----------------|--|
| LDM-41x8 XX | X | X | X | X | X | X | X | X | X | X | X | X | X | X | X | X | X | | | | | |



SP-5,3x14-3P

Brush seal in the mosquito net bottom lath.



MOS-CZARNA FI23 1,6

Mosquito net 6000 x 1600 mm - black.

MOS-SZARA FI23 1,7

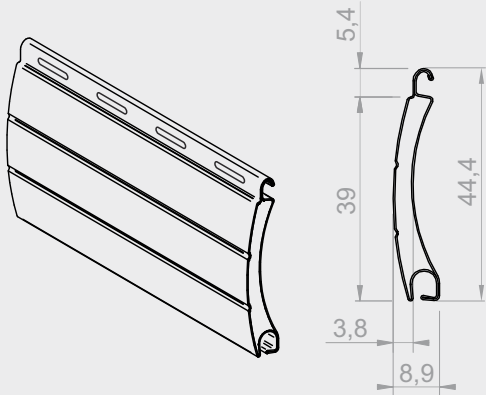
Mosquito net 6000 x 1700 mm - gray.

MOS-CZARNA FI23 2,6

Mosquito net 6000 x 2600 mm - black.

MOS-SZARA FI23 2,6

Mosquito net 6000 x 2600 mm - gray.



PA 39/0k

PA 39 Aluminium profile - perforated.

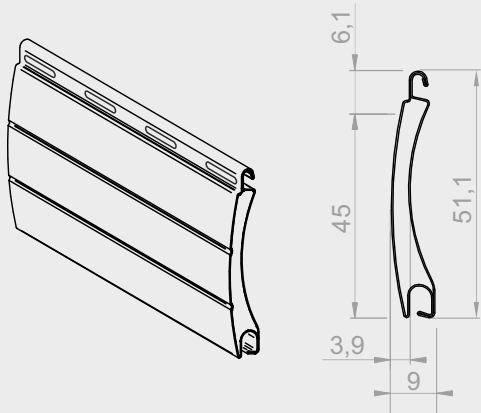
PA 39/1k

PA 39 Aluminium profile - non-perforated.

| | |
|---------------------------------|--------------------|
| Profile height | 39 mm |
| Profile thickness | 8,9 mm |
| Profile weight 1 m ² | 2,8 kg |
| Maximum profile length | 6 rm |
| Number of laths 1m high | 26 pcs |
| Maximum area | 6,5 m ² |
| Maximum roller shutter width | 2500 mm |

Profile colors (k)

| | | | | | | | | | | | | | | | | | | | | | | |
|-------------|------------|-----------|-----------------|------------|-----------------|-----------------|------------|------------|------------------|------------|-------------|------------|---------------|-----------------|-----------------------------|------------------|------------------|-------------|--------------|-------------------------|-----------------|-----------------|
| 01 - silver | 02 - white | 03 - grey | 04 - dark beige | 05 - beige | 07 - light grey | 08 - dark brown | 09 - brown | 13 - green | 15 - cream white | 16 - ivory | 19 - maroon | 20 - black | 22 - mahogany | 23 - anthracite | 24 - steel anthracite DB703 | 26 - steel olive | 27 - basalt grey | 30 - walnut | 34 - bog oak | 42 - wooddec turner oak | 48 - golden oak | 54 - winchester |
|-------------|------------|-----------|-----------------|------------|-----------------|-----------------|------------|------------|------------------|------------|-------------|------------|---------------|-----------------|-----------------------------|------------------|------------------|-------------|--------------|-------------------------|-----------------|-----------------|



PA 45/0k

PA 45 Aluminium profile - perforated.

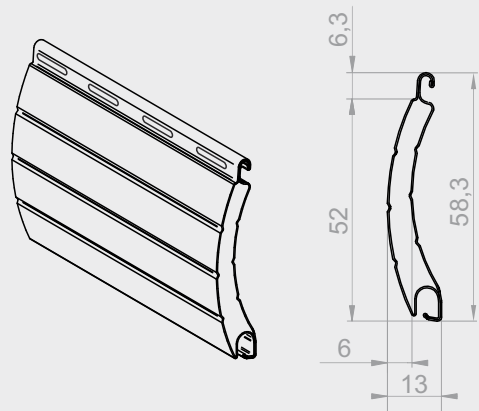
PA 45/1k

PA 45 Aluminium profile - non-perforated.

| | |
|---------------------------------|--------------------|
| Profile height | 45 mm |
| Profile thickness | 9 mm |
| Profile weight 1 m ² | 2,9 kg |
| Maximum profile length | 6 rm |
| Number of laths 1m high | 23 pcs |
| Maximum area | 6,5 m ² |
| Maximum roller shutter width | 3000 mm |

Profile colors (k)

| | | | | | | | | | | | | | | | | | | | |
|-------------|------------|-----------|-----------------|------------|-----------------|-----------------|------------|------------|------------------|------------|-------------|------------|---------------|-----------------|------------------|-------------|-------------------------|-----------------|-----------------|
| 01 - silver | 02 - white | 03 - grey | 04 - dark beige | 05 - beige | 07 - light grey | 08 - dark brown | 09 - brown | 13 - green | 15 - cream white | 16 - ivory | 19 - maroon | 20 - black | 22 - mahogany | 23 - anthracite | 26 - steel olive | 30 - walnut | 42 - wooddec turner oak | 48 - golden oak | 54 - winchester |
|-------------|------------|-----------|-----------------|------------|-----------------|-----------------|------------|------------|------------------|------------|-------------|------------|---------------|-----------------|------------------|-------------|-------------------------|-----------------|-----------------|



PA 52/0k

PA 52 Aluminium profile - perforated.

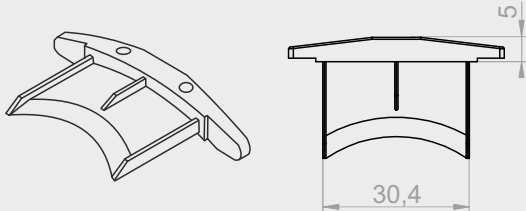
PA 52/1k

PA 52 Aluminium profile - non-perforated.

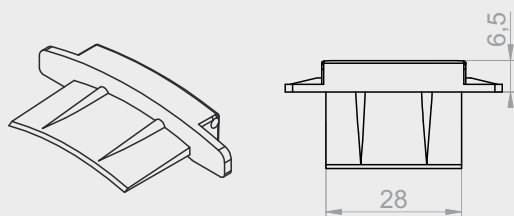
| | |
|---------------------------------|--------------------|
| Profile height | 52 mm |
| Profile thickness | 13 mm |
| Profile weight 1 m ² | 3,0 kg |
| Maximum profile length | 6 m |
| Number of laths 1m high | 19 pcs |
| Maximum area | 8,0 m ² |
| Maximum roller shutter width | 3700 mm |

Profile colors (k)

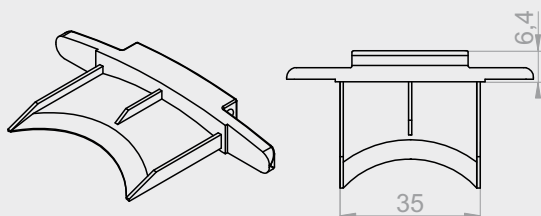
| | | | | | | | | | | | | |
|-------------|------------|-----------|------------|-----------------|-----------------|------------|------------------|------------|-----------------|------------------|-------------|-----------------|
| 01 - silver | 02 - white | 03 - gray | 05 - beige | 07 - light grey | 08 - dark brown | 09 - brown | 15 - cream white | 16 - ivory | 23 - anthracite | 26 - steel olive | 30 - walnut | 48 - golden oak |
| | | | | | | | | | | | | |



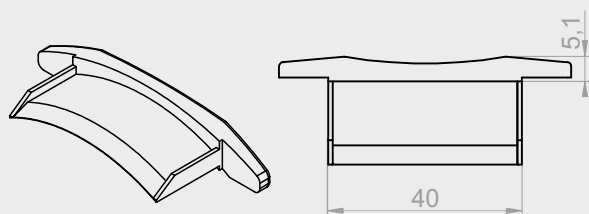
APA 39 M
PA 39 Profile plug.



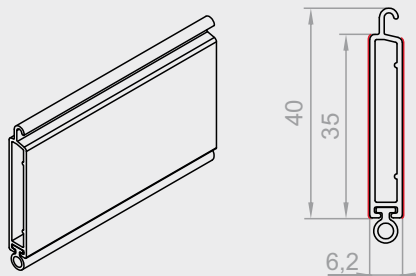
APA 37-R
PA 39 Profile plug bolt.



APA 45-R
PA 45 Profile plug bolt.



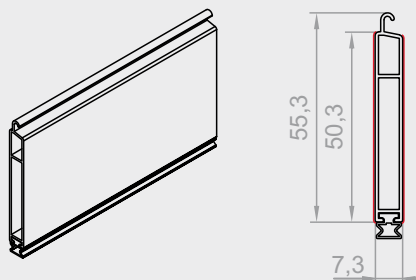
APA 52
PA 52 Profile plug.



LD-35 MINI

Bottom lath for profiles PA 39 with KA-44B seal.

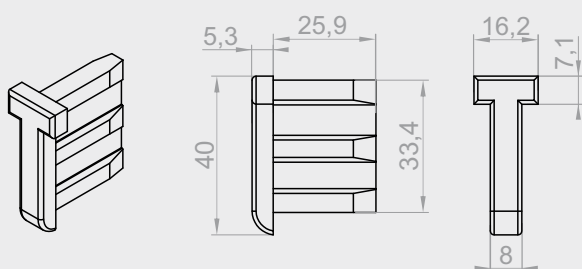
| Index/color (XX) | 01 - silver | 02 - white | 03 - gray | 04 - dark beige | 05 - light beige | 07 - light gray | 08 - dark brown | 09 - light brown | 13 - green | 15 - cream white | 16 - ivory | 19 - maroon | 20 - black | 22 - mahogany | 23 - anthracite | 26 - steel olive | 27 - basalt gray | 30 - nut | 34 - bog oak | 48 - golden oak | 54 - winchester | |
|------------------|-------------|------------|-----------|-----------------|------------------|-----------------|-----------------|------------------|------------|------------------|------------|-------------|------------|---------------|-----------------|------------------|------------------|----------|--------------|-----------------|-----------------|--|
| LD-35 MINI XX | X | X | X | X | X | X | X | X | X | X | X | X | X | X | X | X | X | X | | | | |



LD-37

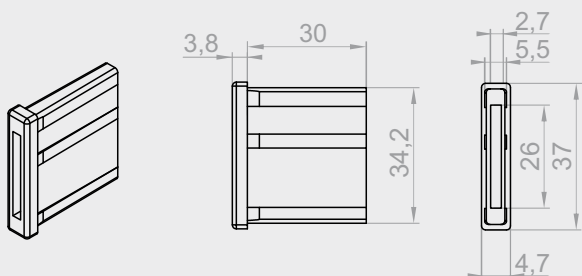
Bottom lath for profiles PA 39, 45, 52 with KA-44 seal.

| Index/color (XX) | 01 - silver | 02 - white | 03 - gray | 04 - dark beige | 05 - light beige | 07 - light gray | 08 - dark brown | 09 - light brown | 13 - green | 15 - cream white | 16 - ivory | 19 - maroon | 20 - black | 22 - mahogany | 23 - anthracite | 26 - steel olive | 27 - basalt gray | 30 - nut | 34 - bog oak | 48 - golden oak | 54 - winchester | |
|------------------|-------------|------------|-----------|-----------------|------------------|-----------------|-----------------|------------------|------------|------------------|------------|-------------|------------|---------------|-----------------|------------------|------------------|----------|--------------|-----------------|-----------------|--|
| LD-37 XX | X | X | X | X | X | X | X | X | X | X | X | X | X | X | X | X | X | X | | | | |



ZLD

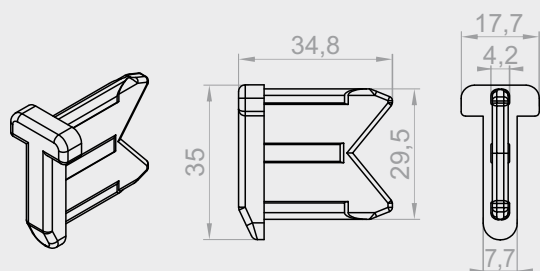
Bottom lath plug.



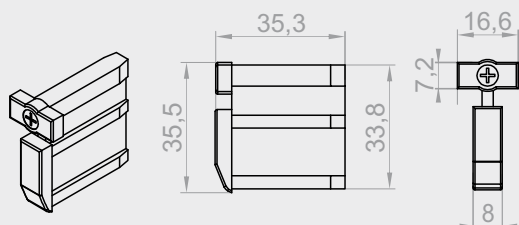
ZLD37-ZB

Bottom lath plug 37 for cylinder lock.

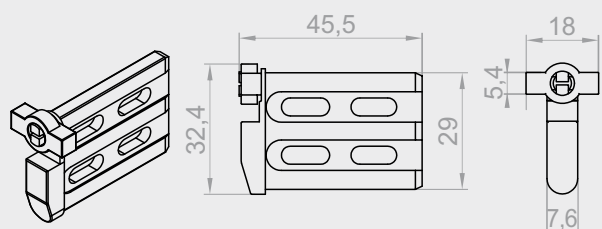




ZLD MINI
MINI bottom lath plug.



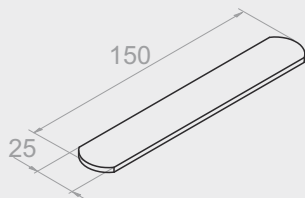
ZLD-OBR
Rotational bottom lath plug.



ZLD-OBR MINI
Rotational plug for the mini bottom lath.

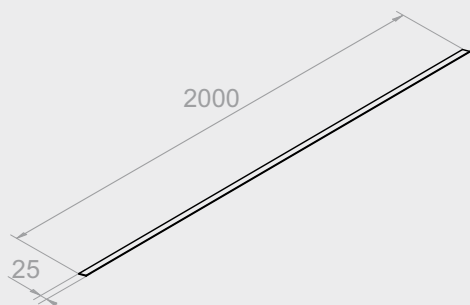


Components for front mounted roller shutter system Bottom laths, additional components



LD-OBCEIAZNIK LD-37

Bottom lath weight 15 cm.

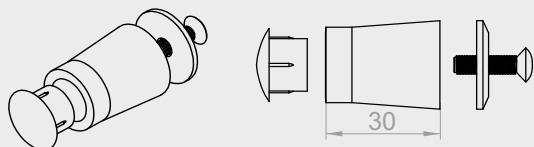


LD-OBCEIAZNIK ZB

200 cm bottom lath weight - for cylinder lock.



BF



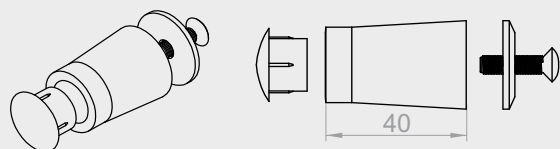
BF (without the profile plug) BF-ZAT

} SET

Bottom lath buffer

| Index/color (XX) | 01 - silver | 02 - white | 03 - gray | 04 - dark beige | 05 - light beige | 07 - light gray | 08 - dark brown | 09 - light brown | 13 - green | 15 - cream white | 16 - ivory | 19 - maroon | 20 - black | 22 - mahogany | 23 - anthracite | 26 - steel olive | 27 - basalt gray | 30 - nut | 34 - bog oak | 48 - golden oak | 54 - winchester | |
|------------------|-------------|------------|-----------|-----------------|------------------|-----------------|-----------------|------------------|------------|------------------|------------|-------------|------------|---------------|-----------------|------------------|------------------|----------|--------------|-----------------|-----------------|--|
| BF XX/BF-ZAT XX | X | X | X | X | X | X | X | X | X | | | X | X | X | X | X | X | | | X | | |

BF-40 MM



BF-40 MM (without the profile plug) BF-ZAT

} SET

Bottom lath buffer

| Index/color (XX) | 01 - silver | 02 - white | 03 - gray | 04 - dark beige | 05 - light beige | 07 - light gray | 08 - dark brown | 09 - light brown | 13 - green | 15 - cream white | 16 - ivory | 19 - maroon | 20 - black | 22 - mahogany | 23 - anthracite | 26 - steel olive | 27 - basalt gray | 30 - nut | 34 - bog oak | 48 - golden oak | 54 - winchester | |
|------------------|-------------|------------|-----------|-----------------|------------------|-----------------|-----------------|------------------|------------|------------------|------------|-------------|------------|---------------|-----------------|------------------|------------------|----------|--------------|-----------------|-----------------|--|
| PP-66-XX | X | X | | X | X | X | X | X | | | | | | | X | X | X | | | X | | |



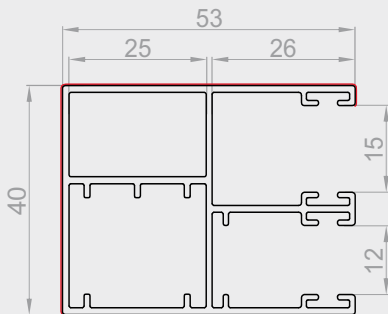


PP-53

Straight guide 53 mm (for profiles PA 39, PA 45).

| Index/color (XX) | 01 - silver | 02 - white | 03 - gray | 04 - dark beige | 05 - light beige | 07 - light gray | 08 - dark brown | 09 - light brown | 13 - green | 15 - cream white | 16 - ivory | 19 - maroon | 20 - black | 22 - mahogany | 23 - anthracite | 26 - steel olive | 27 - basalt gray | 30 - nut | 34 - bog oak | 48 - golden oak | 54 - winchester | |
|------------------|-------------|------------|-----------|-----------------|------------------|-----------------|-----------------|------------------|------------|------------------|------------|-------------|------------|---------------|-----------------|------------------|------------------|----------|--------------|-----------------|-----------------|--|
| PP-53-XX | X | X | X | X | X | X | X | X | X | X | X | X | X | X | X | X | X | | | | | |

+ all veneer colors

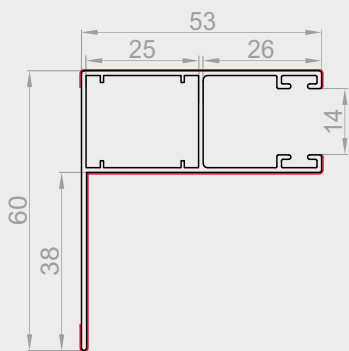


PPDM-53

Guide for roller shutters with mosquito net (for profiles PA 39, PA 45).

| Index/color (XX) | 01 - silver | 02 - white | 03 - gray | 04 - dark beige | 05 - light beige | 07 - light gray | 08 - dark brown | 09 - light brown | 13 - green | 15 - cream white | 16 - ivory | 19 - maroon | 20 - black | 22 - mahogany | 23 - anthracite | 26 - steel olive | 27 - basalt gray | 30 - nut | 34 - bog oak | 48 - golden oak | 54 - winchester | |
|------------------|-------------|------------|-----------|-----------------|------------------|-----------------|-----------------|------------------|------------|------------------|------------|-------------|------------|---------------|-----------------|------------------|------------------|----------|--------------|-----------------|-----------------|--|
| PPDM-53-XX | X | X | X | X | X | X | X | X | X | X | X | X | X | X | X | X | X | | | | | |

+ all veneer colors

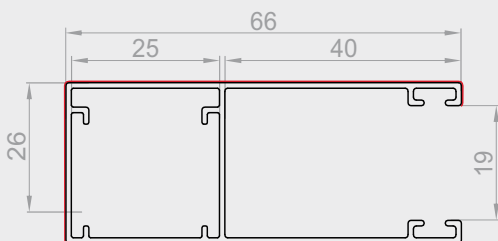


PK-53

Corner guide 53 mm (for profiles PA 39, PA 45).

| Index/color (XX) | 01 - silver | 02 - white | 03 - gray | 04 - dark beige | 05 - light beige | 07 - light gray | 08 - dark brown | 09 - light brown | 13 - green | 15 - cream white | 16 - ivory | 19 - maroon | 20 - black | 22 - mahogany | 23 - anthracite | 26 - steel olive | 27 - basalt gray | 30 - nut | 34 - bog oak | 48 - golden oak | 54 - winchester | |
|------------------|-------------|------------|-----------|-----------------|------------------|-----------------|-----------------|------------------|------------|------------------|------------|-------------|------------|---------------|-----------------|------------------|------------------|----------|--------------|-----------------|-----------------|--|
| PK-53-XX | X | X | X | X | X | X | X | X | X | X | X | X | X | X | X | X | X | | | | | |

+ all veneer colors



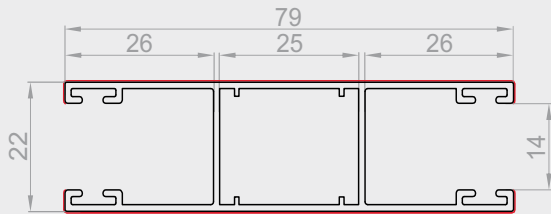
PP-66

Straight guide 66 mm (for profiles PA 52).

| Index/color (XX) | 01 - silver | 02 - white | 03 - gray | 04 - dark beige | 05 - light beige | 07 - light gray | 08 - dark brown | 09 - light brown | 13 - green | 15 - cream white | 16 - ivory | 19 - maroon | 20 - black | 22 - mahogany | 23 - anthracite | 26 - steel olive | 27 - basalt gray | 30 - nut | 34 - bog oak | 48 - golden oak | 54 - winchester | |
|------------------|-------------|------------|-----------|-----------------|------------------|-----------------|-----------------|------------------|------------|------------------|------------|-------------|------------|---------------|-----------------|------------------|------------------|----------|--------------|-----------------|-----------------|--|
| PP-66-XX | X | X | X | X | X | X | X | X | X | X | X | X | X | X | X | X | X | | | | | |

+ all veneer colors

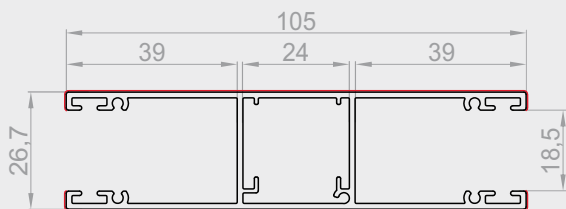




PPD-79-XX

Double guide 79 mm (for profiles PA 39, PA 45).

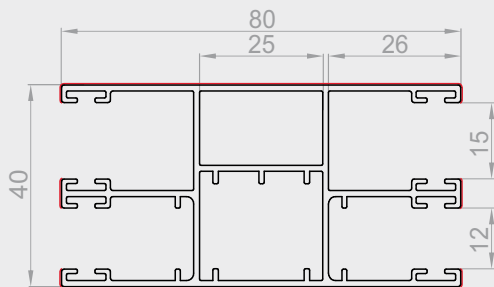
| Index/color (XX) | 01 - silver | 02 - white | 03 - gray | 04 - dark beige | 05 - light beige | 07 - light gray | 08 - dark brown | 09 - light brown | 13 - green | 15 - cream white | 16 - ivory | 19 - maroon | 20 - black | 22 - mahogany | 23 - anthracite | 26 - steel olive | 27 - basalt gray | 30 - nut | 34 - bog oak | 48 - golden oak | 54 - winchester | |
|---------------------|-------------|------------|-----------|-----------------|------------------|-----------------|-----------------|------------------|------------|------------------|------------|-------------|------------|---------------|-----------------|------------------|------------------|----------|--------------|-----------------|-----------------|--|
| PPD-79-XX | X | X | X | X | X | X | X | X | X | X | X | X | X | X | X | X | X | X | | | | |
| + all veneer colors | | | | | | | | | | | | | | | | | | | | | | |



PPDW-105

Double guide 105 mm (for profiles PA 52).

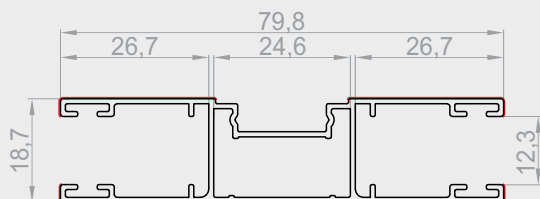
| Index/color (XX) | 01 - silver | 02 - white | 03 - gray | 04 - dark beige | 05 - light beige | 07 - light gray | 08 - dark brown | 09 - light brown | 13 - green | 15 - cream white | 16 - ivory | 19 - maroon | 20 - black | 22 - mahogany | 23 - anthracite | 26 - steel olive | 27 - basalt gray | 30 - nut | 34 - bog oak | 48 - golden oak | 54 - winchester | |
|---------------------|-------------|------------|-----------|-----------------|------------------|-----------------|-----------------|------------------|------------|------------------|------------|-------------|------------|---------------|-----------------|------------------|------------------|----------|--------------|-----------------|-----------------|--|
| PPDW-105-XX | X | X | X | X | X | X | X | X | X | X | X | X | X | X | X | X | X | X | | | | |
| + all veneer colors | | | | | | | | | | | | | | | | | | | | | | |



PPDM-80-XX

Guide for roller shutters with mosquito net (for profiles PA 39, PA 45).

| Index/color (XX) | 01 - silver | 02 - white | 03 - gray | 04 - dark beige | 05 - light beige | 07 - light gray | 08 - dark brown | 09 - light brown | 13 - green | 15 - cream white | 16 - ivory | 19 - maroon | 20 - black | 22 - mahogany | 23 - anthracite | 26 - steel olive | 27 - basalt gray | 30 - nut | 34 - bog oak | 48 - golden oak | 54 - winchester | |
|---------------------|-------------|------------|-----------|-----------------|------------------|-----------------|-----------------|------------------|------------|------------------|------------|-------------|------------|---------------|-----------------|------------------|------------------|----------|--------------|-----------------|-----------------|--|
| PPDM-80-XX | X | X | X | X | X | X | X | X | X | X | X | X | X | X | X | X | X | X | | | | |
| + all veneer colors | | | | | | | | | | | | | | | | | | | | | | |

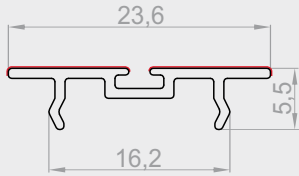


PPMP-79-XX

Double division guide for mosquito net.

| Index/color (XX) | 01 - silver | 02 - white | 03 - gray | 04 - dark beige | 05 - light beige | 07 - light gray | 08 - dark brown | 09 - light brown | 13 - green | 15 - cream white | 16 - ivory | 19 - maroon | 20 - black | 22 - mahogany | 23 - anthracite | 26 - steel olive | 27 - basalt gray | 30 - nut | 34 - bog oak | 48 - golden oak | 54 - winchester | |
|---------------------|-------------|------------|-----------|-----------------|------------------|-----------------|-----------------|------------------|------------|------------------|------------|-------------|------------|---------------|-----------------|------------------|------------------|----------|--------------|-----------------|-----------------|--|
| PPMP-79-XX | X | X | X | X | X | X | X | X | X | X | X | X | X | X | X | X | X | X | | | | |
| + all veneer colors | | | | | | | | | | | | | | | | | | | | | | |



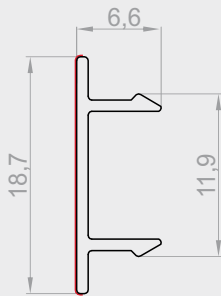


ZSKW XX

End cap with a channel for a gasket.

| Index/color (XX) | 01 - silver | 02 - white | 03 - gray | 04 - dark beige | 05 - light beige | 07 - light gray | 08 - dark brown | 09 - light brown | 13 - green | 15 - cream white | 16 - ivory | 19 - maroon | 20 - black | 22 - mahogany | 23 - anthracite | 26 - steel olive | 27 - basalt gray | 30 - nut | 34 - bog oak | 48 - golden oak | 54 - winchester | |
|------------------|-------------|------------|-----------|-----------------|------------------|-----------------|-----------------|------------------|------------|------------------|------------|-------------|------------|---------------|-----------------|------------------|------------------|----------|--------------|-----------------|-----------------|--|
| ZSKW-XX | X | X | X | X | X | X | X | X | X | X | X | X | X | X | X | X | X | | | | | |

+ all veneer colors

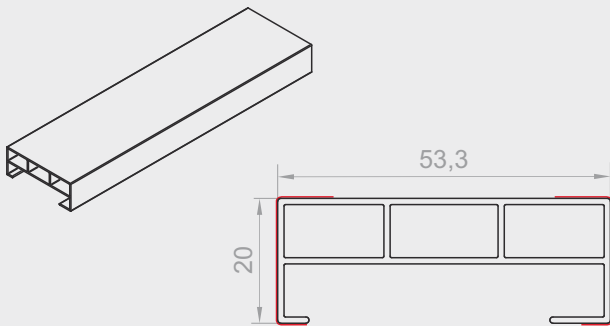


ZSKM XX

End cap for aluminium guide mosquito net channel.

| Index/color (XX) | 01 - silver | 02 - white | 03 - gray | 04 - dark beige | 05 - light beige | 07 - light gray | 08 - dark brown | 09 - light brown | 13 - green | 15 - cream white | 16 - ivory | 19 - maroon | 20 - black | 22 - mahogany | 23 - anthracite | 26 - steel olive | 27 - basalt gray | 30 - nut | 34 - bog oak | 48 - golden oak | 54 - winchester | |
|------------------|-------------|------------|-----------|-----------------|------------------|-----------------|-----------------|------------------|------------|------------------|------------|-------------|------------|---------------|-----------------|------------------|------------------|----------|--------------|-----------------|-----------------|--|
| ZSKM-XX | X | X | X | X | X | X | X | X | X | X | X | X | X | X | X | X | X | | | | | |

+ all veneer colors

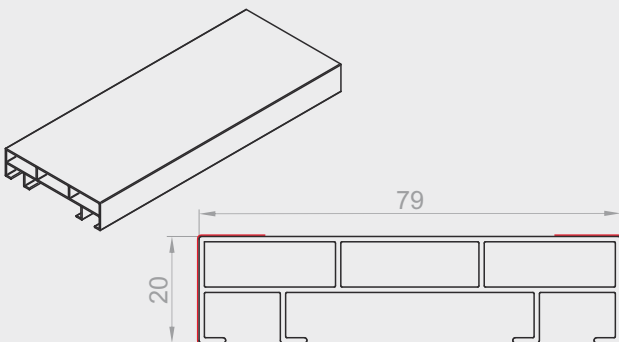


D-PP-53

Spacer strip for a single guide.

| Index/color (XX) | 01 - silver | 02 - white | 03 - gray | 04 - dark beige | 05 - light beige | 07 - light gray | 08 - dark brown | 09 - light brown | 13 - green | 15 - cream white | 16 - ivory | 19 - maroon | 20 - black | 22 - mahogany | 23 - anthracite | 26 - steel olive | 27 - basalt gray | 30 - nut | 34 - bog oak | 48 - golden oak | 54 - winchester | |
|------------------|-------------|------------|-----------|-----------------|------------------|-----------------|-----------------|------------------|------------|------------------|------------|-------------|------------|---------------|-----------------|------------------|------------------|----------|--------------|-----------------|-----------------|--|
| D-PP-53-XX | X | X | X | X | X | X | X | X | X | X | X | X | X | X | X | X | X | | | | | |

+ all veneer colors



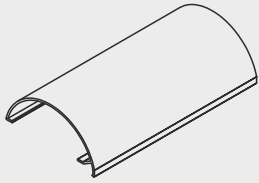
D-PPD-79

Spacer strip for a double guide.

| Index/color (XX) | 01 - silver | 02 - white | 03 - gray | 04 - dark beige | 05 - light beige | 07 - light gray | 08 - dark brown | 09 - light brown | 13 - green | 15 - cream white | 16 - ivory | 19 - maroon | 20 - black | 22 - mahogany | 23 - anthracite | 26 - steel olive | 27 - basalt gray | 30 - nut | 34 - bog oak | 48 - golden oak | 54 - winchester | |
|------------------|-------------|------------|-----------|-----------------|------------------|-----------------|-----------------|------------------|------------|------------------|------------|-------------|------------|---------------|-----------------|------------------|------------------|----------|--------------|-----------------|-----------------|--|
| D-PPD-79-XX | X | X | X | X | X | X | X | X | X | X | X | X | X | X | X | X | X | | | | | |

+ all veneer colors

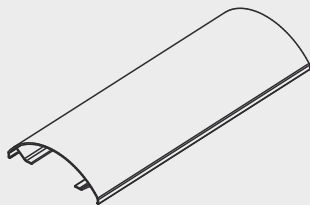




N/PPDO XX

53 mm guide cap for OS2000® systems. Applied with PP-53 guides and PZO plate.

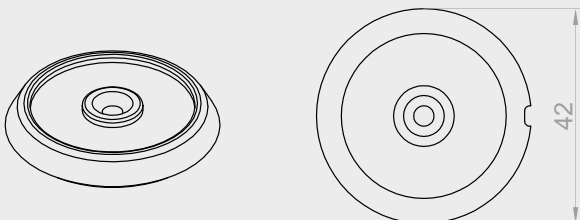
| Index/color (XX) | 01 - silver | 02 - white | 03 - gray | 04 - dark beige | 05 - light beige | 07 - light gray | 08 - dark brown | 09 - light brown | 13 - green | 15 - cream white | 16 - ivory | 19 - maroon | 20 - black | 22 - mahogany | 23 - anthracite | 26 - steel olive | 27 - basalt gray | 30 - nut | 34 - bog oak | 48 - golden oak | 54 - winchester | |
|------------------|-------------|------------|-----------|-----------------|------------------|-----------------|-----------------|------------------|------------|------------------|------------|-------------|------------|---------------|-----------------|------------------|------------------|----------|--------------|-----------------|-----------------|---|
| N/PPDO XX | X | X | X | X | X | X | X | X | X | X | X | X | X | X | X | X | X | X | X | X | X | X |



N/PPDO 79-XX

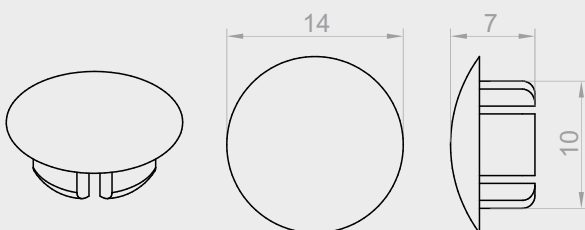
79 mm guide cap for OS2000® systems. Applied with PPD-79 guides and PZO plate.

| Index/color (XX) | 01 - silver | 02 - white | 03 - gray | 04 - dark beige | 05 - light beige | 07 - light gray | 08 - dark brown | 09 - light brown | 13 - green | 15 - cream white | 16 - ivory | 19 - maroon | 20 - black | 22 - mahogany | 23 - anthracite | 26 - steel olive | 27 - basalt gray | 30 - nut | 34 - bog oak | 48 - golden oak | 54 - winchester | |
|------------------|-------------|------------|-----------|-----------------|------------------|-----------------|-----------------|------------------|------------|------------------|------------|-------------|------------|---------------|-----------------|------------------|------------------|----------|--------------|-----------------|-----------------|---|
| N/PPDO 79-XX | X | X | X | X | X | X | X | X | X | X | X | X | X | X | X | X | X | X | X | X | X | X |



PZO 42

Latch plate for semi-circular cap and spacer strip. Applied every 40 cm with aluminium guide cap N/PPDO , D-PP, D-PPD.

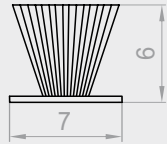
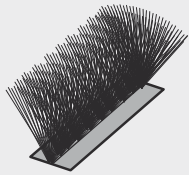


Z-PP/PK-XX

PVC plug for aluminium guide.

Available in colors (XX):

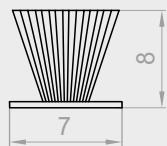
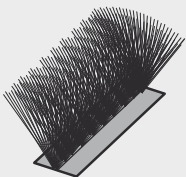
02 - white, 03 - gray, 04 - dark beige, 05 - light beige, 08 - dark brown, 09 - light brown, 13 - green, 19 - maroon, 20 - black, 23 - anthracite, 26 - steel olive, 27 - basalt gray, 48 - golden oak.



SP-7x6 4P SP

Brush seal for guides.

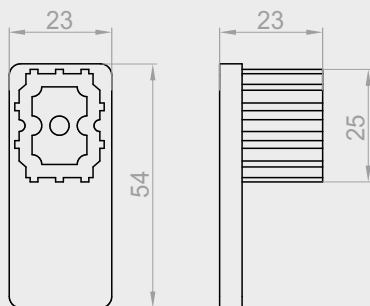
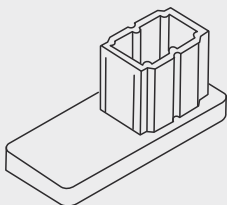
Applied with PP-53, PK-53, PPD-79, PP-66, PPDM-53 guides.



SP-7x8-3P1M-VR

Brush seal for guides with mosquito net.

Applied with PPDM-53, PPDM-80, PPMP-79 guide.

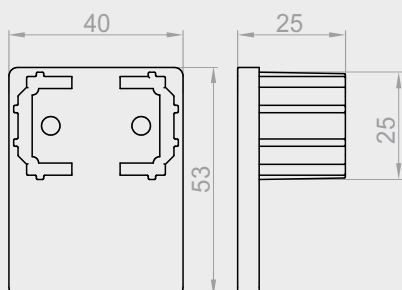
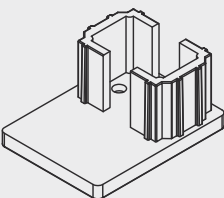


P-53-XX

Guide plug. Applied with PP and PK guides.

Available in colors (XX):

02 - white, 03 - gray, 04 - dark beige, 05 - light beige, 08 - dark brown, 09 - light brown, 13 - green, 19 - maroon, 20 - black, 23 - anthracite, 26 - steel olive, 27 - basalt gray, 48 - golden oak.



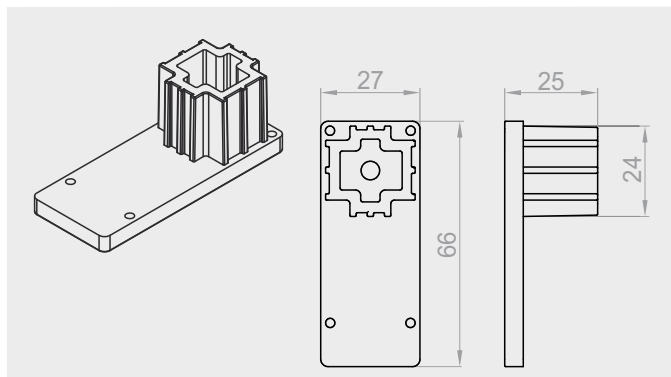
P-53M-XX

Guide plug with mosquito net. Applied with PPDM-53 guide.

Available in colors (XX):

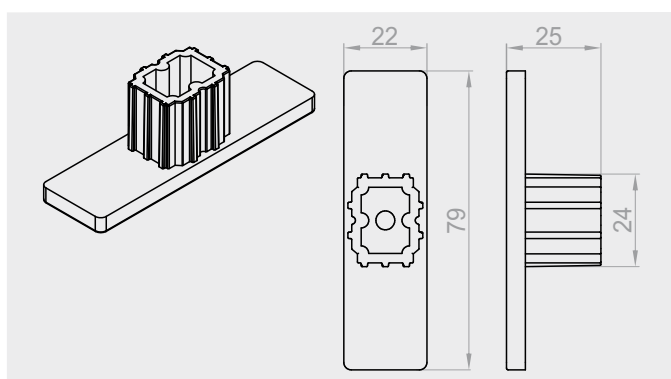
02 - white, 03 - gray, 04 - dark beige, 05 - light beige, 08 - dark brown, 09 - light brown, 16 - ivory, 19 - maroon, 20 - black, 23 - anthracite, 26 - steel olive, 48 - golden oak.





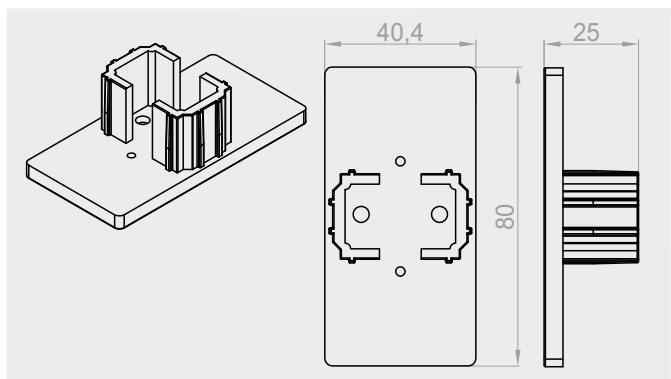
P-66 XX

Guide plug. Applied with PP-66 guide. (for PA 52 profile).
Available in colors (XX):
02 - white, 03 - gray, 04 - dark beige, 05 - light beige,
08 - dark brown, 09 - light brown, 16 - ivory, 19 - maroon,
20 - black, 23 - anthracite, 26 - steel olive,
48 - golden oak.



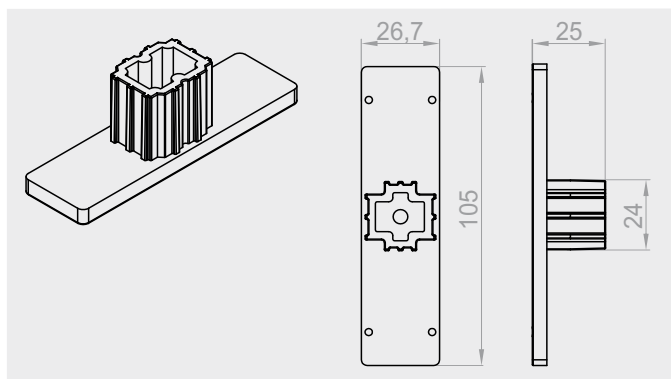
P-79-XX

Double guide plug. Applied with PPD-79 guide.
Available in colors (XX):
02 - white, 03 - gray, 04 - dark beige, 05 - light beige,
08 - dark brown, 09 - light brown, 16 - ivory,
19 - maroon, 20 - black, 23 - anthracite,
26 - steel olive, 48 - golden oak.



P-80 M XX

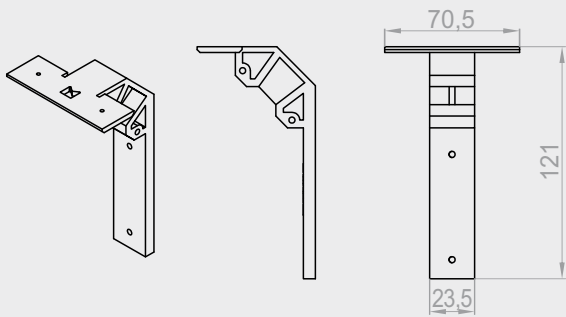
Double guide plug. Applied with PPMP-79 guide.
Available in colors (XX):
02 - white, 03 - gray, 04 - dark beige, 05 - light beige,
08 - dark brown, 09 - light brown, 16 - ivory,
19 - maroon, 20 - black, 23 - anthracite,
26 - steel olive, 48 - golden oak.



P-105 XX

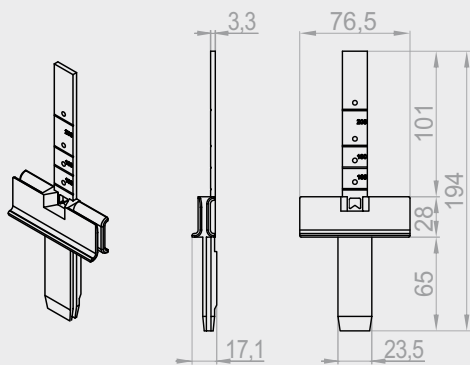
Double guide plug. Applied with PPDW-105 guide
(for PA 52 profile).
Available in colors (XX):
02 - white, 03 - gray, 04 - dark beige, 05 - light beige,
08 - dark brown, 09 - light brown, 16 - ivory,
19 - maroon, 20 - black, 23 - anthracite,
26 - steel olive, 48 - golden oak.





PMA-G

Adaption division of the mosquito net - top.

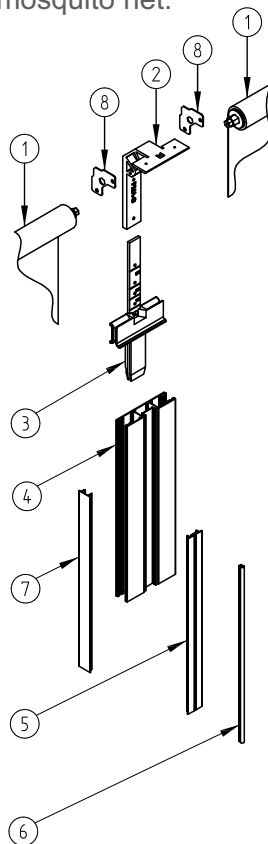


PMA-D

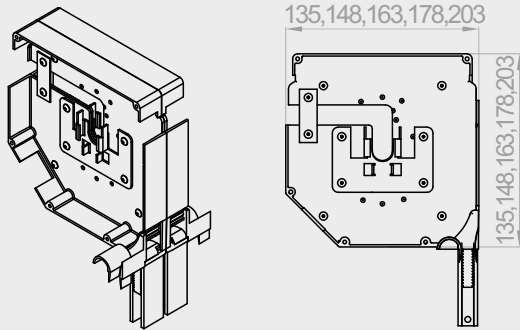
Adaption division of the mosquito net - bottom.



Adaption division of the mosquito net:

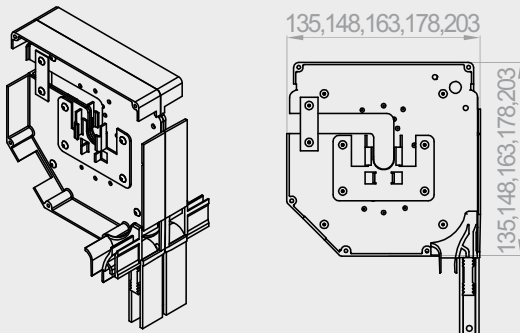
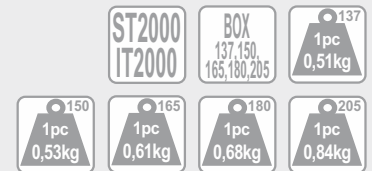
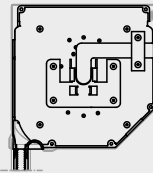


- | | | |
|----|--------------|--|
| 1 | MOS FI23 1,7 | Mosquito net on the pipe \varnothing 23 1,7 |
| | MOS FI23 2,6 | Mosquito net on the pipe \varnothing 23 2,6 |
| 2. | PMA-G | Adaption division of the mosquito net - top |
| 3. | PMA-D | Adaption division of the mosquito net - bottom |
| 4. | PPMP-79 | Double division guide for mosquito net |
| 5. | ZSKW | Guide end cap with a channel for a gasket |
| 6. | KA-44 B | Rubber gasket for LD-35 mini |
| 7. | ZSKM | End cap for the mosquito net channel |
| 8. | M-RZ-060 | Metal division handle for the mosquito net |



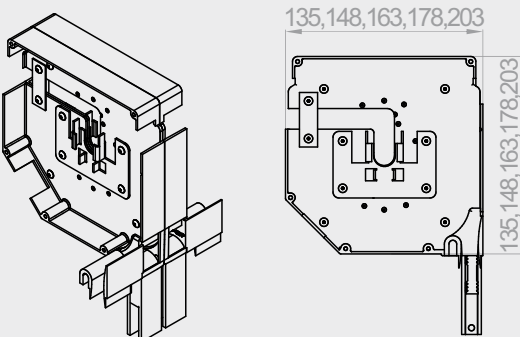
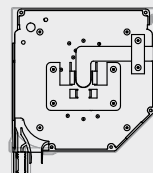
BPS 110 VVV-XX

Division of ST2000, IT2000 boxes for two single guides, dependent drive.
VVV - box size, XX - color.



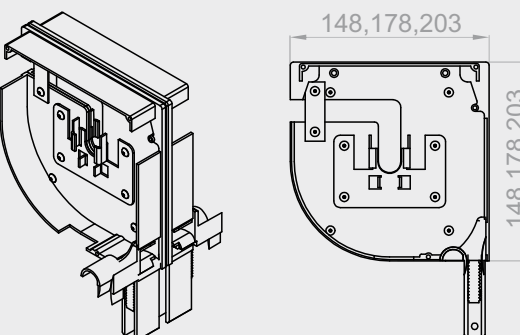
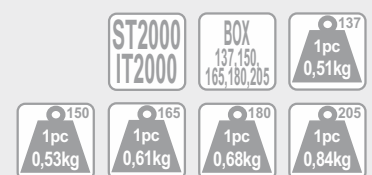
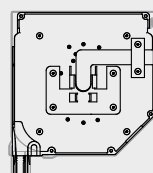
BPS 210 VVV-XX

Division of ST2000 box with mosquito net, IT2000 with mosquito net for two single guides, dependent drive.
VVV - box size, XX - color.



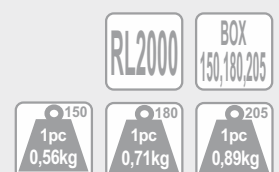
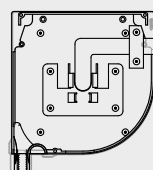
BPS 310 VVV-XX

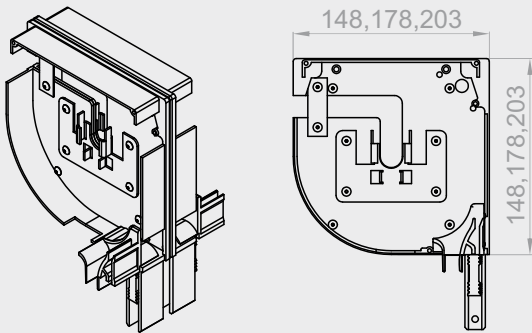
Division of ST2000, IT2000 boxes with PA-52 profile for two single guides, dependent drive.
VVV - box size, XX - color.



BPR 110 VVV-XX

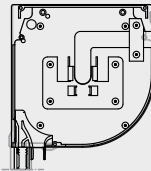
Division of RL2000 box for two single guides, dependent drive.
VVV - box size, XX - color.





BPR 210 VVV-XX

Division of RL2000 box with mosquito net for two single guides, dependent drive.
VVV - box size, XX - color.

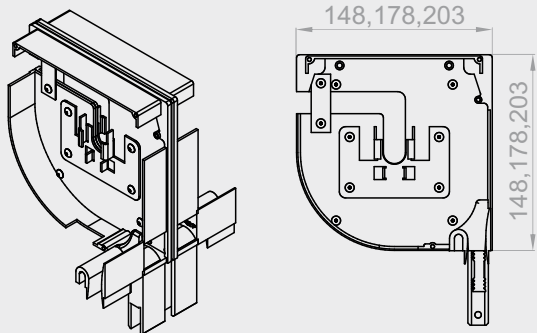


RL2000 BOX
150, 180, 205

150
1pc
0,56kg

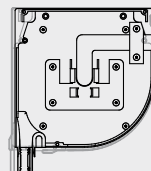
180
1pc
0,71kg

205
1pc
0,89kg



BPR 310 VVV-XX

Division of RL2000 box with PA-52 profile for two single guides, dependent drive.
VVV - box size, XX - color.

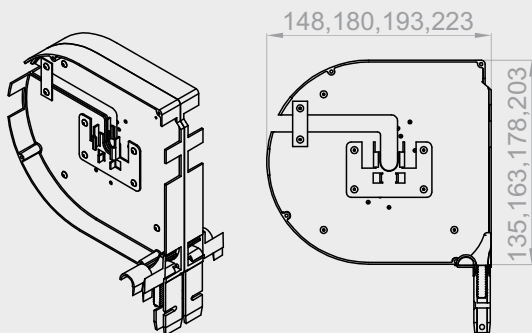


RL2000 BOX
150, 180, 205

150
1pc
0,56kg

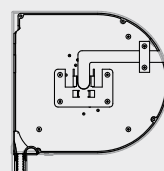
180
1pc
0,71kg

205
1pc
0,89kg



BPO 110 VVV-XX

Division of OS2000 boxes for two single guides, dependent drive.
VVV - box size, XX - color.



OS2000

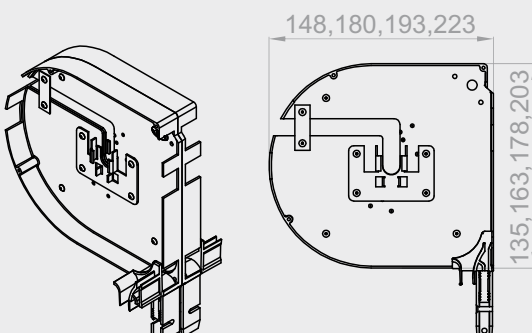
BOX
137, 165, 180, 205

137
1pc
0,37kg

165
1pc
0,52kg

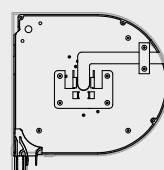
180
1pc
0,64kg

205
1pc
0,81kg



BPO 210 VVV-XX

Division of OS2000 box with mosquito net for two single guides, dependent drive.
VVV - box size, XX - color.

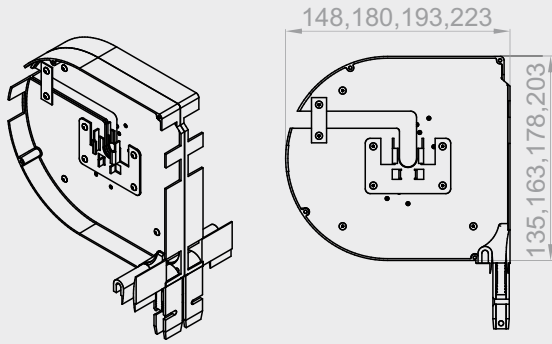


OS2000 BOX
165, 180, 205

165
1pc
0,52kg

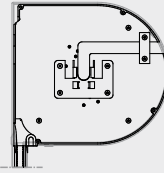
180
1pc
0,64kg

205
1pc
0,81kg

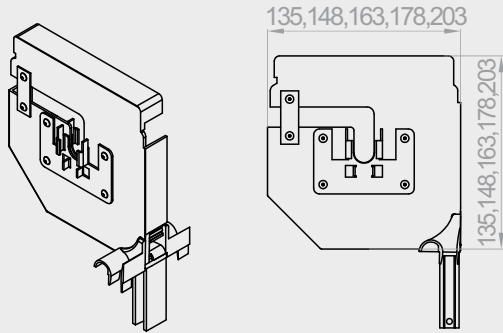


BPO 310 VVV-XX

Division of OS2000 boxes with PA-52 profile for two single guides, dependent drive.
VVV - box size, XX - color.

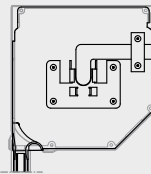


| | | |
|----------------------|---------------------------|----------------------|
| OS2000 | BOX 137,165 180,205 | 137 1pc 0,37kg |
| 165 1pc 0,52kg | 180 1pc 0,64kg | 205 1pc 0,81kg |

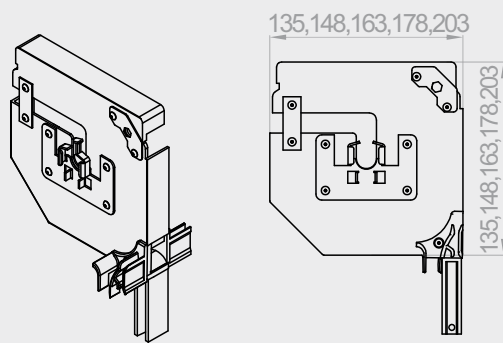


BPS 130 VVV-XX

Division of ST2000, IT2000 boxes for double guide, dependent drive.
VVV - box size, XX - color.

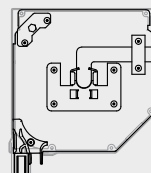


| | | |
|----------------------|-------------------------------|----------------------|
| ST2000 IT2000 | BOX 137,150 165,180,205 | 137 1pc 0,51kg |
| 150 1pc 0,53kg | 165 1pc 0,61kg | 180 1pc 0,68kg |
| | | 205 1pc 0,84kg |

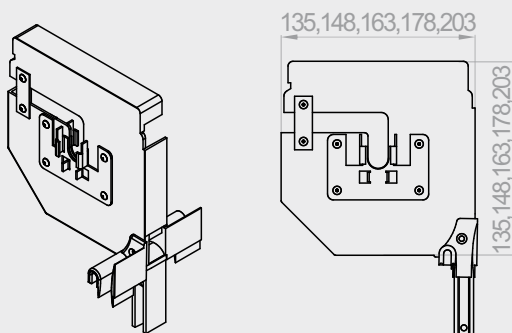


BPS 230 VVV-XX

Division of ST2000 box with mosquito net, IT2000 with mosquito net for double guide, dependent drive.
VVV - box size, XX - color.

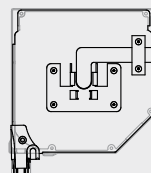


| | | |
|----------------------|---------------------------|----------------------|
| ST2000 IT2000 | BOX 150,165 180,205 | 150 1pc 0,53kg |
| 165 1pc 0,61kg | 180 1pc 0,68kg | 205 1pc 0,84kg |

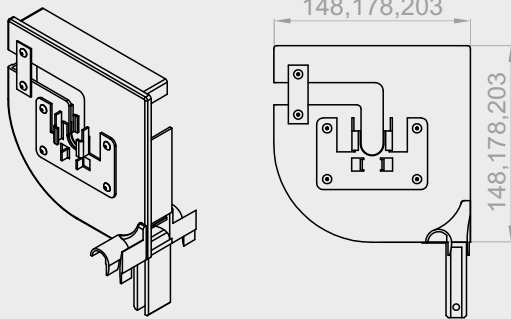


BPS 330 VVV-XX

Division of ST2000, IT2000 boxes with PA-52 profile for double guide, dependent drive.
VVV - box size, XX - color.

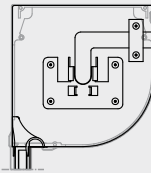


| | | |
|----------------------|-------------------------------|----------------------|
| ST2000 IT2000 | BOX 137,150 165,180,205 | 137 1pc 0,51kg |
| 150 1pc 0,53kg | 165 1pc 0,61kg | 180 1pc 0,68kg |
| | | 205 1pc 0,84kg |

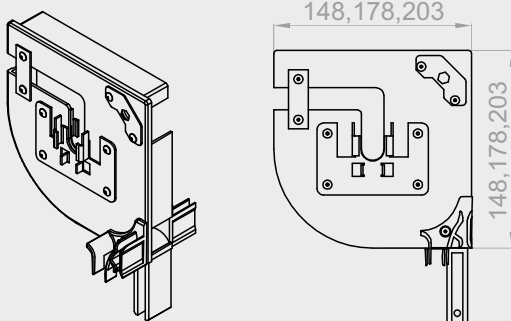


BPR 130 VVV-XX

Division of RL2000 box for double guide, dependent drive.
VVV - box size, XX - color.

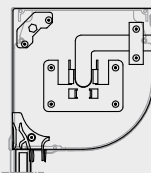


| | | |
|----------------------|----------------------|----------------------|
| RL2000 | BOX 150,180,205 | |
| 150 1pc 0,32kg | 180 1pc 0,40kg | 205 1pc 0,49kg |

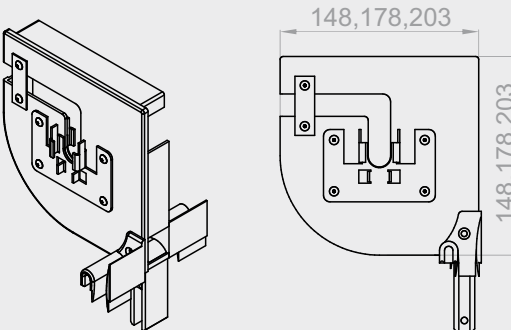


BPR 230 VVV-XX

Division of RL2000 box with mosquito net for double guide, dependent drive.
VVV - box size, XX - color.

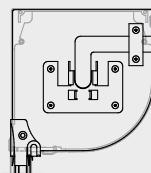


| | | |
|----------------------|----------------------|----------------------|
| RL2000 | BOX 150,180,205 | |
| 150 1pc 0,32kg | 180 1pc 0,40kg | 205 1pc 0,49kg |

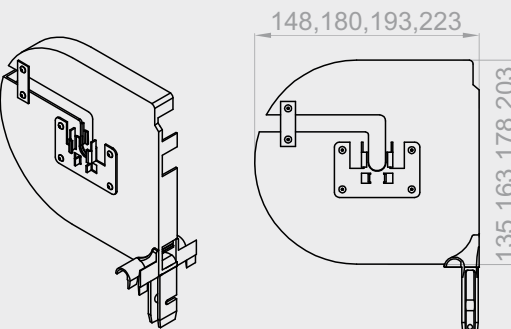


BPR 330 VVV-XX

Division of RL2000 box with PA-52 profile for double guide, dependent drive.
VVV - box size, XX - color.

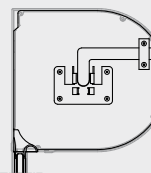


| | | |
|----------------------|----------------------|----------------------|
| RL2000 | BOX 150,180,205 | |
| 150 1pc 0,32kg | 180 1pc 0,40kg | 205 1pc 0,49kg |

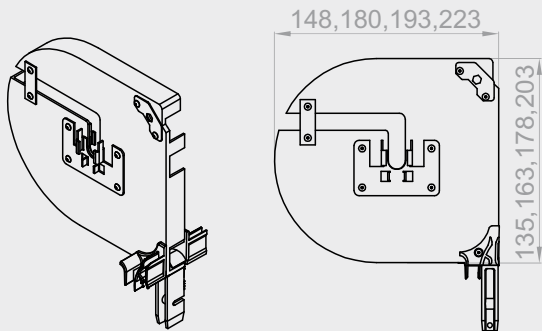


BPO 130 VVV-XX

Division of OS2000 boxes for double guide, dependent drive.
VVV - box size, XX - color.

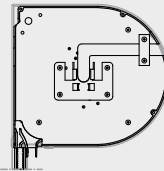


| | | |
|----------------------|---------------------------|----------------------|
| OS2000 | BOX 137,165 180,205 | 137 1pc 0,32kg |
| 165 1pc 0,39kg | 180 1pc 0,45kg | 205 1pc 0,54kg |

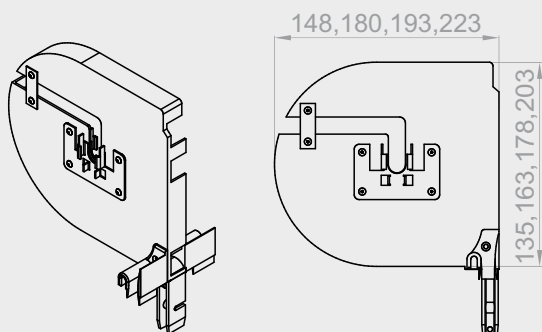


BPO 230 VVV-XX

Division of OS2000 box with mosquito net for double guide, dependent drive.
VVV - box size, XX - color.

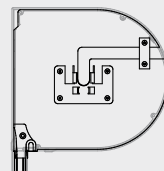


| | | | | |
|---------------|------------------------------|----------------------|----------------------|----------------------|
| OS2000 | BOX 165 180,205 | 1pc 0,39kg | 1pc 0,45kg | 1pc 0,54kg |
|---------------|------------------------------|----------------------|----------------------|----------------------|

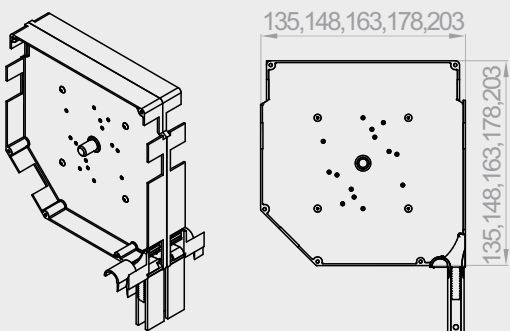


BPO 330 VVV-XX

Division of OS2000 with PA-52 profile for double guide, dependent drive.
VVV - box size, XX - color.

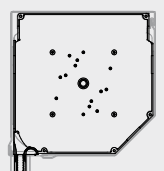


| | | | | | |
|---------------|----------------------------------|----------------------|----------------------|----------------------|----------------------|
| OS2000 | BOX 137,165 180,205 | 1pc 0,32kg | 1pc 0,39kg | 1pc 0,45kg | 1pc 0,54kg |
|---------------|----------------------------------|----------------------|----------------------|----------------------|----------------------|

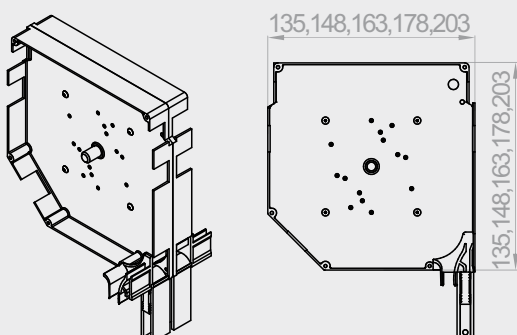


BPS 100 VVV-XX

Division of ST2000, IT2000 boxes for two single guides, independent drive.
VVV - box size, XX - color.

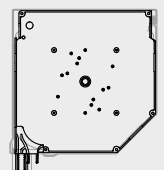


| | | | | | | |
|--------------------------------|---------------------------------------|----------------------|----------------------|----------------------|----------------------|----------------------|
| ST2000 IT2000 | BOX 137,150, 165,180,205 | 1pc 0,42kg | 1pc 0,47kg | 1pc 0,54kg | 1pc 0,62kg | 1pc 0,78kg |
|--------------------------------|---------------------------------------|----------------------|----------------------|----------------------|----------------------|----------------------|

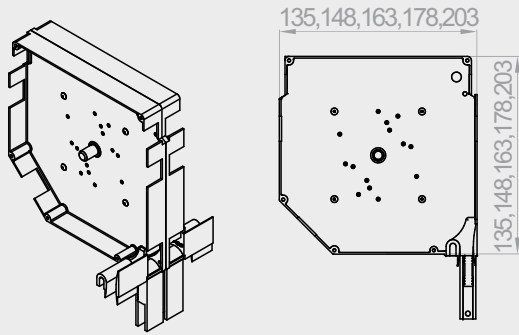


BPS 200 VVV-XX

Division of ST2000 box with mosquito net, IT2000 with mosquito net for two single guides, independent drive.
VVV - box size, XX - color.

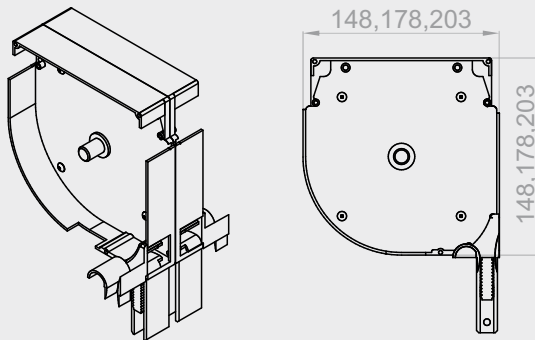
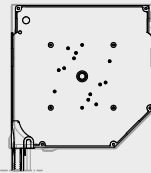


| | | | | | |
|--------------------------------|-----------------------------------|----------------------|----------------------|----------------------|----------------------|
| ST2000 IT2000 | BOX 150,165, 180,205 | 1pc 0,47kg | 1pc 0,54kg | 1pc 0,62kg | 1pc 0,78kg |
|--------------------------------|-----------------------------------|----------------------|----------------------|----------------------|----------------------|



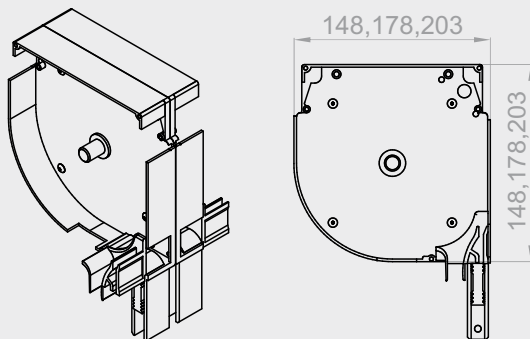
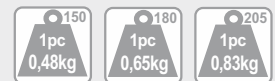
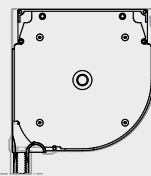
BPS 300 VVV-XX

Division of ST2000, IT2000 boxes with PA-52 profile for two single guides, independent drive.
VVV - box size, XX - color.



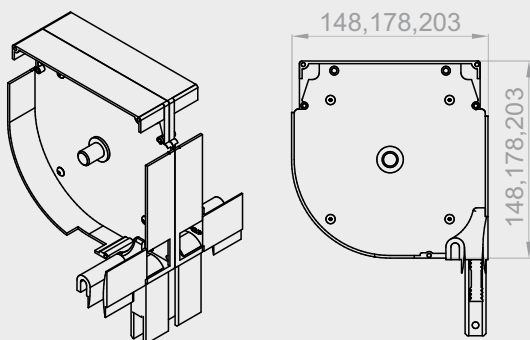
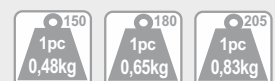
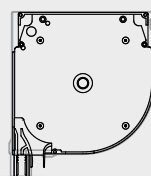
BPR 100 VVV-XX

Division of RL2000 box for two single guides, independent drive.
VVV - box size, XX - color.



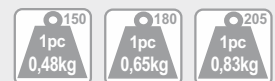
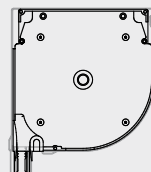
BPR 200 VVV-XX

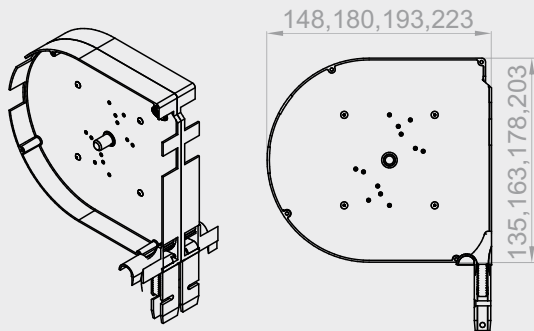
Division of RL2000 box with mosquito net for two single guides, independent drive.
VVV - box size, XX - color.



BPR 300 VVV-XX

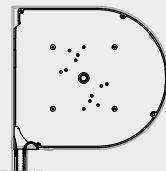
Division of RL2000 box with PA-52 profile for two single guides, independent drive.
VVV - box size, XX - color.



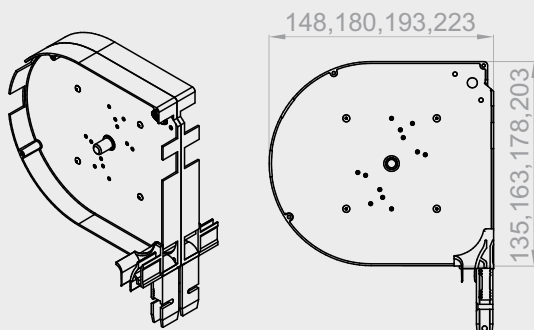


BPO 100 VVV-XX

Division of OS2000 boxes for two single guides, independent drive.
VVV - box size, XX - color.

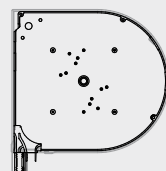


| | | |
|----------------------|---------------------------|----------------------|
| OS2000 | BOX 137,165 180,205 | 137 1pc 0,37kg |
| 165 1pc 0,54kg | 180 1pc 0,67kg | 205 1pc 0,84kg |

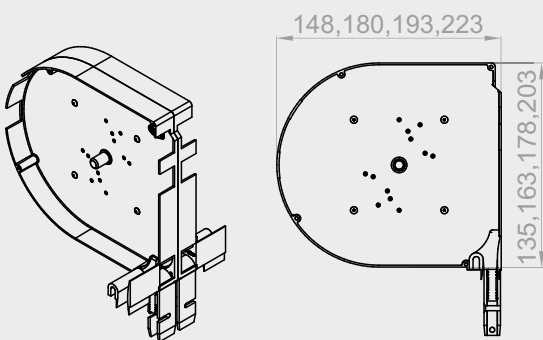


BPO 200 VVV-XX

Division of OS2000 box with mosquito net for two single guides, independent drive.
VVV - box size, XX - color.

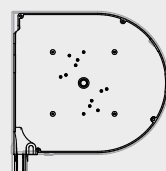


| | | |
|----------------------|-----------------------|----------------------|
| OS2000 | BOX 165 180,205 | 137 1pc 0,37kg |
| 165 1pc 0,54kg | 180 1pc 0,67kg | 205 1pc 0,84kg |

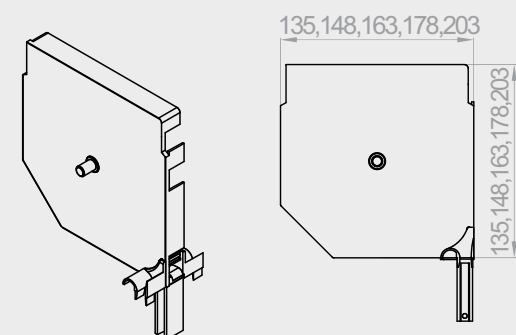


BPO 300 VVV-XX

Division of OS2000 boxes with PA-52 profile for two single guides, independent drive.
VVV - box size, XX - color.

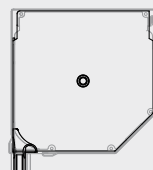


| | | |
|----------------------|---------------------------|----------------------|
| OS2000 | BOX 137,165 180,205 | 137 1pc 0,37kg |
| 165 1pc 0,54kg | 180 1pc 0,67kg | 205 1pc 0,84kg |

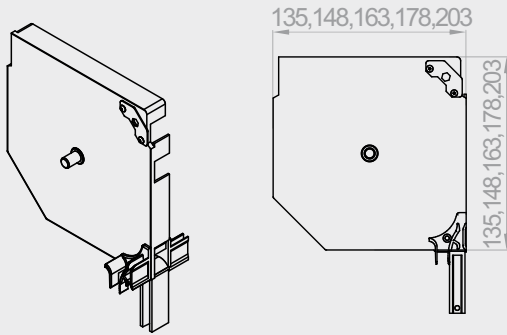


BPS 120 VVV-XX

Division of ST2000, IT2000 boxes for double guide, independent drive.
VVV - box size, XX - color.

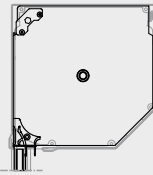


| | | |
|----------------------|-------------------------------|----------------------|
| ST2000 IT2000 | BOX 137,150 165,180,205 | 137 1pc 0,34kg |
| 150 1pc 0,35kg | 165 1pc 0,4kg | 180 1pc 0,44kg |
| | | 205 1pc 0,52kg |

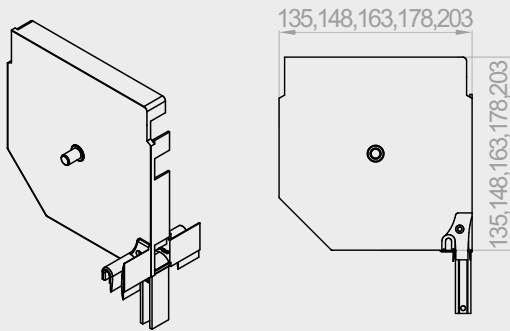


BPS 220 VVV-XX

Division of ST2000 box with mosquito net, IT2000 with mosquito net for double guide, independent.
VVV - box size, XX - color.

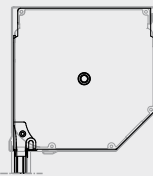


| | | |
|----------------------|----------------------------|----------------------|
| ST2000 IT2000 | BOX 150,165, 180,205 | 150 1pc 0,37kg |
| 165 1pc 0,42kg | 180 1pc 0,46kg | 205 1pc 0,55kg |

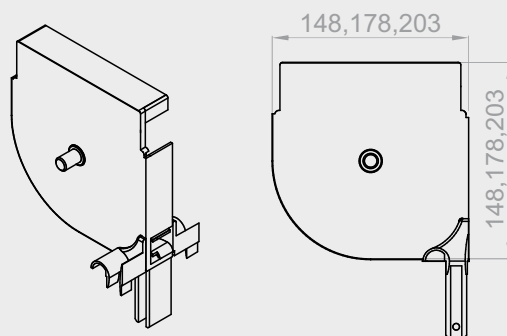


BPS 320 VVV-XX

Division of ST2000, IT2000 boxes with PA-52 profile for double guide, independent drive.
VVV - box size, XX - color.

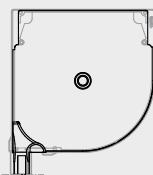


| | | |
|----------------------|--------------------------------|----------------------|
| ST2000 IT2000 | BOX 137,150, 165,180,205 | 137 1pc 0,34kg |
| 150 1pc 0,35kg | 165 1pc 0,4kg | 180 1pc 0,44kg |
| | | 205 1pc 0,52kg |

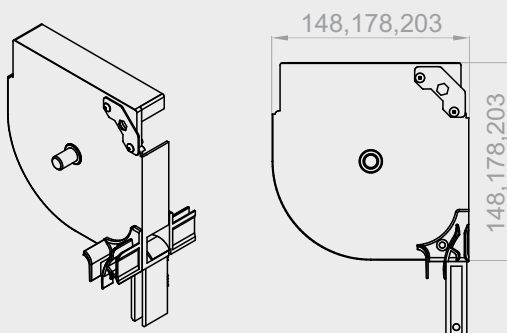


BPR 120 VVV-XX

Division of RL2000 box for double guide, independent drive.
VVV - box size, XX - color.

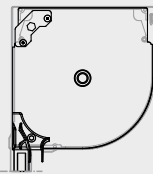


| | | |
|--------|--------------------|----------------------|
| RL2000 | BOX 150,180,205 | 150 1pc 0,35kg |
| | | 180 1pc 0,45kg |
| | | 205 1pc 0,55kg |

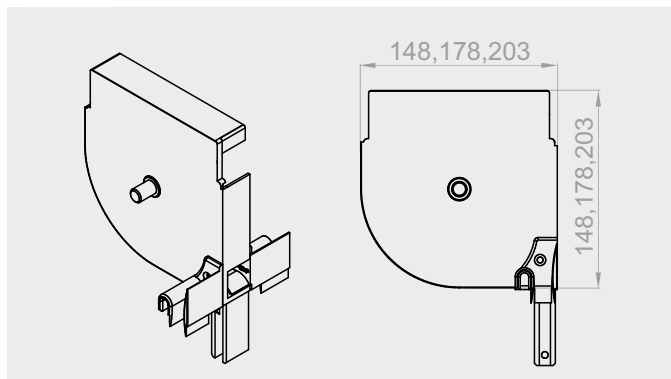


BPR 220 VVV-XX

Division of RL2000 box with mosquito net for double guide, independent drive.
VVV - box size, XX - color.

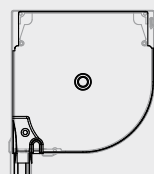


| | | |
|--------|--------------------|----------------------|
| RL2000 | BOX 150,180,205 | 150 1pc 0,36kg |
| | | 180 1pc 0,45kg |
| | | 205 1pc 0,55kg |

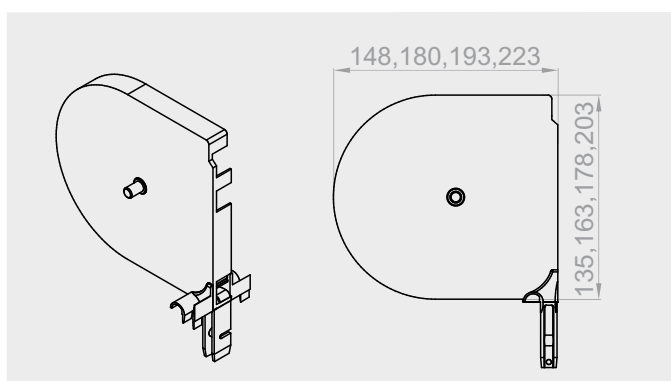


BPR 320 VVV-XX

Division of RL2000 box with PA-52 profile for double guide, independent drive.
VVV - box size, XX - color.

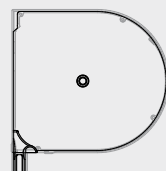


| | |
|----------------------|---------------------------|
| RL2000 | BOX 150,180,205 |
| 150 1pc 0,35kg | 180 1pc 0,45kg |
| | 205 1pc 0,55kg |

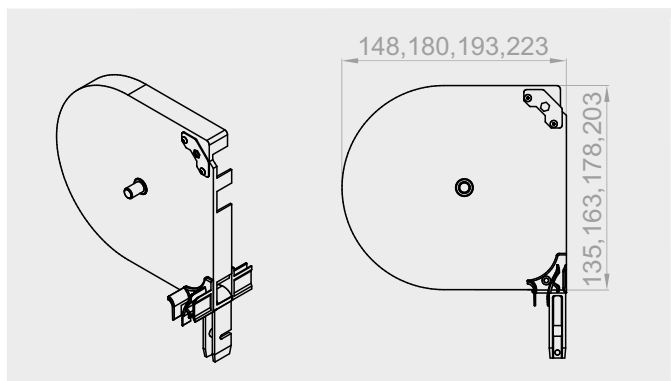


BPO 120 VVV-XX

Division of OS2000 boxes for double guide, independent drive.
VVV - box size, XX - color.

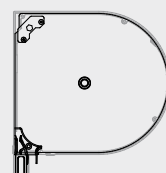


| | | |
|---------------------|----------------------------------|----------------------|
| OS2000 | BOX 137,165 180,205 | 137 1pc 0,32kg |
| 165 1pc 0,4kg | 180 1pc 0,46kg | 205 1pc 0,51kg |

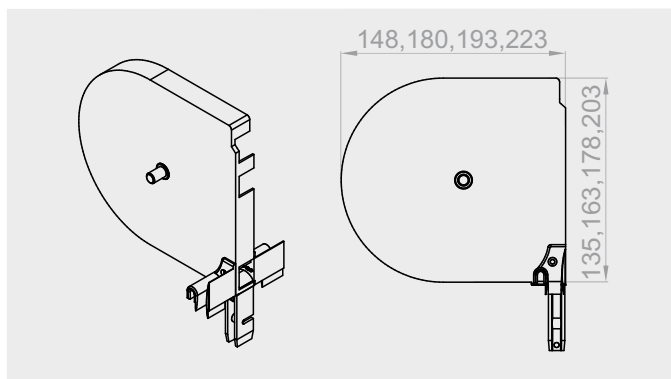


BPO 220 VVV-XX

Division of OS2000 box with mosquito net for double guide, independent.
VVV - box size, XX - color.

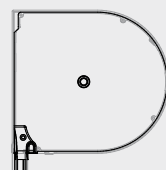


| | |
|---------------------|------------------------------|
| OS2000 | BOX 165 180,205 |
| 165 1pc 0,4kg | 180 1pc 0,46kg |
| | 205 1pc 0,51kg |



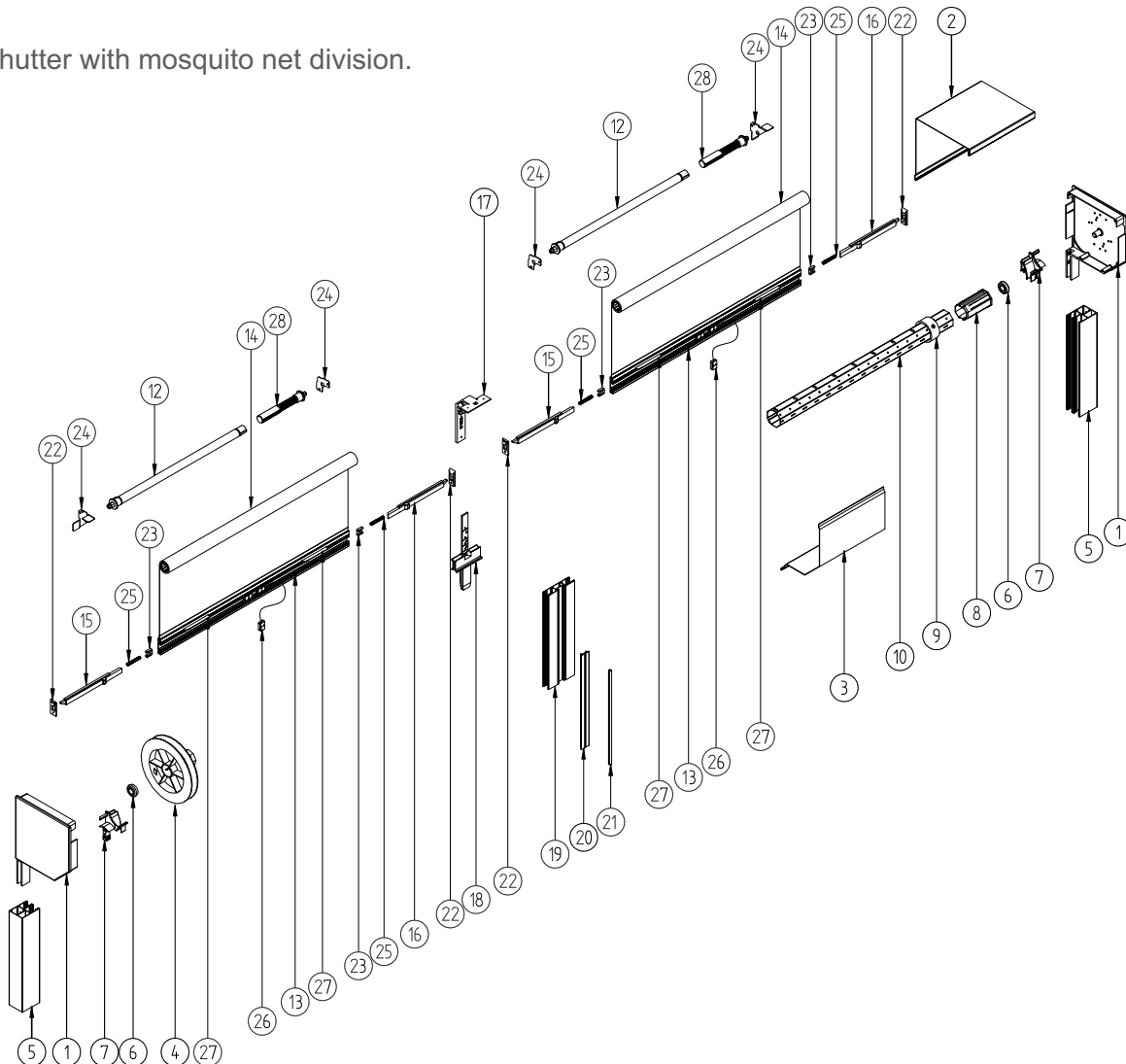
BPO 320 VVV-XX

Division of OS2000 boxes with PA-52 profile for double guide, independent drive.
VVV - box size, XX - color.



| | | |
|---------------------|----------------------------------|----------------------|
| OS2000 | BOX 137,165 180,205 | 137 1pc 0,32kg |
| 165 1pc 0,4kg | 180 1pc 0,46kg | 205 1pc 0,51kg |

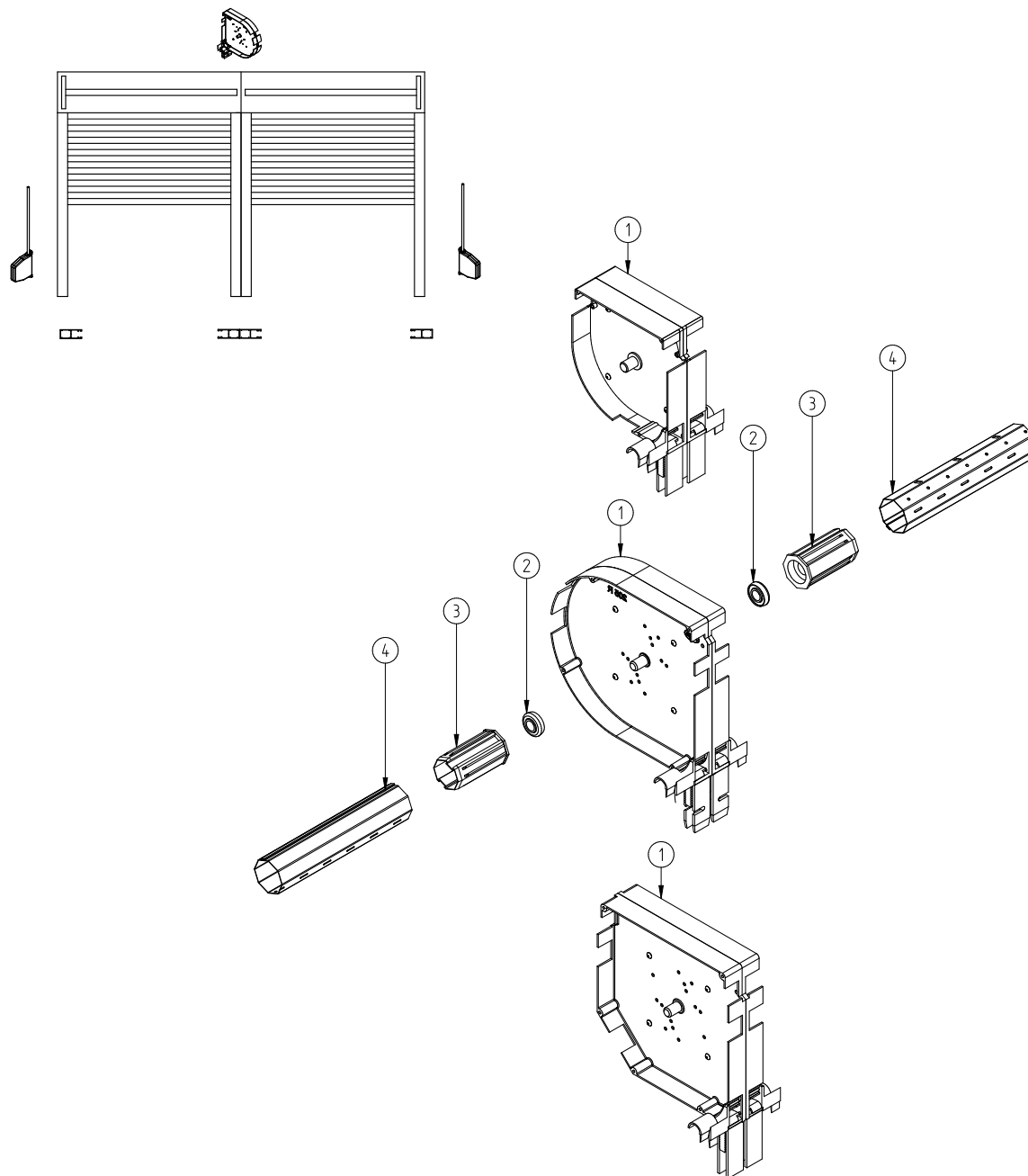
Roller shutter with mosquito net division.



| | | | | | |
|----|------------|--|-----|---------------|---|
| 1 | BS-150 L/R | Side of the box ST2000 150 | 10. | SW40 | Octagonal pipe ø 40 |
| | BS-165 L/R | Side of the box ST2000 165 | | SW60 | Octagonal pipe ø 60 |
| | BS-180 L/R | Side of the box ST2000 180 | 11. | M-RZ-040 | Handle for front mounted roller shutter mosquito net |
| | BS-205 L/R | Side of the box ST2000 205 | 12. | M-RZ-200 | Mosquito net spring |
| 2 | SK-150G | Box ST2000 150 top | | M-RZ-210 | Slowing system for mosquito net in the front mounted roller shutter |
| | SK-165G | Box ST2000 165 top | 13. | LDM-41x8 CH | Bottom lath for mosquito net |
| | SK-180G | Box ST2000 180 top | | MOS FI23 1,7 | Mosquito net on the pipe ø 23 1,7 |
| | SK-205G | Box ST2000 205 top | | MOS FI23 2,6 | Mosquito net on the pipe ø 23 2,6 |
| 3. | SK-150DM | Box ST2000 150 bottom for mosquito net | 15. | M-RW-170-02 L | Bottom lath latch for the mosquito net left |
| | SK-165DM | Box ST2000 165 bottom for mosquito net | 16. | M-RW-170-02 P | Bottom lath latch for the mosquito net rights |
| | SK-180DM | Box ST2000 180 bottom for mosquito net | 17. | PMA-G | Adaption division of the mosquito net - top |
| | SK-205DM | Box ST2000 205 bottom for mosquito net | 18. | PMA-D | Adaption division of the mosquito net - bottom |
| 4. | KNO-40-150 | Wheel of the roller for box 150 | 19. | PPMP-79 | Double division guide for mosquito net |
| | KNO-40-165 | Wheel of the roller for box 165 | 20. | ZSKW | Guide end cap with a channel for a gasket |
| | KNO-40-180 | Wheel of the roller for box 180, 205 | 21. | KA-44 B | Rubber gasket for LD-35 mini |
| 5. | PPDM-53 | ALU double guide for mosquito net | 22. | M-RW-180 | Latch clip |
| 6. | LO 28/12 | Bearing for ALU | 23. | M-RW-200 | Latch lock in the bottom lath of the mosquito net |
| 7. | SPPM L/P | Profile blade slider | 24. | M-RZ-060 | Handle for division in front mounted roller shutter mosquito net |
| 8. | OBS-40 | Mounting for ø 40 pipe | 25. | M-RN-070 | Spring for cassette's latch |
| | OBS-60 | Mounting for ø 60 pipe | 26. | MZW-050 | Cord handle in the bottom lath of the mosquito net |
| 9. | PZ40/50 | Expansion ring | 27. | M-RW-080 | Bottom lath handle of the mosquito net |
| | PZ60/70 | Expansion ring | 28. | ABS CZ | Slowing system for mosquito net |

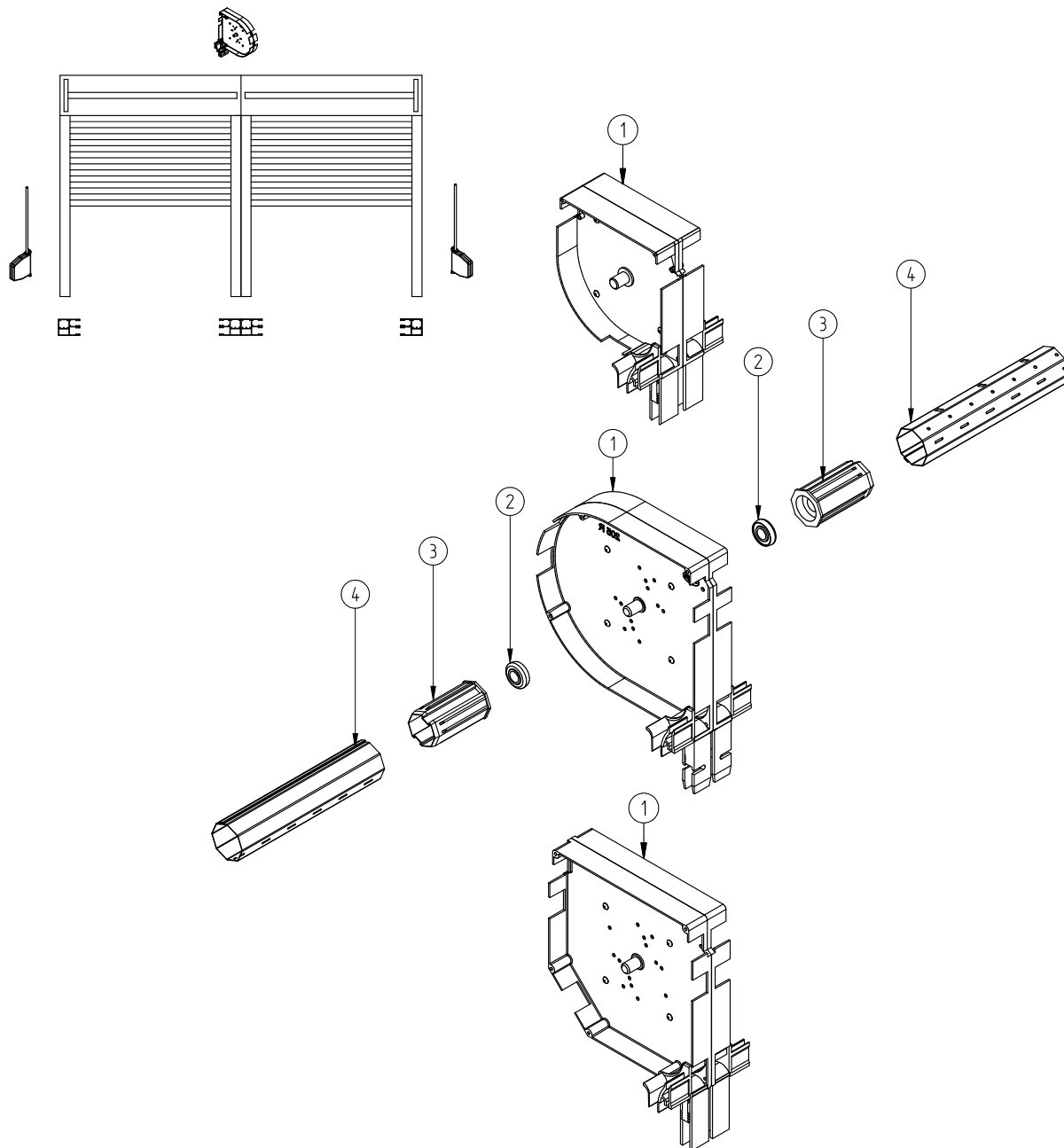
Components for front mounted roller shutter system Assembly drawings - divisions

Division for two single guides in a roller shutter with independent drive.



| | | |
|---|-----------|--|
| 1 | BPS 100 | Division of ST2000/IT2000 box |
| | BPR 100 | Division of RL2000 box |
| | BPO 100 | Division of OS2000 box |
| 2 | LO 28/12 | Bearing for front mounted roller shutter boxes |
| 3 | OBS-40/78 | Mounting 40/78 for aluminium |
| | OBS-60/78 | Mounting 60/78 for aluminium |
| 4 | SW 40 | Octagonal pipe $\varnothing 40$ |
| | SW 60 | Octagonal pipe $\varnothing 60$ |

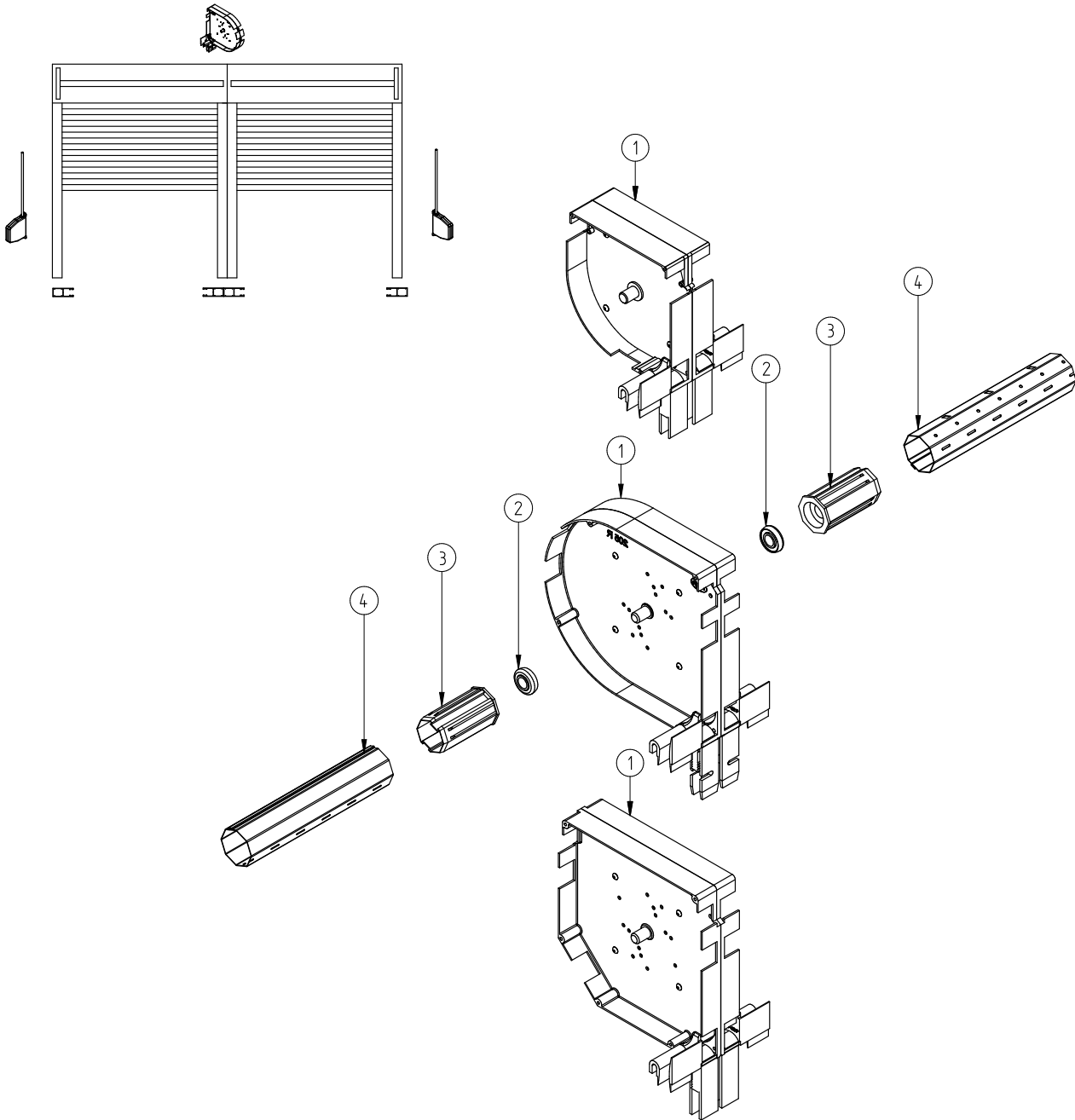
Division for two single guides in a roller shutter with mosquito net and independent drive.



| | | |
|---|-----------|---|
| 1 | BPS 200 | Division of ST2000/IT2000 box with mosquito net |
| | BPR 200 | Division of RL2000 box with mosquito net |
| | BPO 200 | Division of OS2000 box with mosquito net |
| 2 | LO 28/12 | Bearing for front mounted roller shutter boxes $\varnothing 60$ |
| 3 | OBS-40/78 | Mounting 40/78 for aluminium |
| | OBS-60/78 | Mounting 60/78 for aluminium |
| 4 | SW 40 | Octagonal pipe $\varnothing 40$ |
| | SW 60 | Octagonal pipe $\varnothing 60$ |

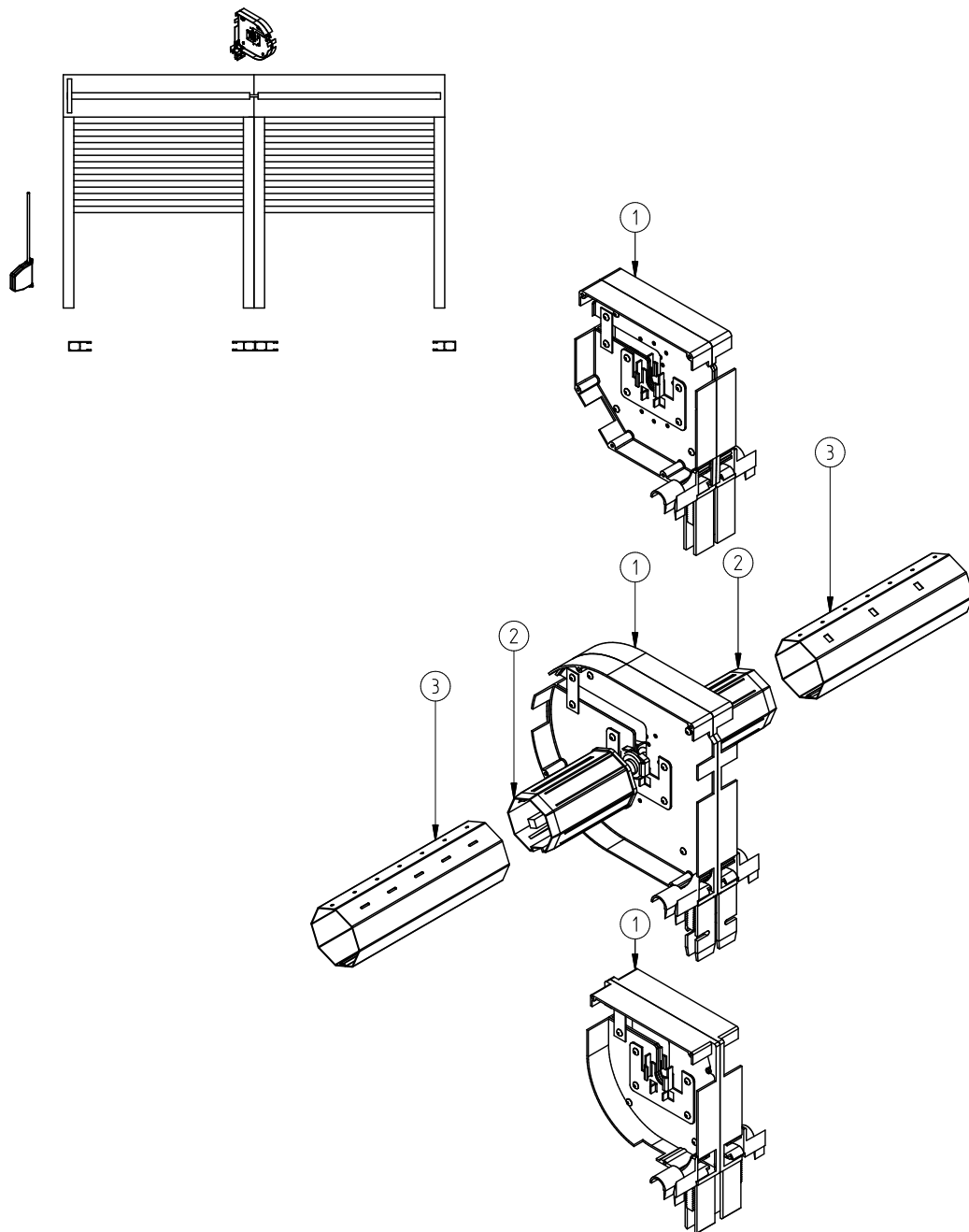
Components for front mounted roller shutter system Assembly drawings - divisions

Division for two single guides in a roller shutter with PA-52 curtain and independent drive.



| | | |
|---|-----------|---|
| 1 | BPS 300 | Division of ST2000/IT2000 box for PA-52 curtain |
| | BPR 300 | Division of RL2000 box for PA-52 curtain |
| | BPO 300 | Division of OS2000 box for PA-52 curtain |
| 2 | LO 28/12 | Bearing for front mounted roller shutter boxes $\varnothing 60$ |
| 3 | OBS-40/78 | Mounting 40/78 for aluminium |
| | OBS-60/78 | Mounting 60/78 for aluminium |
| 4 | SW 40 | Octagonal pipe $\varnothing 40$ |
| | SW 60 | Octagonal pipe $\varnothing 60$ |

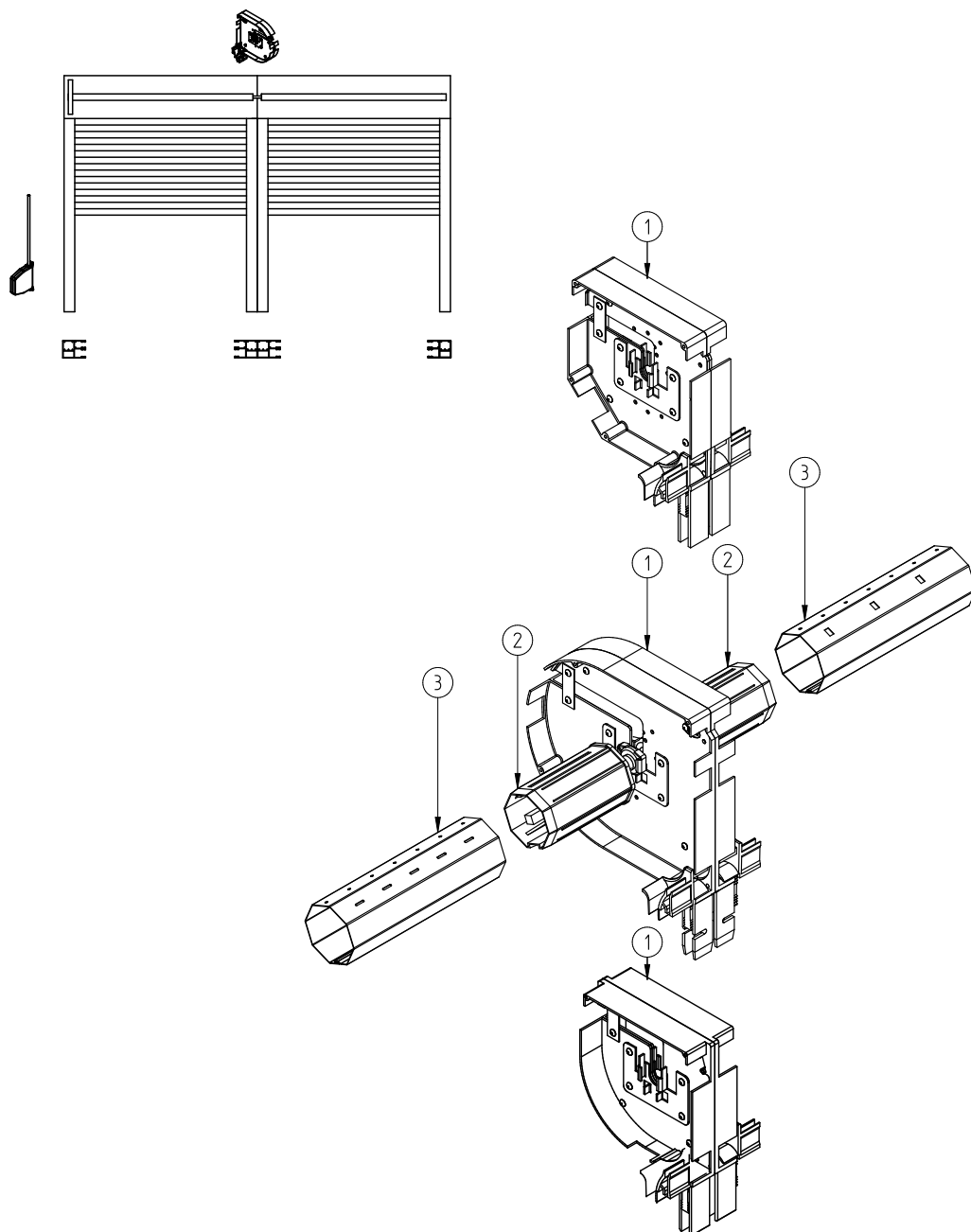
Division for two single guides in a roller shutter with dependent drive.



| | | |
|---|---------|--------------------------------------|
| 1 | BPS 110 | Division of ST2000/IT2000 box |
| | BPR 110 | Division of RL2000 box |
| | BPO 110 | Division of OS2000 box |
| 2 | RKZ 34 | Round bolt for $\varnothing 40$ pipe |
| | RKZ 35 | Round bolt for $\varnothing 60$ pipe |
| 3 | SW 40 | Octagonal pipe $\varnothing 40$ |
| | SW 60 | Octagonal pipe $\varnothing 60$ |

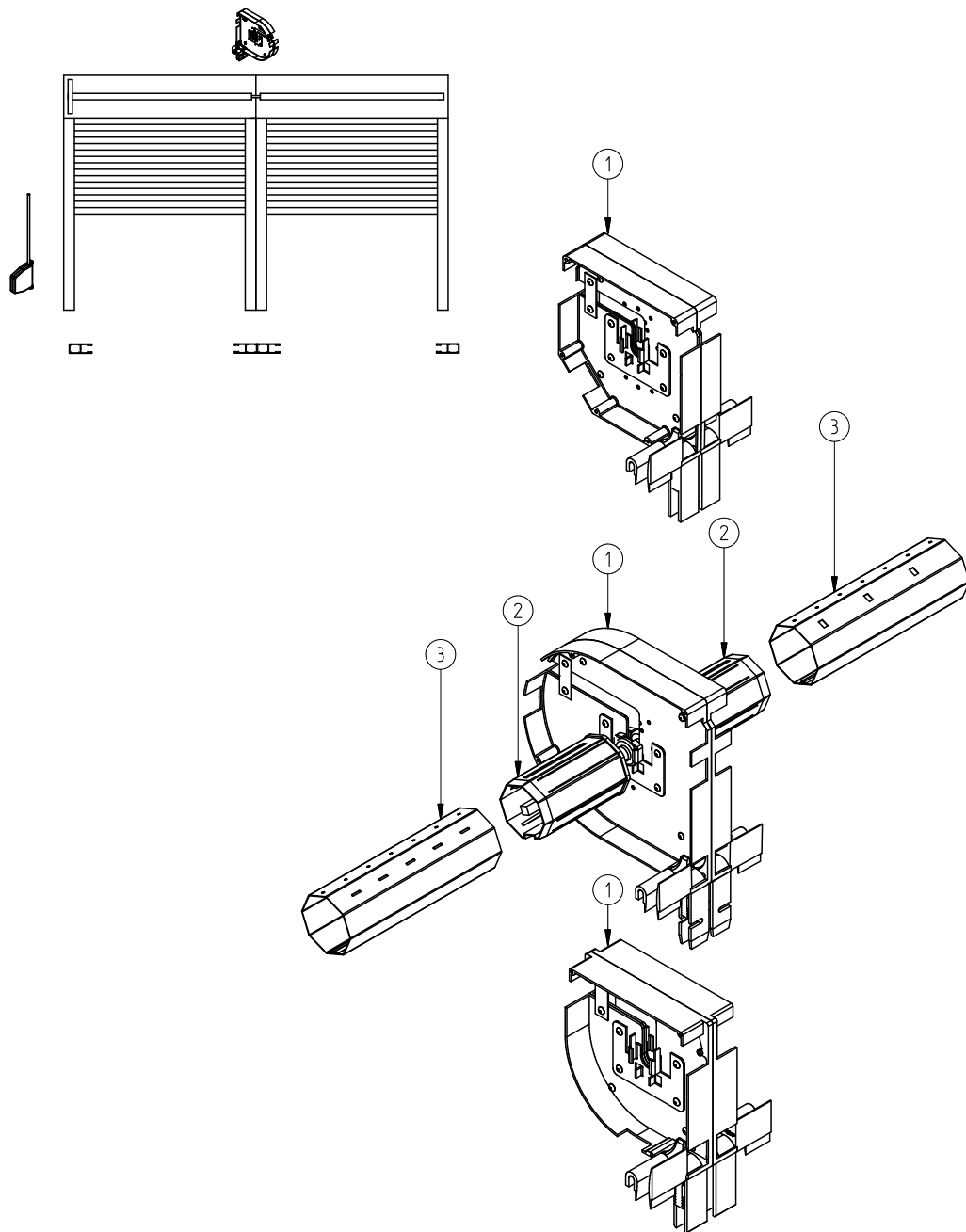
Components for front mounted roller shutter system Assembly drawings - divisions

Division for two single guides in a roller shutter with mosquito net and dependent drive.



| | | |
|---|---------|---|
| 1 | BPS 210 | Division of ST2000/IT2000 box with mosquito net |
| | BPR 210 | Division of RL2000 box with mosquito net |
| | BPO 210 | Division of OS2000 box with mosquito net |
| 2 | RKZ 34 | Round bolt for $\varnothing 40$ pipe |
| | RKZ 35 | Round bolt for $\varnothing 60$ pipe |
| 3 | SW 40 | Octagonal pipe $\varnothing 40$ |
| | SW 60 | Octagonal pipe $\varnothing 60$ |

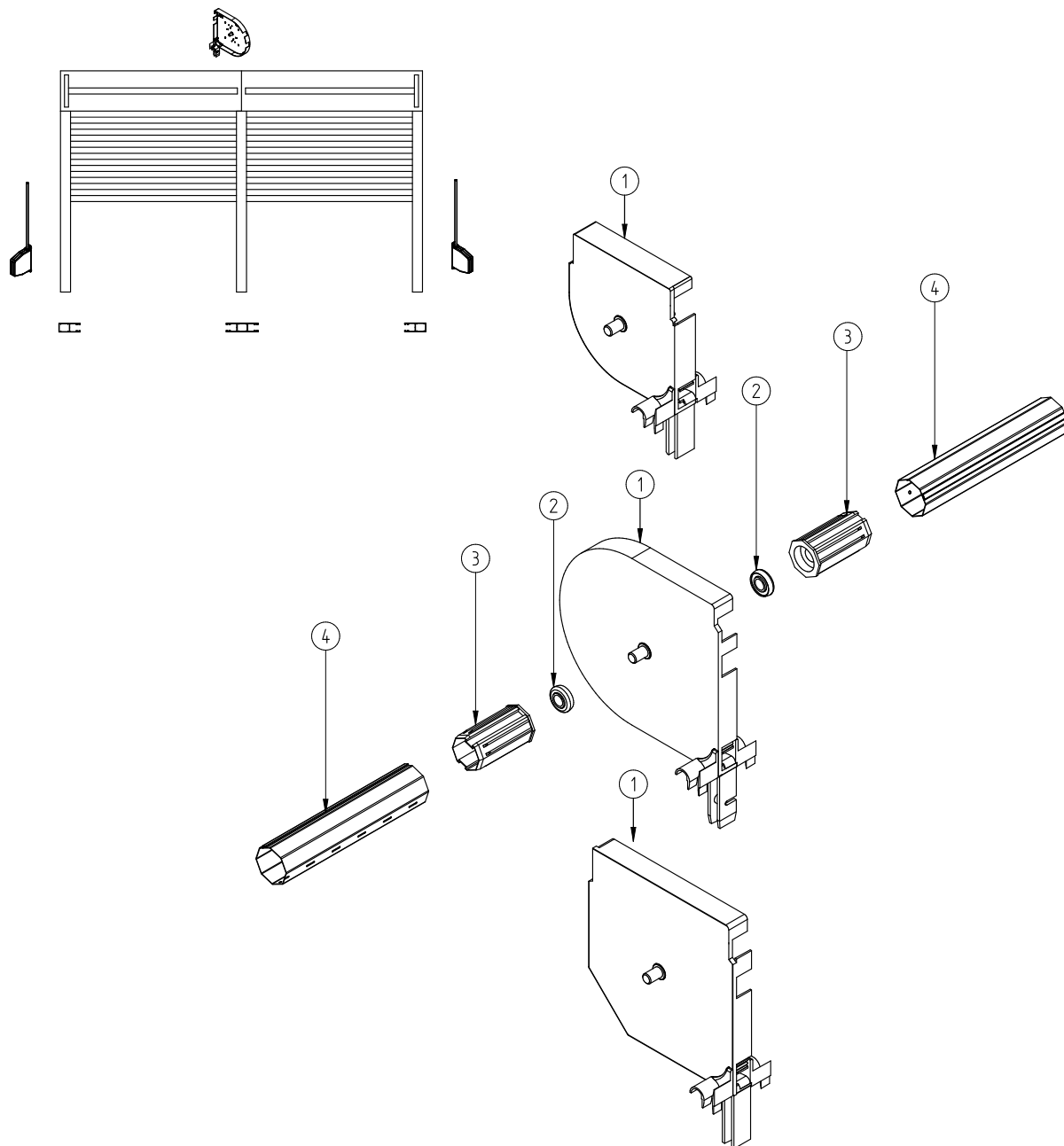
Division for two single guides in a roller shutter with PA-52 curtain and dependent drive.



| | | |
|---|---------|---|
| 1 | BPS 310 | Division of ST2000/IT2000 box for PA-52 curtain |
| | BPR 310 | Division of RL2000 box for PA-52 curtain |
| | BPO 310 | Division of OS2000 box for PA-52 curtain |
| 2 | RKZ 34 | Round bolt for $\varnothing 40$ pipe |
| | RKZ 35 | Round bolt for $\varnothing 60$ pipe |
| 3 | SW 40 | Octagonal pipe $\varnothing 40$ |
| | SW 60 | Octagonal pipe $\varnothing 60$ |

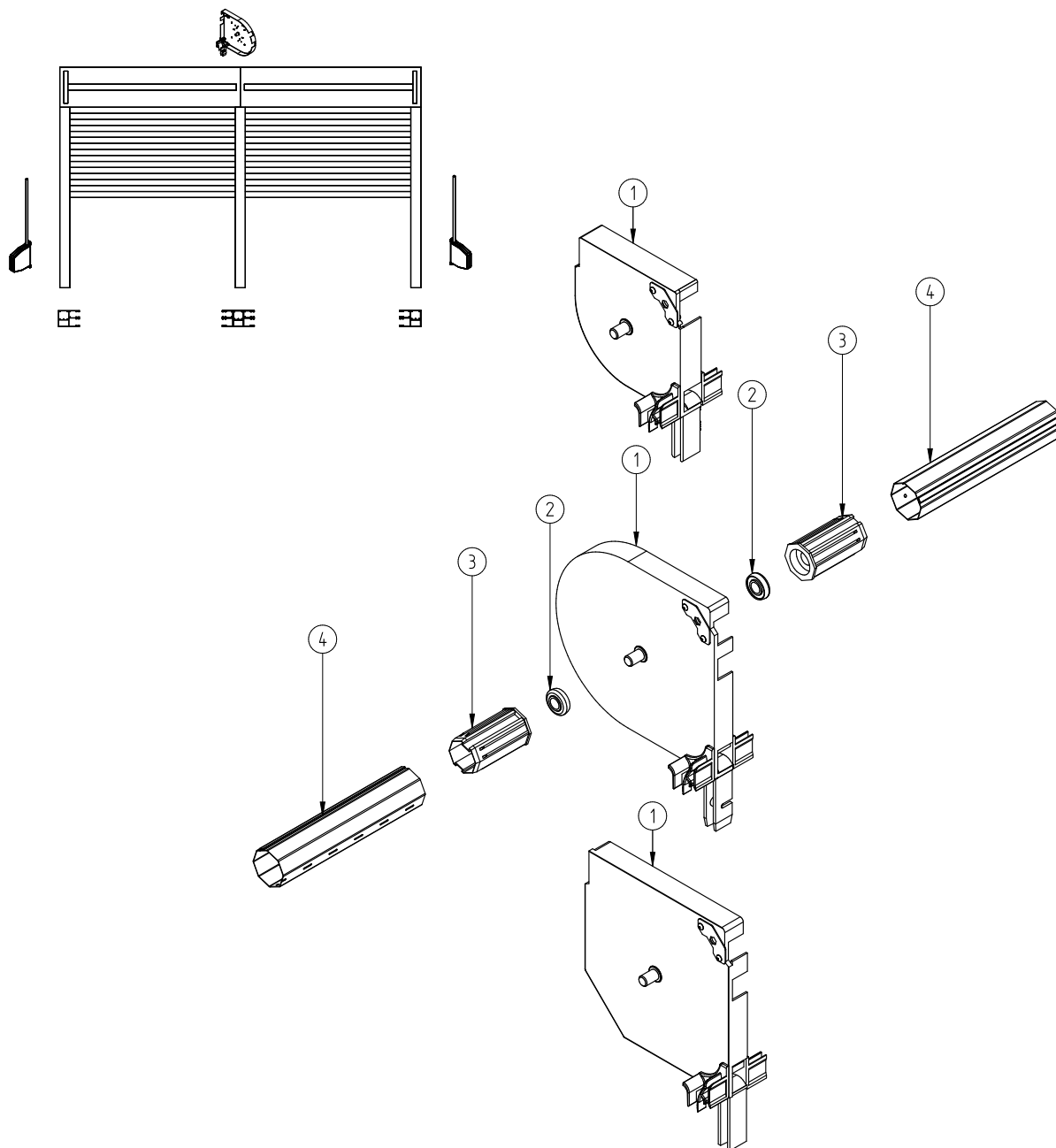
Components for front mounted roller shutter system Assembly drawings - divisions

Division for a double guide in a roller shutter with independent drive.



| | | |
|---|-------------------------------|---|
| 1 | BPS 120 BPR 120 BPO 120 | Division of ST2000/IT2000 box Division of RL2000 box Division of OS2000 box |
| 2 | LO 28/12 | Bearing for front mounted roller shutter boxes $\varnothing 60$ |
| 3 | OBS-40/78 OBS-60/78 | Mounting 40/78 for aluminium Mounting 60/78 for aluminium |
| 4 | SW 40 SW 60 | Octagonal pipe $\varnothing 40$ Octagonal pipe $\varnothing 60$ |

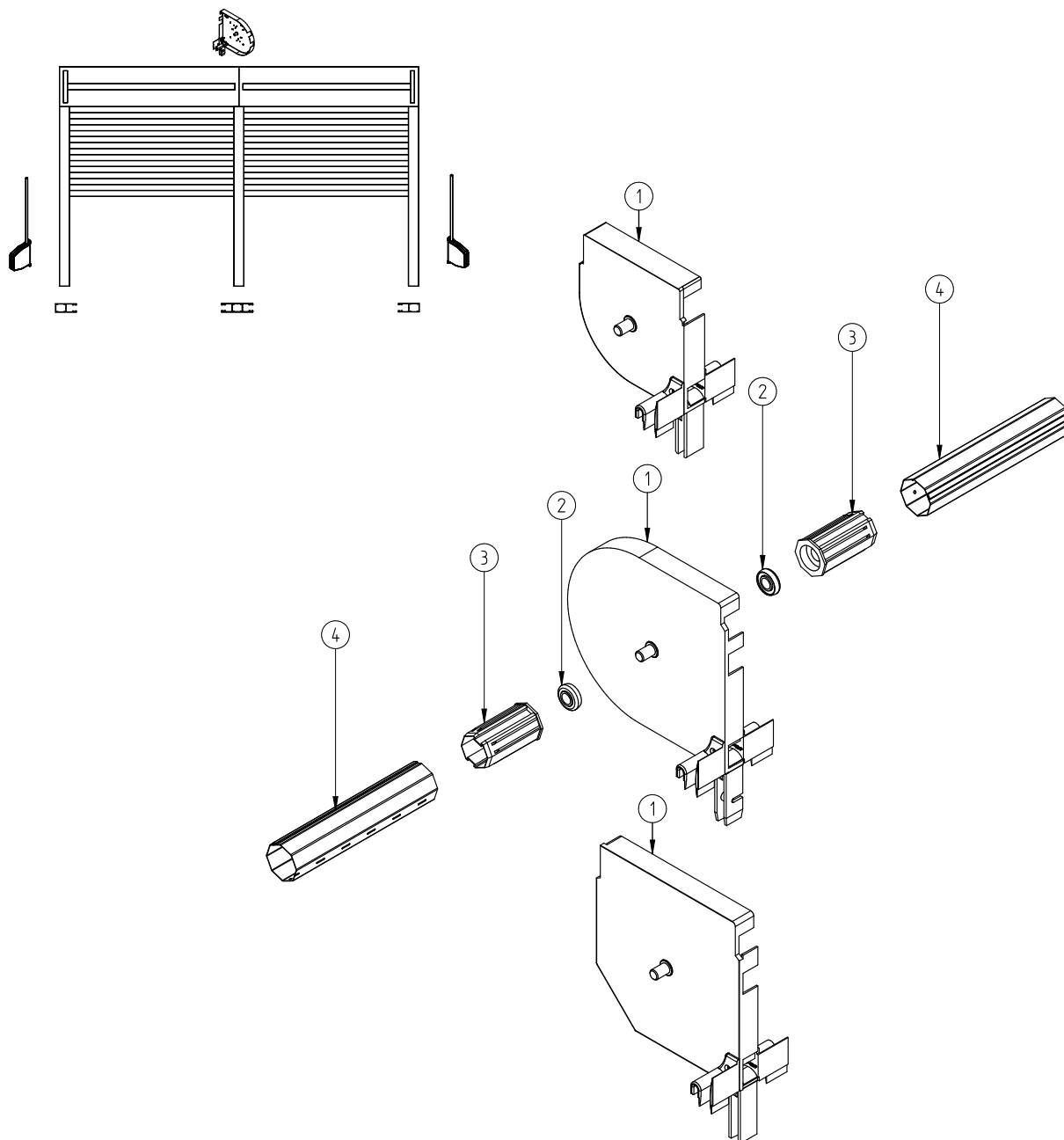
Division for a double guide in a roller shutter with mosquito net and independent drive.



| | | |
|---|-------------------------------|---|
| 1 | BPS 220 BPR 220 BPO 220 | Division of ST2000/IT2000 box with mosquito net Division of RL2000 box with mosquito net Division of OS2000 box with mosquito net |
| 2 | LO 28/12 | Bearing for front mounted roller shutter boxes $\varnothing 60$ |
| 3 | OBS-40/78 OBS-60/78 | Mounting 40/78 for aluminium Mounting 60/78 for aluminium |
| 4 | SW 40 SW 60 | Octagonal pipe $\varnothing 40$ Octagonal pipe $\varnothing 60$ |

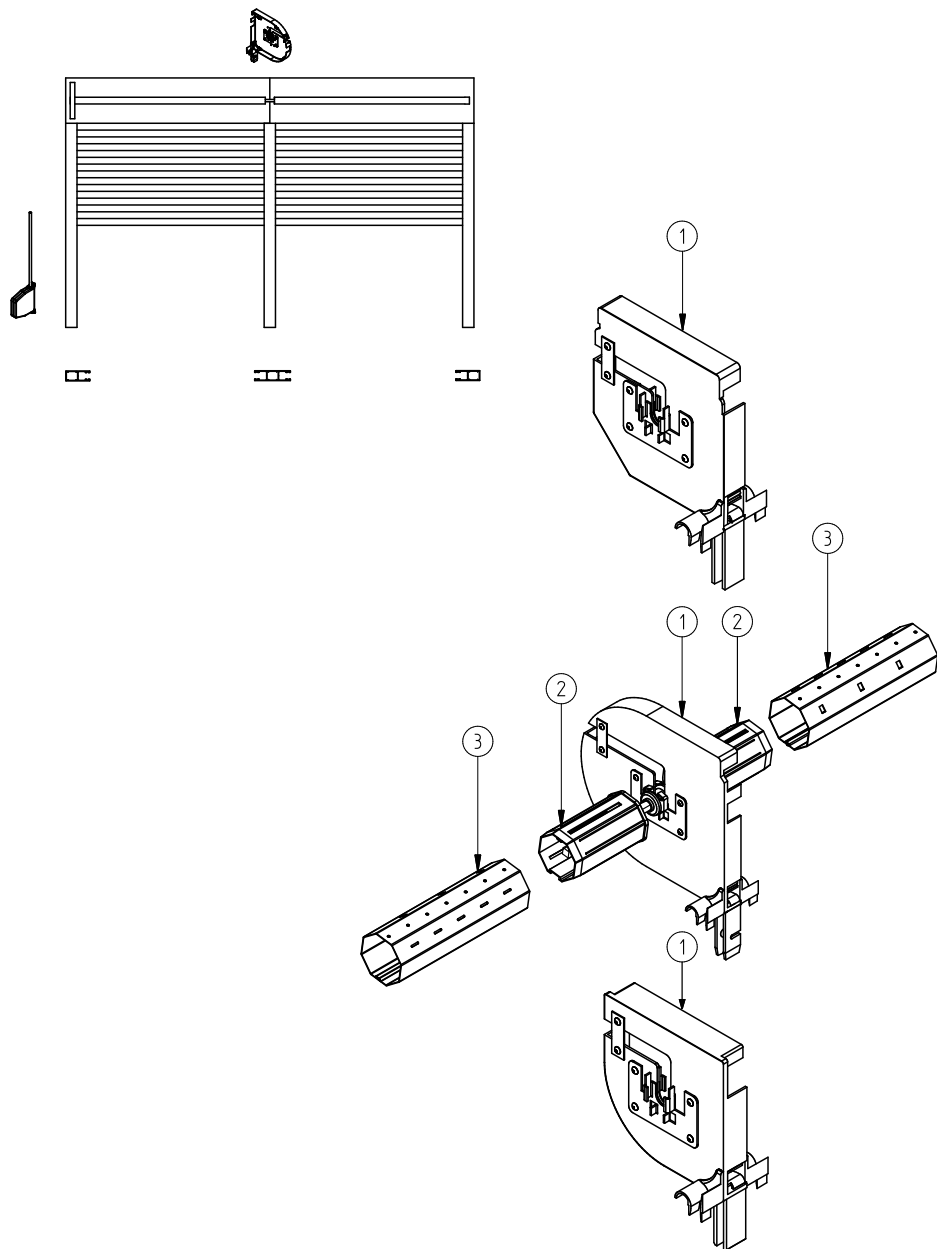
Components for front mounted roller shutter system Assembly drawings - divisions

Division for a double guide in a roller shutter with PA-52 curtain and independent drive.



| | | |
|---|-------------------------------|--|
| 1 | BPS 320 BPR 320 BPO 320 | Division of ST2000/IT2000 box for PA-52 curtain Division of RL2000 box for PA-52 curtain Division of OS2000 box for PA-5 curtain |
| 2 | LO 28/12 | Bearing for front mounted roller shutter boxes $\varnothing 60$ |
| 3 | OBS-40/78 OBS-60/78 | Mounting 40/78 for aluminium Mounting 60/78 for aluminium |
| 4 | SW 40 SW 60 | Octagonal pipe $\varnothing 40$ Octagonal pipe $\varnothing 60$ |

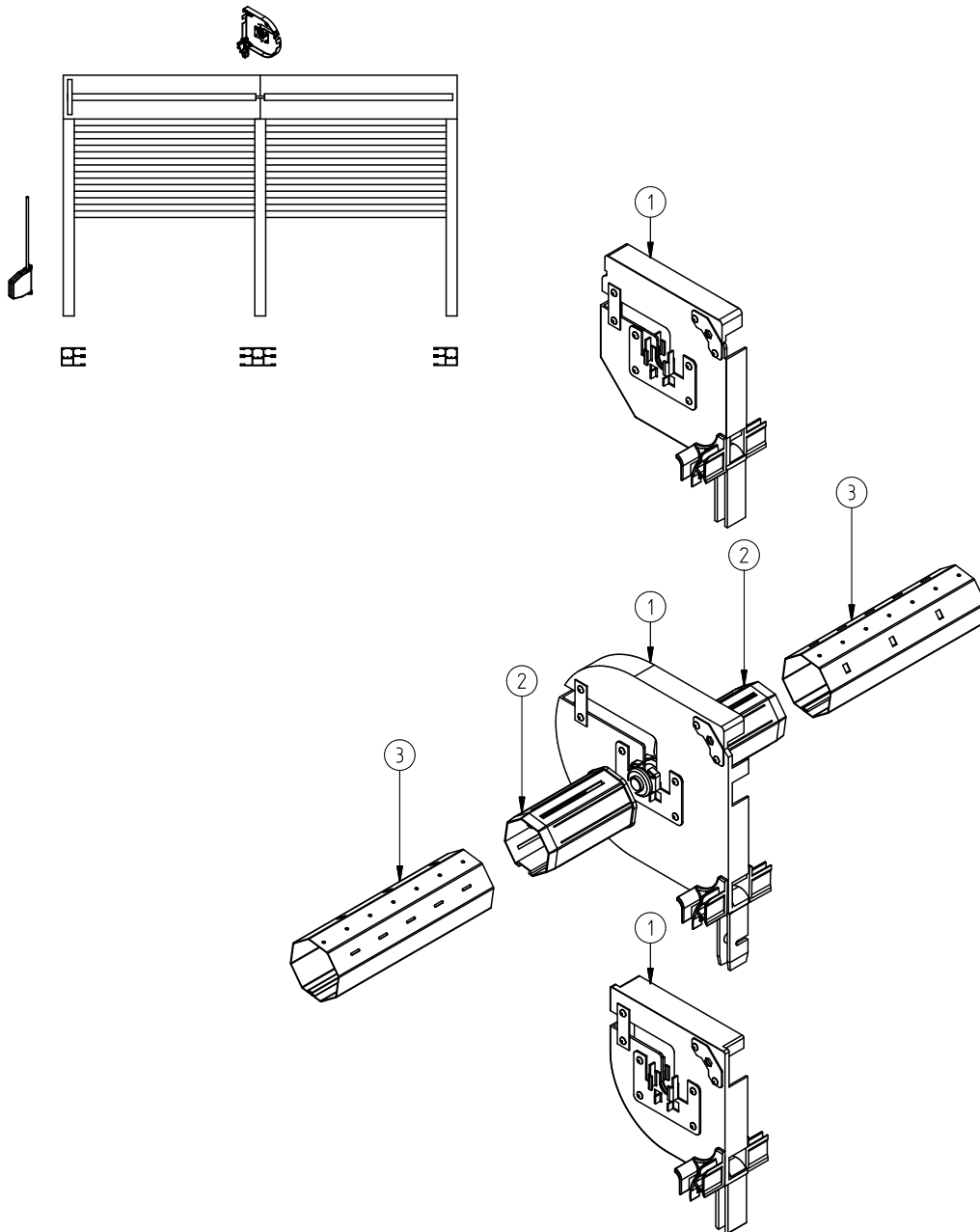
Division for a double guide in a roller shutter with dependent drive.



| | | |
|---|---------|--------------------------------------|
| 1 | BPS 130 | Division of ST2000/IT2000 box |
| | BPR 130 | Division of RL2000 box |
| | BPO 130 | Division of OS2000 box |
| 2 | RKZ 34 | Round bolt for $\varnothing 40$ pipe |
| | RKZ 35 | Round bolt for $\varnothing 60$ pipe |
| 3 | SW 40 | Octagonal pipe $\varnothing 40$ |
| | SW 60 | Octagonal pipe $\varnothing 60$ |

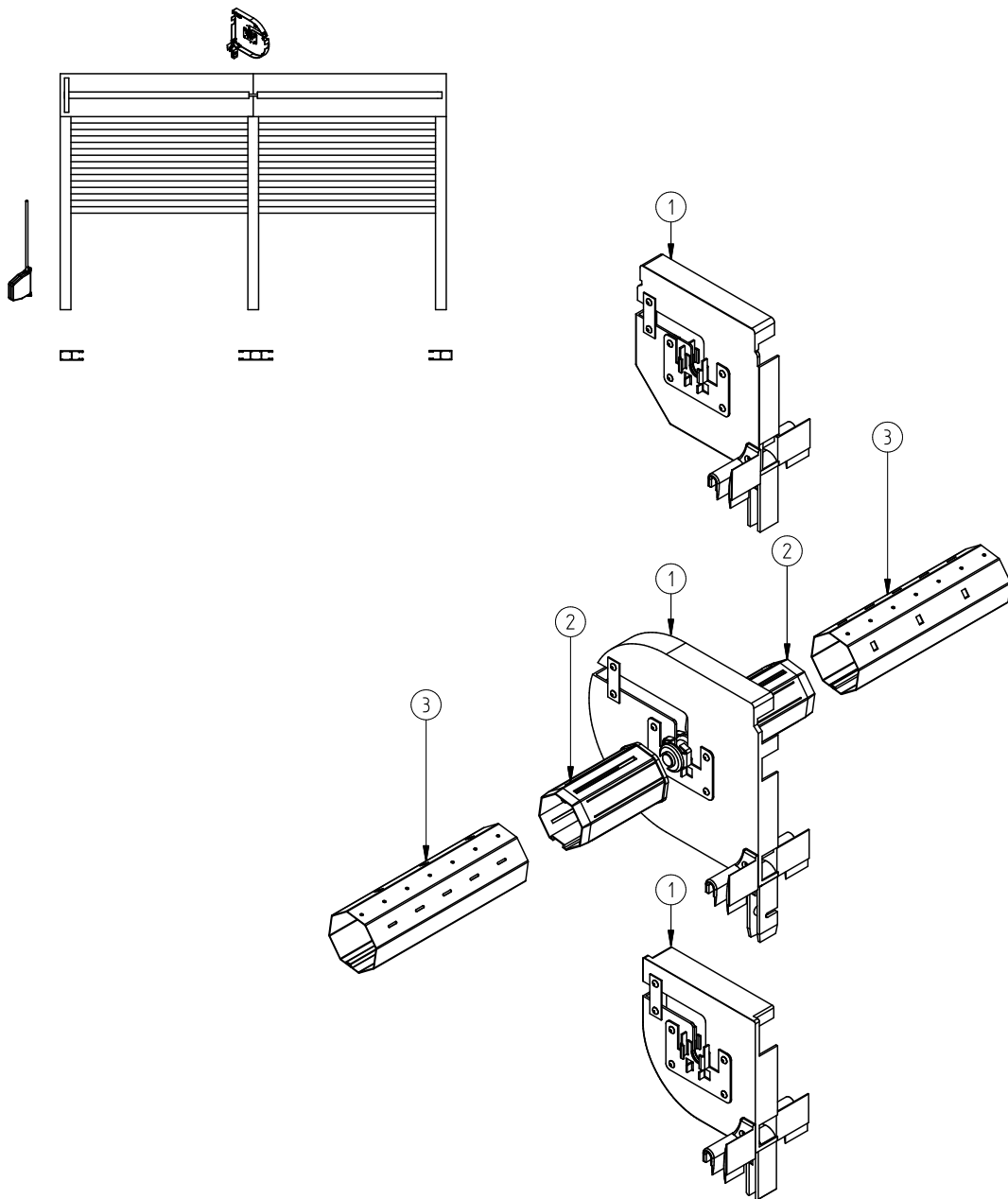
Components for front mounted roller shutter system Assembly drawings - divisions

Division for a double guide in a roller shutter with mosquito net and dependent drive.



| | | |
|---|---------|---|
| 1 | BPS 230 | Division of ST2000/IT2000 box with mosquito net |
| | BPR 230 | Division of RL2000 box with mosquito net |
| | BPO 230 | Division of OS2000 box with mosquito net |
| 2 | RKZ 34 | Round bolt for $\varnothing 40$ pipe |
| | RKZ 35 | Round bolt for $\varnothing 60$ pipe |
| 3 | SW 40 | Octagonal pipe $\varnothing 40$ |
| | SW 60 | Octagonal pipe $\varnothing 60$ |

Division for a double guide in a roller shutter with PA-52 curtain and dependent drive.



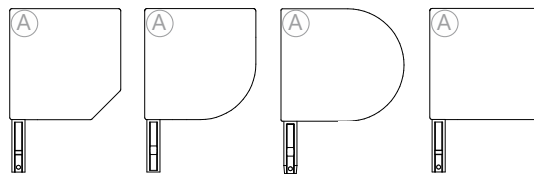
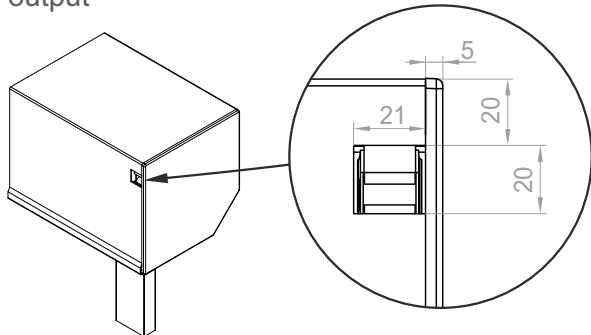
| | | |
|---|---------|---|
| 1 | BPS 330 | Division of ST2000/IT2000 box for PA-52 curtain |
| | BPR 330 | Division of RL2000 box for PA-52 curtain |
| | BPO 330 | Division of OS2000 box for PA-52 curtain |
| 2 | RKZ 34 | Round bolt for $\varnothing 40$ pipe |
| | RKZ 35 | Round bolt for $\varnothing 60$ pipe |
| 3 | SW 40 | Octagonal pipe $\varnothing 40$ |
| | SW 60 | Octagonal pipe $\varnothing 60$ |

Components for front mounted roller shutter system

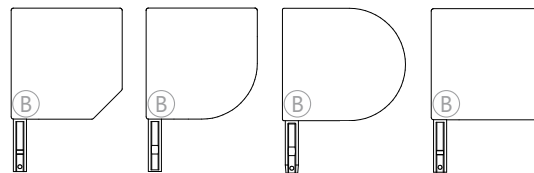
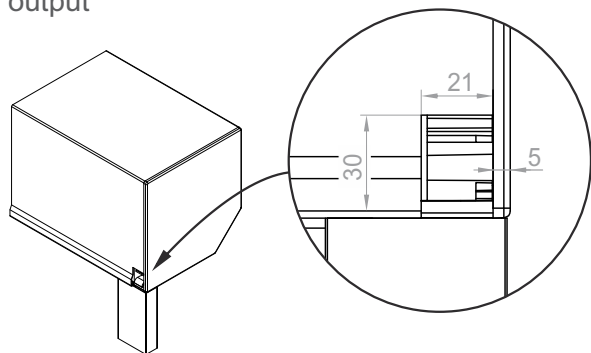
Output of the tape

Dimensioning diagram of the output of the tape from the aluminium box.

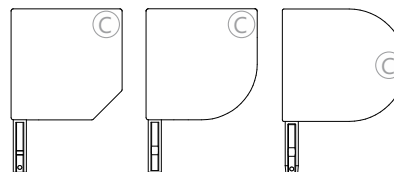
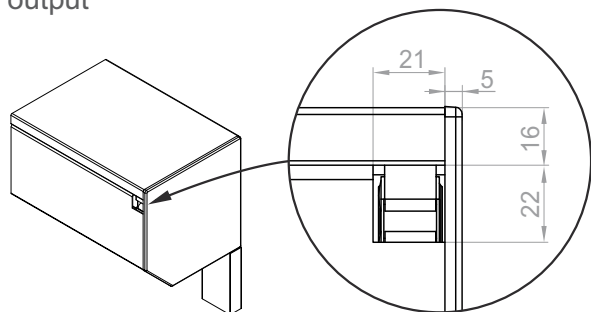
A output



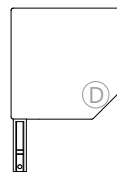
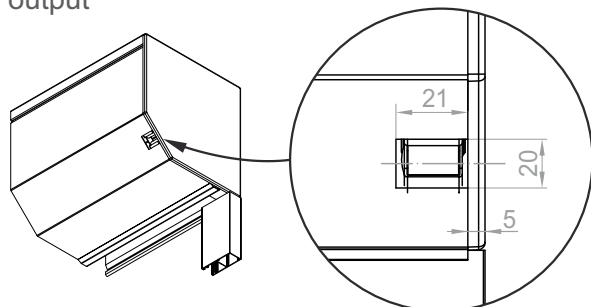
B output



C output



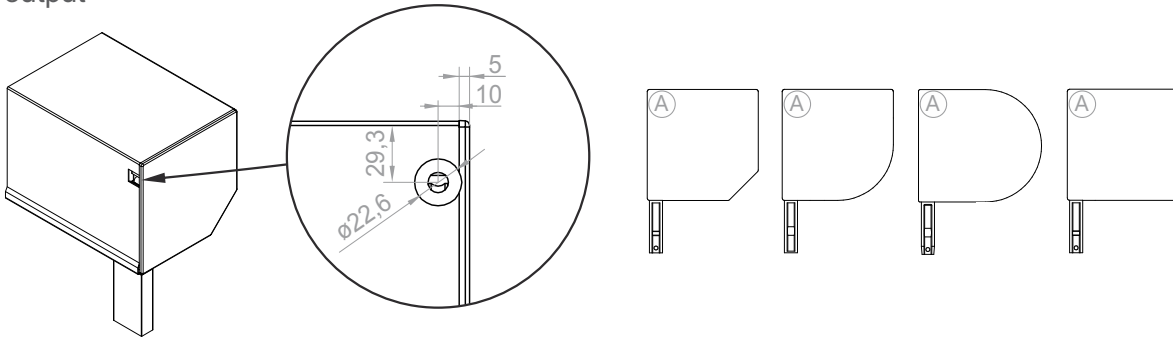
D output



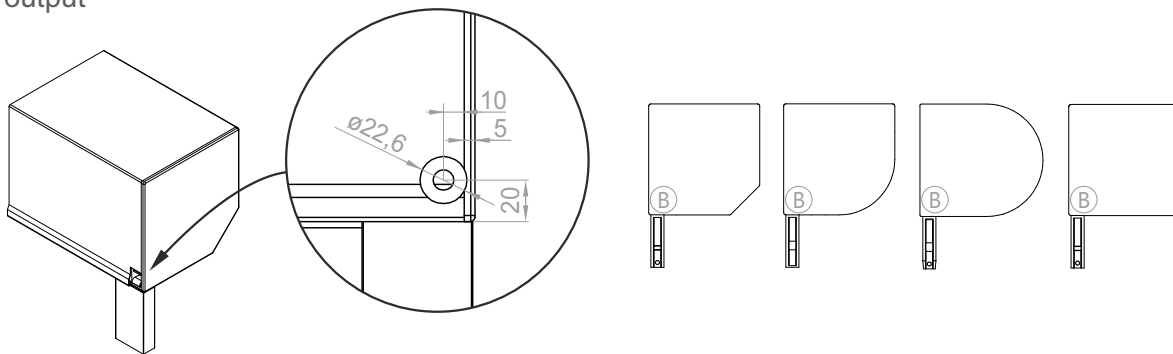
If the output of the tape is not specified in the order, as standard B output will be accepted for A and B type roller shutter and C output for C type roller shutter.

Dimensioning scheme of the output of the cord, cable from an aluminium box.

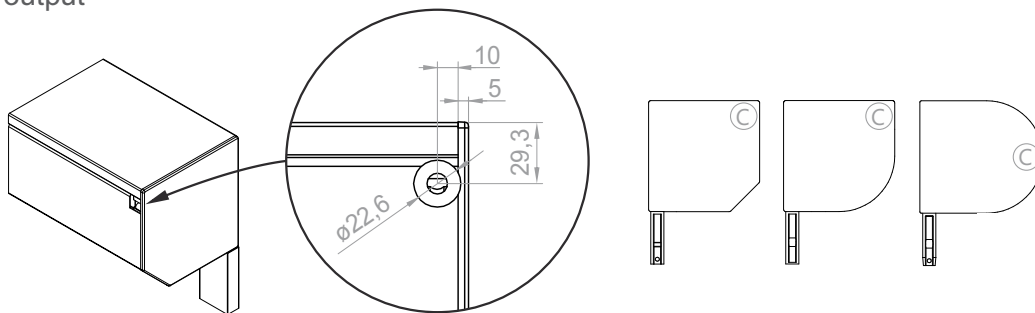
A output



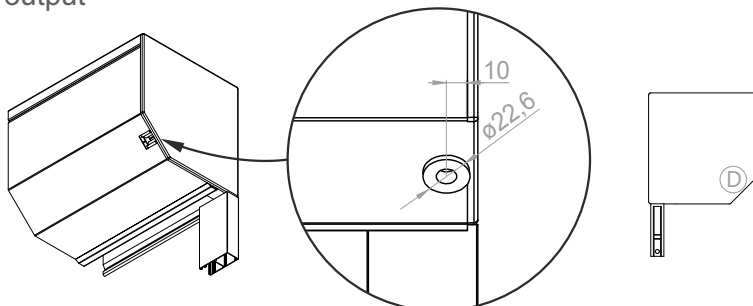
B output



C output

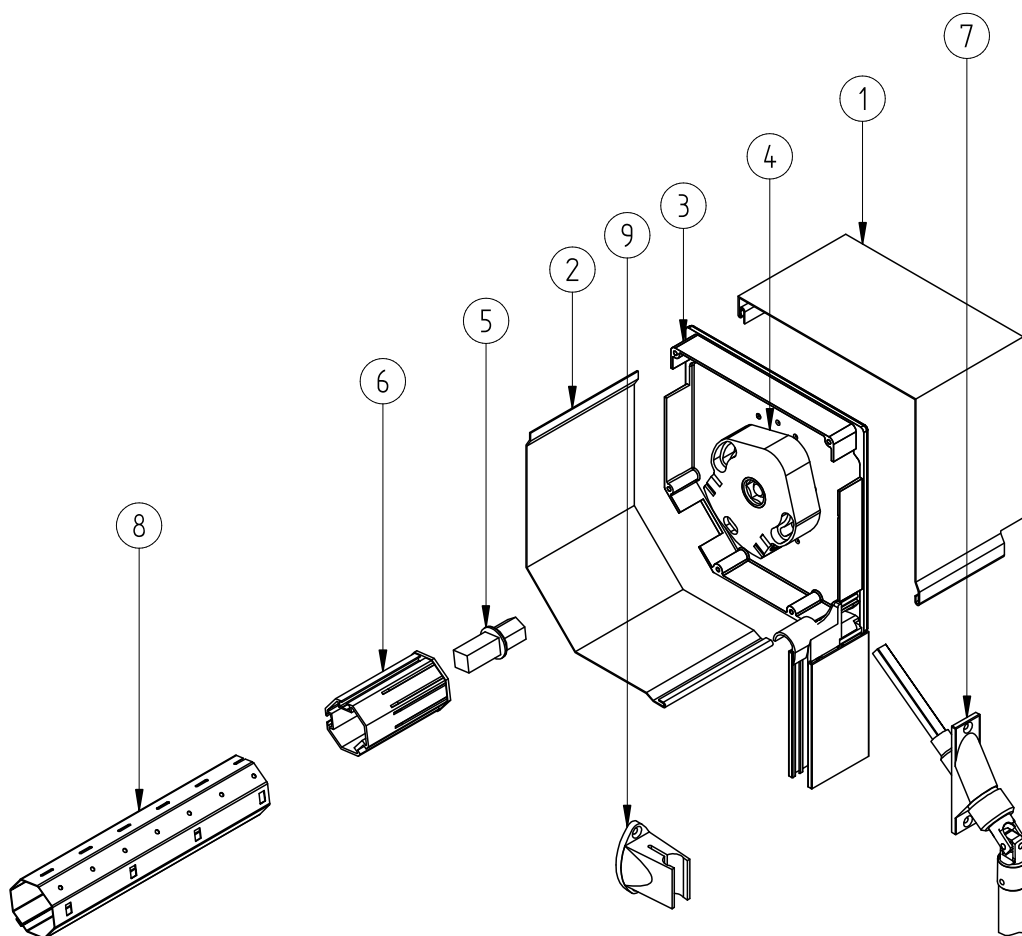


D output

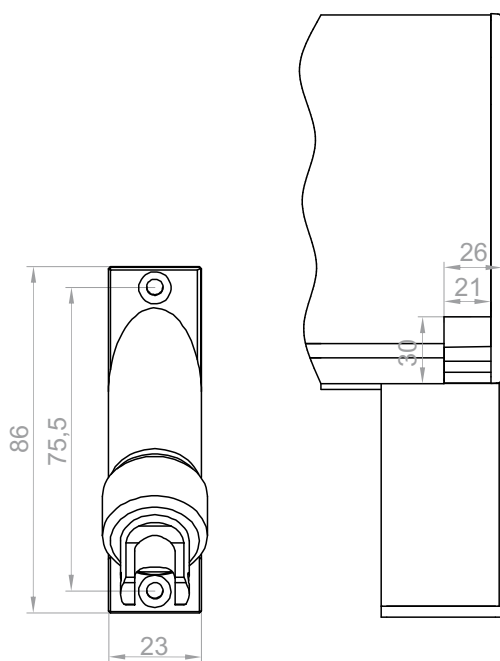


If the output of the cord is not specified in the order, as standard B output will be accepted for A and B type roller shutter and C output for C type roller shutter.

Components for front mounted roller shutter system Assembly drawings - crank lifting mechanism



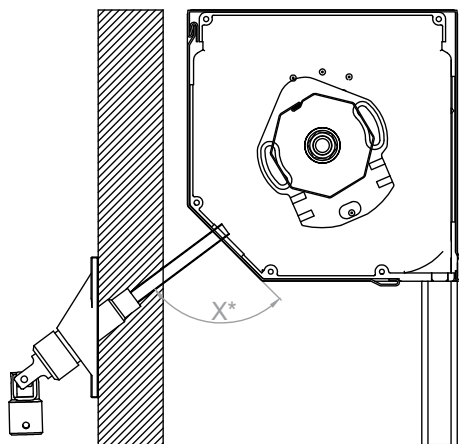
NOTE – roller shutters with crank lifting mechanism drive with cardan joint cannot be equipped with automatic bolts.



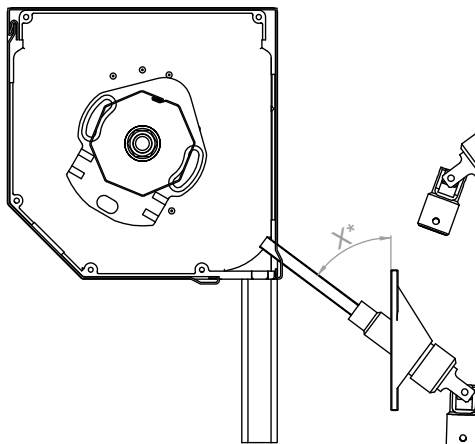
- | | |
|-----------------|--|
| 1. Box - top | (depending on the system ST2000, OS2000, RL2000) |
| 2. Box - bottom | (depending on the system ST2000, OS2000, RL2000) |
| 3. Box side | (depending on the system ST2000, OS2000, RL2000) |
| 4. ACE-1-11 | Crank mechanism ACE 1:11 to 32 kg |
| 5. | ACE Mounting pin - included with the ACE mechanism |
| 6. OBS-40-ACE | Mounting 40 for ACE mechanism |
| OBS-60-ACE | Mounting 60 for ACE mechanism |
| 7. KRH-90/1500 | Cardan with crank 1500 mm |
| 8. SW 40 | Octagonal pipe 40 mm |
| SW 60 | Octagonal pipe 60 mm |
| 9. U-KRD | Wall handle for cardan crank |

Adjustment of the crank with cardan joint in the roller shutter box.

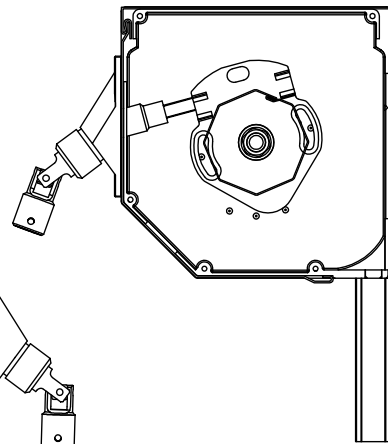
ST2000[®]
D output



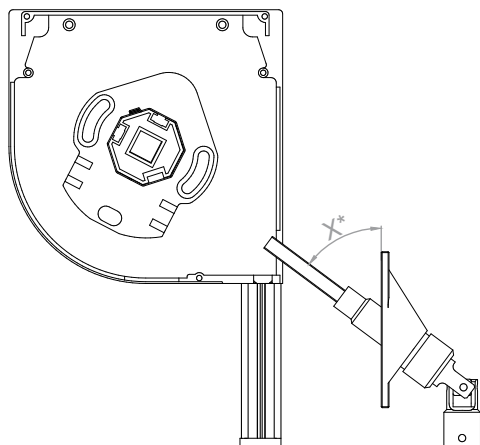
ST2000[®]
B output



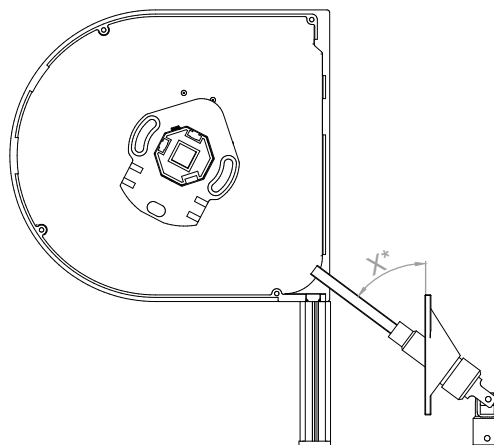
ST2000[®]
Unusual output, mounting the crank
on the inspection cover.



RL2000[®]
B output



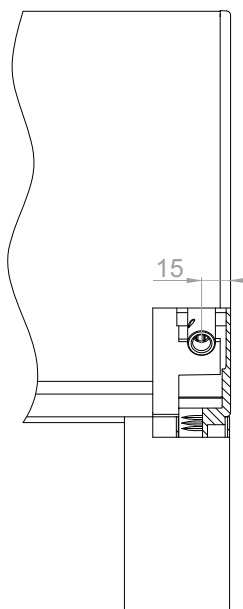
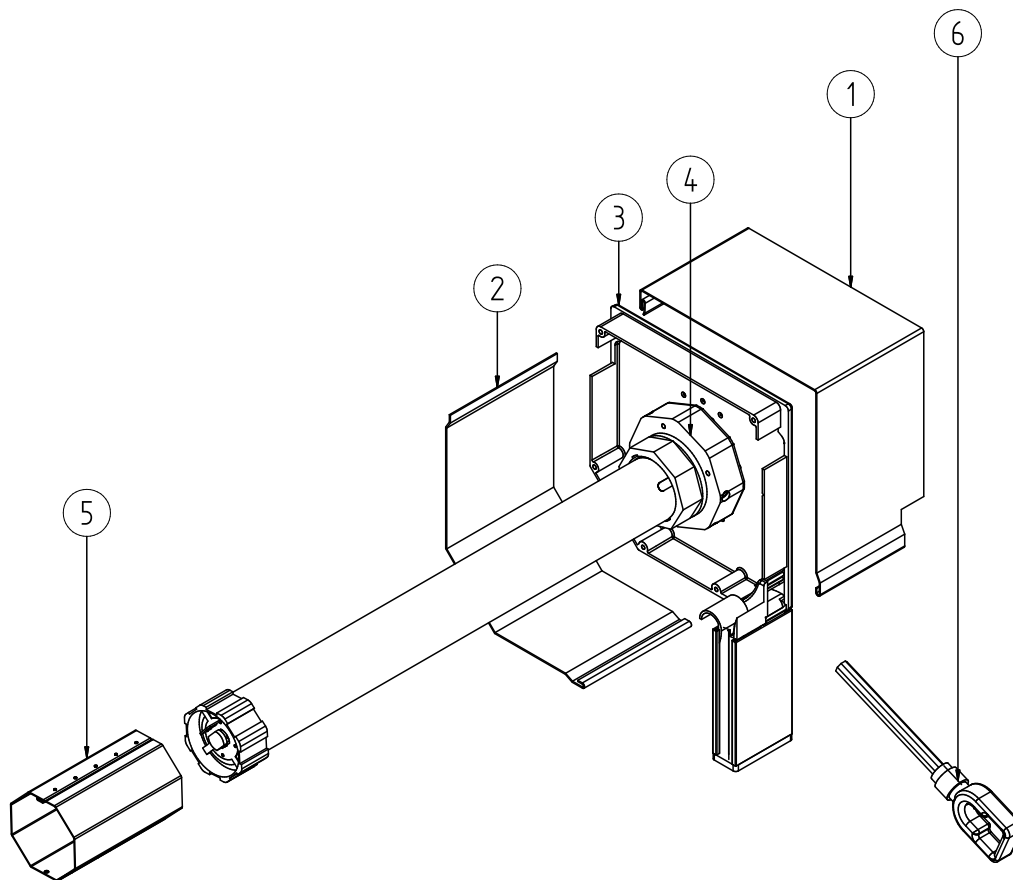
OS2000[®]
B output



* - Inclination angle of the crank depends on the size of the box and the place where the crank is installed.
In the IT2000 roller shutters there is no crank mechanism with cardan gear.

In the case of roller shutters of the B or C type installation, equipped with a crank lifting mechanism, it is recommended to use expanding profiles at the windows.

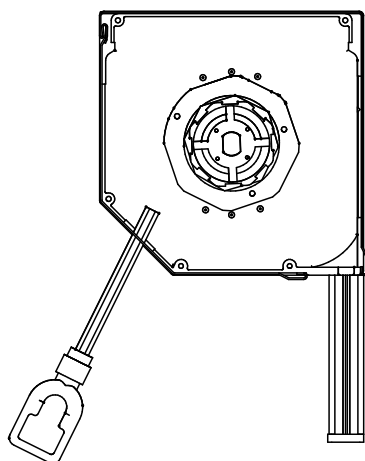
Components for front mounted roller shutter system Assembly drawings - NHK installation



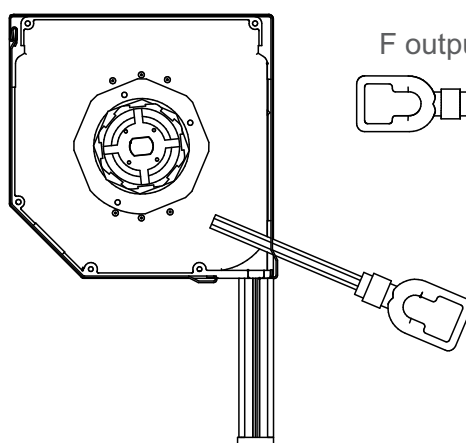
- | | |
|-----------------|--|
| 1. Box - top | (depending on the system ST2000, OS2000, RL2000) |
| 2. Box - bottom | (depending on the system ST2000, OS2000, RL2000) |
| 3. Box side | (depending on the system ST2000, OS2000, RL2000) |
| 4. | NHK drive |
| 5. SW 40 | Octagonal pipe 40 mm |
| SW 60 | Octagonal pipe 60 mm |
| 6. TZU-S | Pin with eye for NHK drives |

Setting the NHK head in the front mounted roller shutter box.

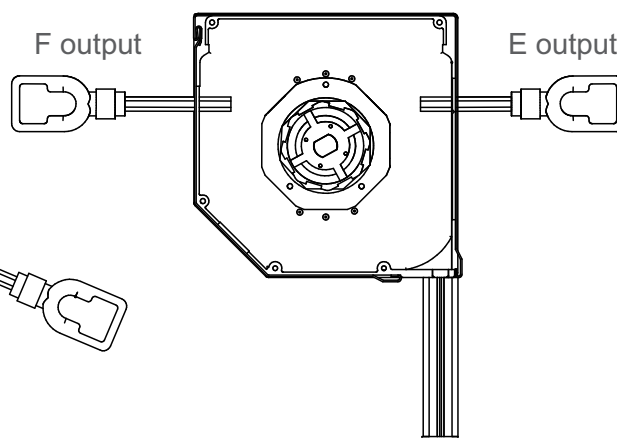
ST2000®
D output



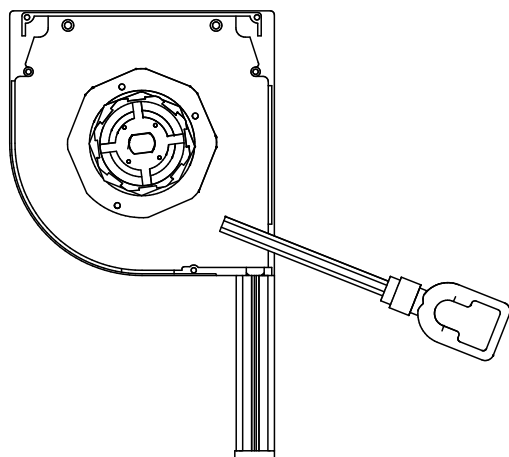
ST2000®
B output



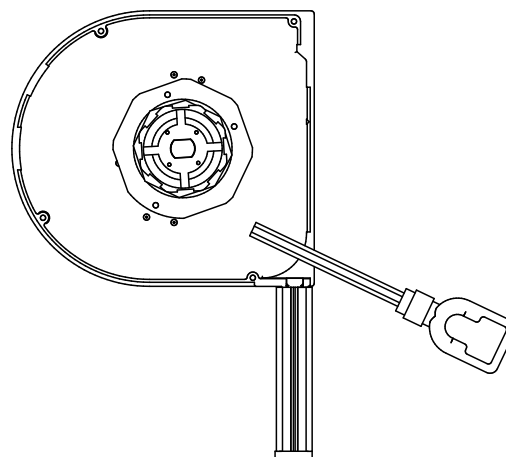
ST2000®
Unusual outputs.



RL2000®
B output



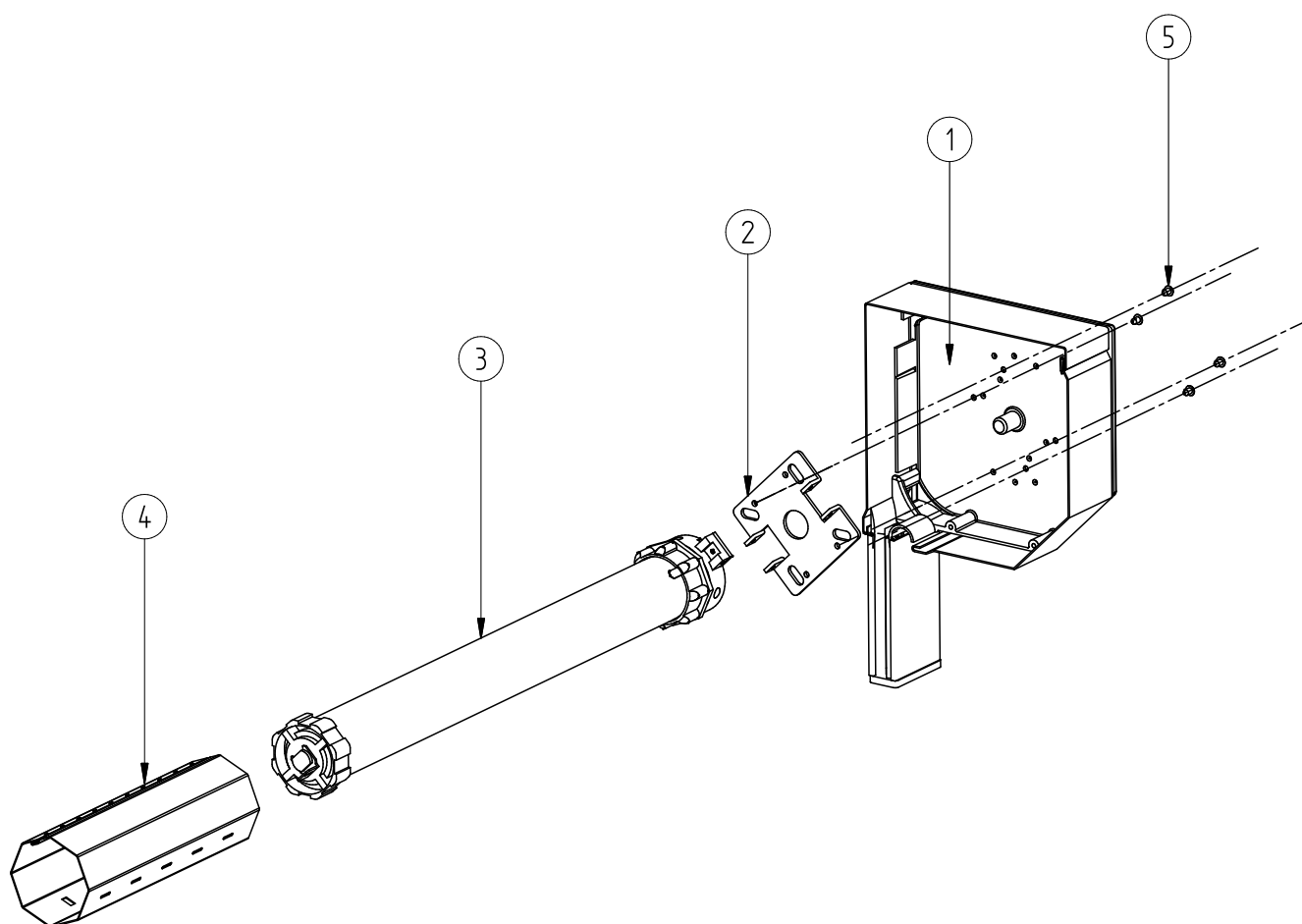
OS2000®
B output



* - The inclination angle of the pin output depends on the size of the box.
In IT2000 roller shutters there is no emergency manual lifting mechanism

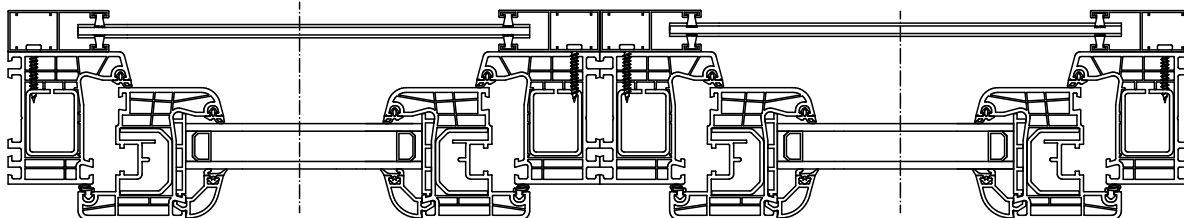
In the case of roller shutters of the B or C type installation, equipped with NHK drive, it is recommended to use expanding profiles at the windows.

Components for front mounted roller shutter system Assembly drawings - installation of the motor

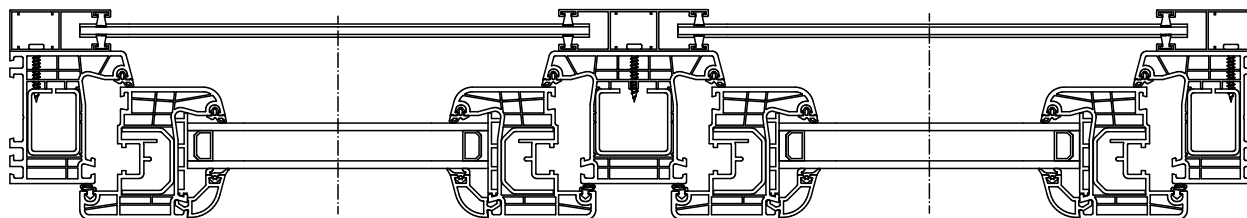


| | |
|---|--|
| 1 | ST2000, RL2000, OS2000, IT2000 front mounted roller shutter box |
| 2 | Handle for motor |
| 3 | Drive |
| 4 | SW 40 Octagonal pipe $\varnothing 40$ SW 60 Octagonal pipe $\varnothing 60$ |
| 5 | 4x8 rivets |

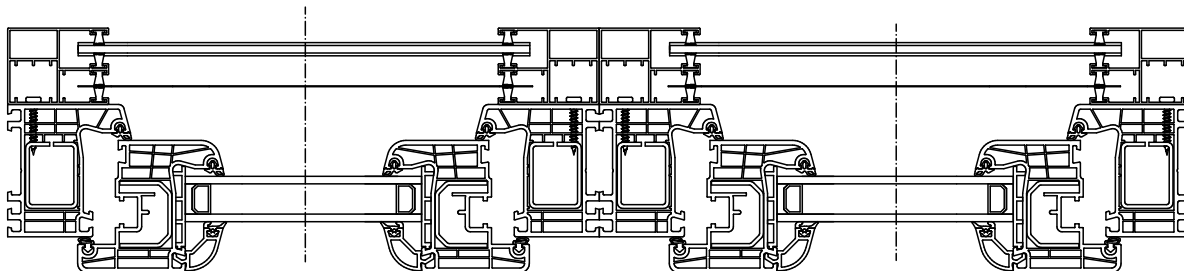
Installation of PP-53 straight guides - B type installation.



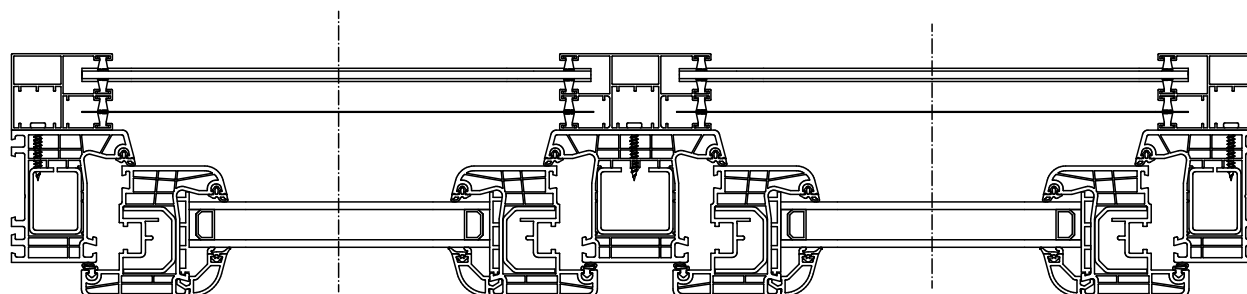
Installation of PP-53 straight guides and PPD-79 double guide - B type installation.



Installation of PPDM-53 guides - B type installation.

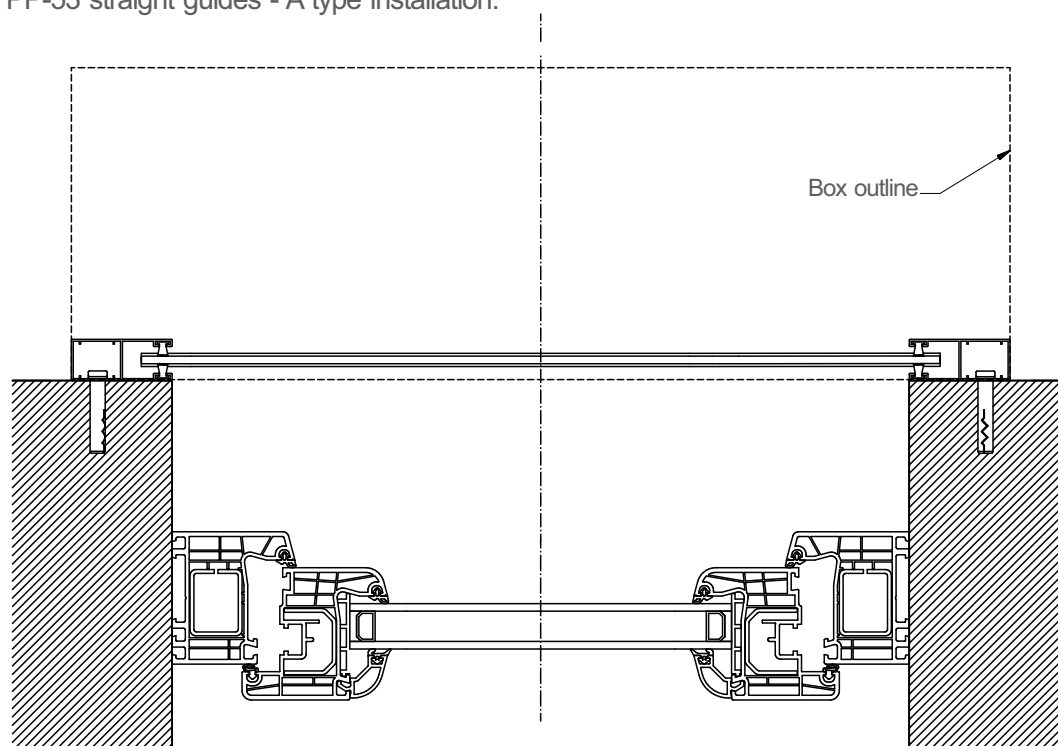


Installation of PPDM-53 guides and PPDM-80 double guide - B type installation.

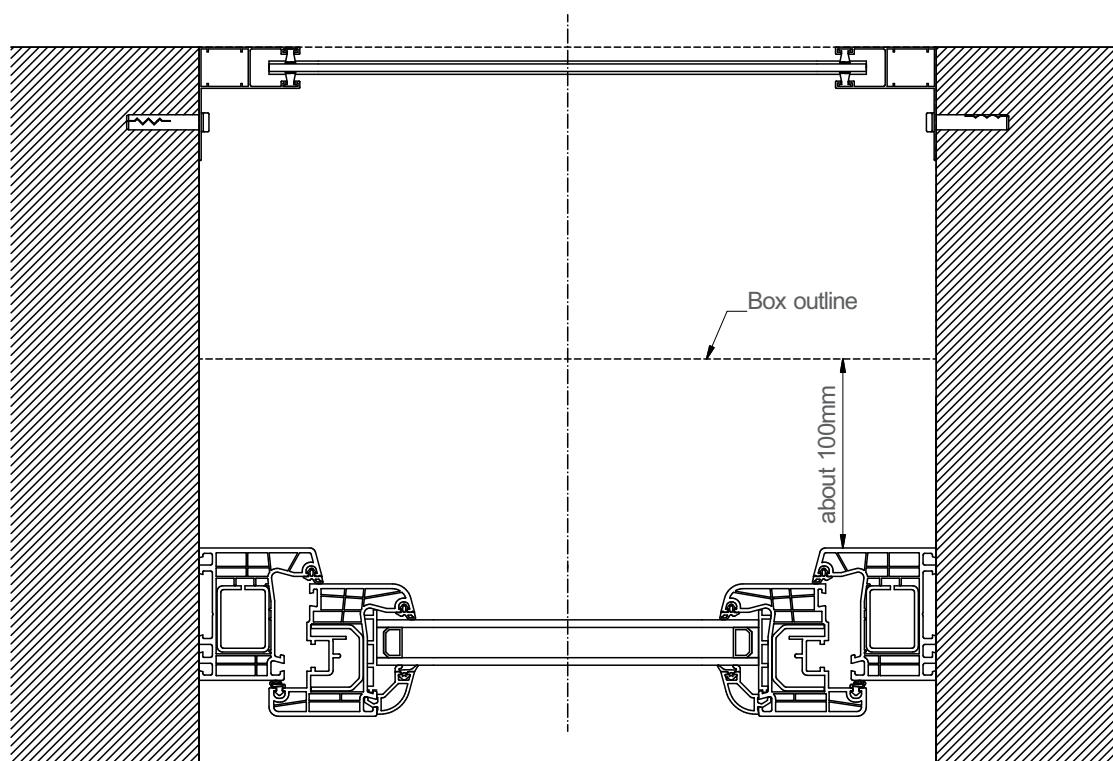


Components for front mounted roller shutter system Assembly drawings - installation of guides

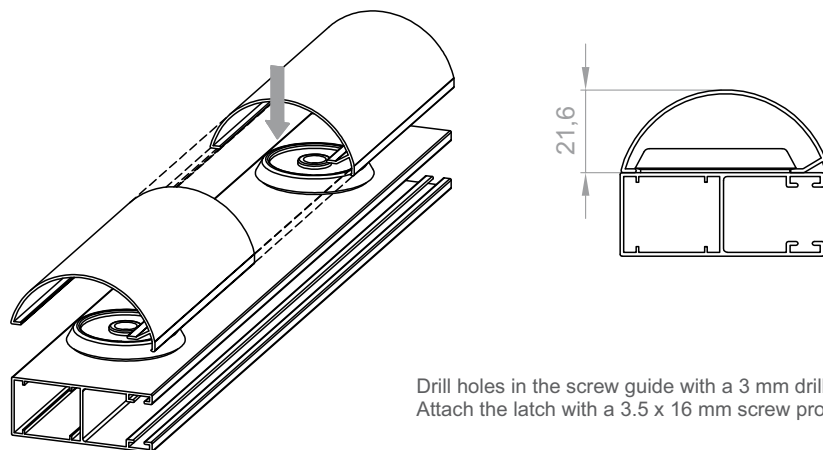
Installation of PP-53 straight guides - A type installation.



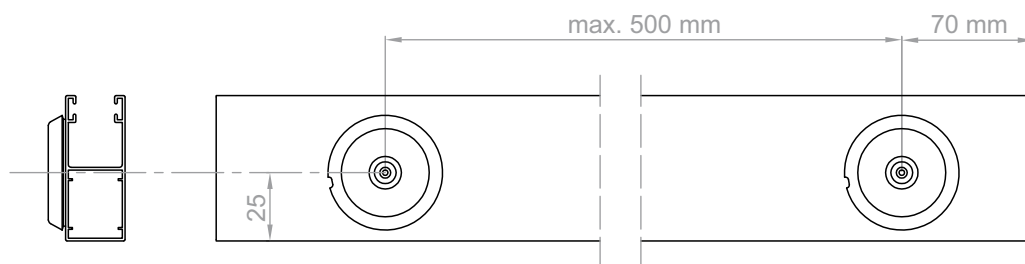
Installation of PK-53 corner guides - C type installation.



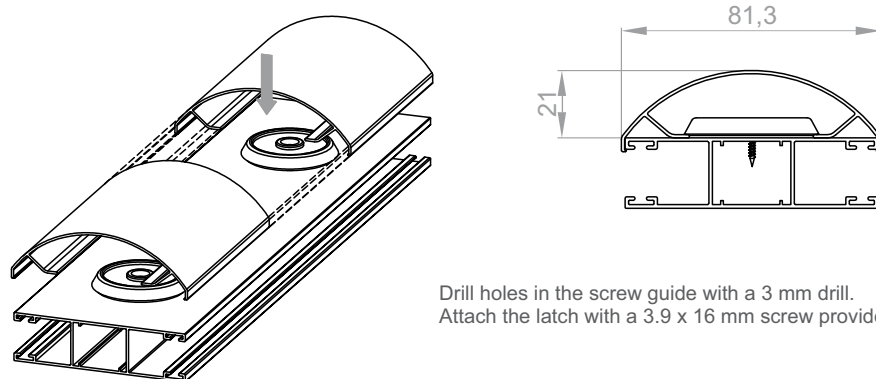
Method of attaching the latches of the single semi-circular cap.



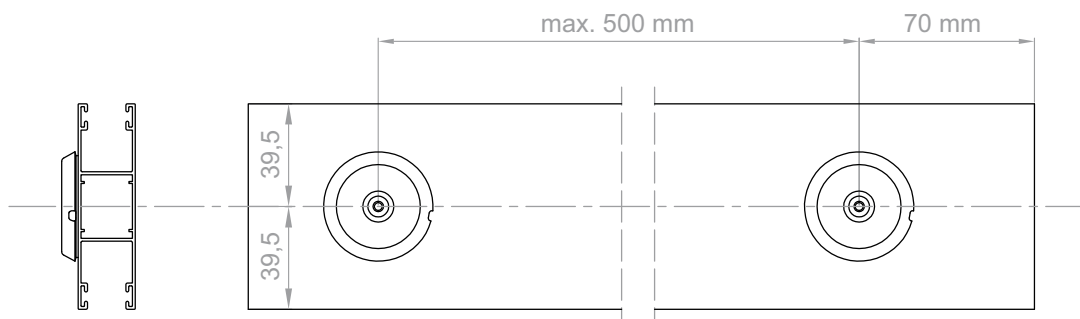
Drill holes in the screw guide with a 3 mm drill.
Attach the latch with a 3.5 x 16 mm screw provided in the set.



Method of attaching latches of the double semi-circular cap.

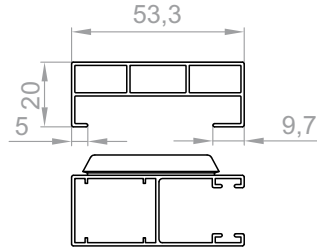
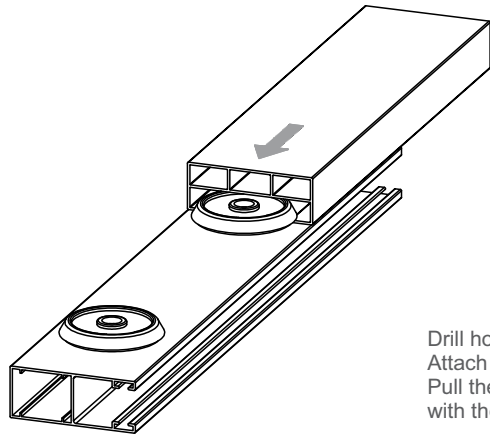


Drill holes in the screw guide with a 3 mm drill.
Attach the latch with a 3.9 x 16 mm screw provided in the set.

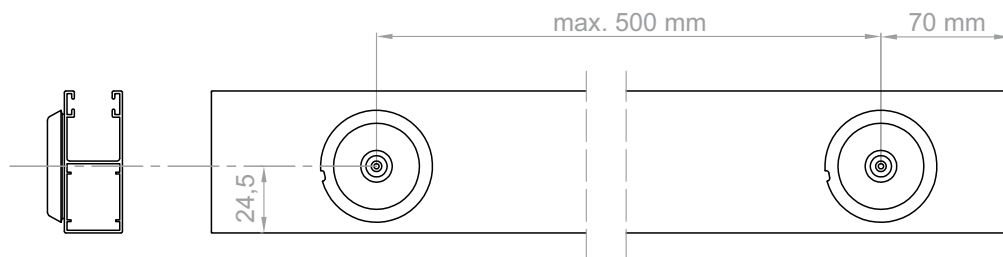


Front mounted roller shutter system Attaching latches, spacer strips

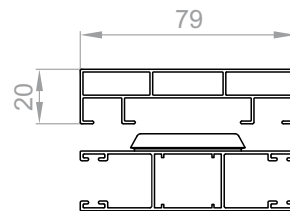
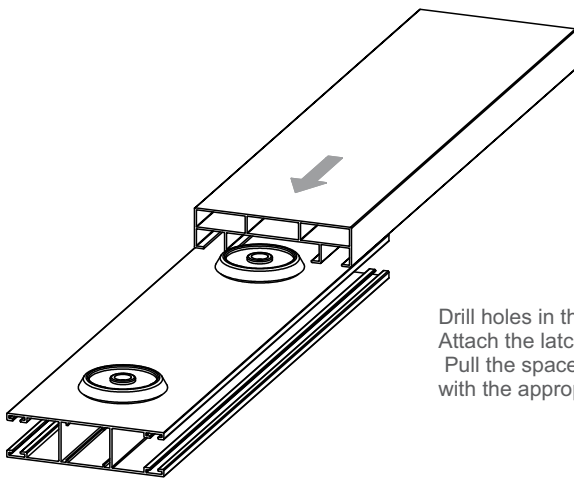
Method of attaching a spacer strip of the single guide.



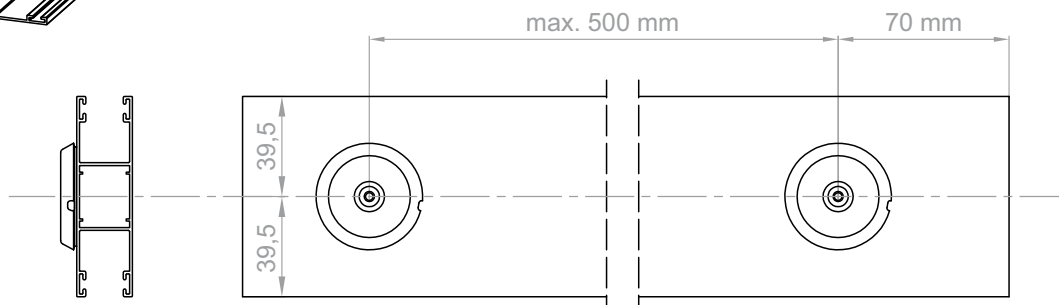
Drill holes in the screw guide with a 3 mm drill.
Attach the latch with a 3.9 x 16 mm screw provided in the set.
Pull the spacer strip onto the guide, paying attention to place it
with the appropriate side on the guide.



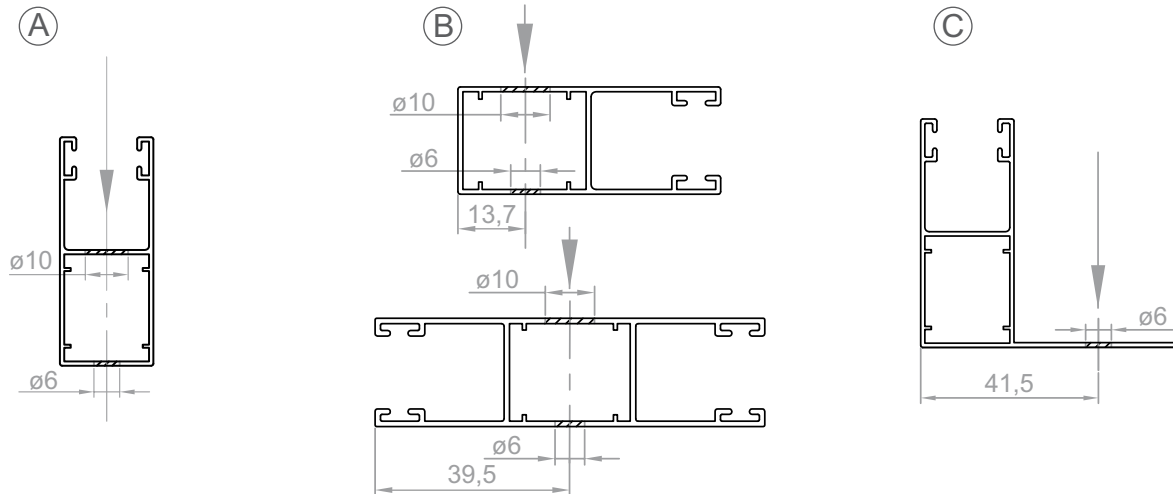
Method of attaching the spacer strip of the double guide.



Drill holes in the screw guide with a 3 mm drill.
Attach the latch with 3.9 x 16 mm screw provided in the set.
Pull the spacer strip onto the guide, paying attention to place it
with the appropriate side on the guide.

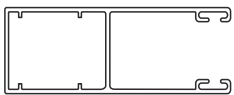


Methods of drilling holes for screws in guides:



Available drilling methods in individual guides:

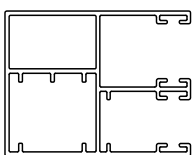
PP-53



Available drilling methods:

(A) (B)

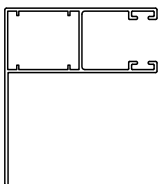
PPDM-53



Available drilling methods:

(B)

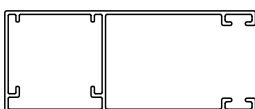
PK-53



Available drilling methods:

(A) (C)

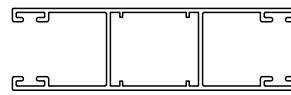
PP-66



Available drilling methods:

(A) (B)

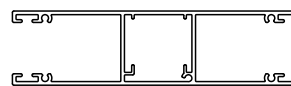
PPD-79-XX



Available drilling methods:

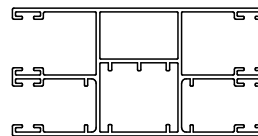
(B)

PPDW-105



The guide is not drilled for screws.

PPDM-80-XX



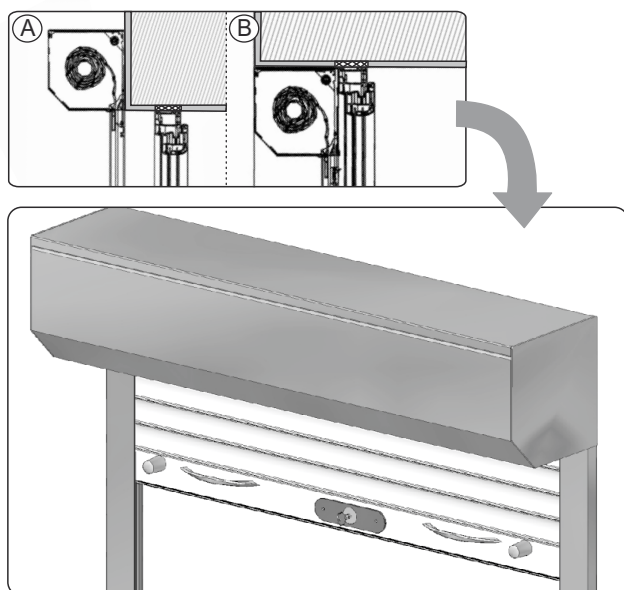
Available drilling methods:

(B)

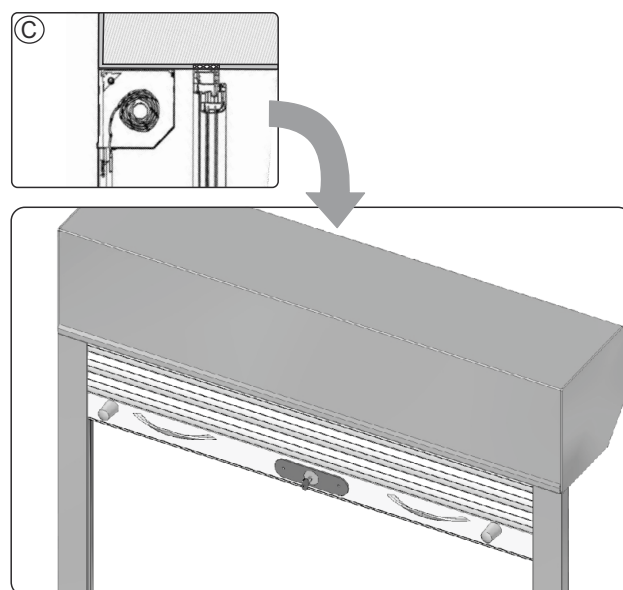
Front mounted roller shutter system Installation of the cylinder lock in the bottom lath

Methods of mounting the cylinder lock in the front mounted roller shutter bottom lath:

A, B type installation

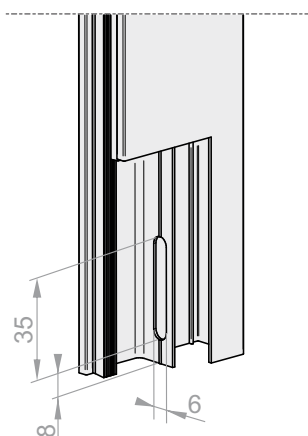


C type installation



The side of the cylinder lock with the covering plate is visible in the above drawings. The lock with mounting screws is located on the inside.

Milling guides for a cylinder lock – front mounted roller shutters.



PP-53 (milling in PP-66, PPD-79, PK-53, PPDM-53 guides is made in the similar way).

ST2000® front mounted roller shutter system Recommended box sizes in individual box sizes

ST2000®

PA-39, PA-45, PA-52 curtain (including profile plugs)

| Box size (mm) | width 0.35-2 m, max.area 6.5 m ² | | | width 0.35-2.5 m, max. area 6.5 m ² | | | width 0.35-3 m, max. area 6.5 m ² | | | width 0.35 - 3.7 m, max. area 8 m ² | |
|---------------|---|--------------------------|----------------------------|--|--------------------------|----------------------------|---|--------------------------|----------------------------|--|----------------------------|
| | Maximum height of the roller shutter with box | | | Maximum height of the roller shutter with box | | | Maximum height of the roller shutter with box | | | Maximum height of the roller shutter with box | |
| | | with automatic bolt (cm) | with blocking bracket (cm) | | with automatic bolt (cm) | with blocking bracket (cm) | | with automatic bolt (cm) | with blocking bracket (cm) | | with blocking bracket (cm) |
| ALUMINIUM | PA-39 ø 40+PZ50 | PA-39 ø 40-rygiel | PA-39 ø 40-WB | PA-39 ø 60+PZ70 | PA-39 ø 60-rygiel | PA-39 ø 60-WB | PA-45 ø 60+PZ70 | PA-45 ø 60-rygiel | PA-45 ø 60-WB | PA-52 ø 60+PZ70 | PA-52 ø 60-WB |
| SK-137 | 152 | 152 | 142 | 126 | 126 | X | X | X | | X | X |
| SK-150 | 197 | 197 | 186 | 182 | 182 | 151 | 126 | 121 | | X | X |
| SK-165 | 250 | 250 | 242 | 236 | 236 | 199 | 163 | 168 | | 138 | 120 |
| SK-180 | 306 | 306 | 310 | 294 | 294 | 282 | 214 | 214 | | 196 | 190 |
| SK-205 | 394 | 394 | 402 | 398 | 398 | 359 | 294 | 294 | | 270 | 260 |

Note! With the roller shutter width of more than 2 m, use ø 60. PZ - expansion ring from ø 40 to ø 50 or from ø 60 to ø 70.

ST2000® WITH MOSQUITO NET

PA 39, PA 45 curtain (including profile plugs) width 0.55 - 1.80 m, max. area 4.5 m²

| Box size (mm) | Maximum height of the roller shutter with box | | | Maximum height of the roller shutter with box | | | Maximum height of the roller shutter with box | | |
|---------------|---|--------------------------|----------------------------|---|--------------------------|----------------------------|---|--------------------------|----------------------------|
| | | with automatic bolt (cm) | with blocking bracket (cm) | | with automatic bolt (cm) | with blocking bracket (cm) | | with automatic bolt (cm) | with blocking bracket (cm) |
| ALUMINIUM | PA-39 ø 40+PZ50 | PA-39 ø 40-rygiel | PA-39 ø 40-WB | PA-39 ø 60+PZ70 | PA-39 ø 60-rygiel | PA-39 ø 60-WB | PA-45 ø 60+PZ70 | PA-45 ø 60-rygiel | PA-45 ø 60-WB |
| SK-137 | X | X | X | X | X | X | X | X | X |
| SK-150 | 108 | 108 | 108 | X | X | X | X | X | X |
| SK-165 | 176 | 179 | 144 | 156 | 156 | 121 | X | X | X |
| SK-180 | 224 | 228 | 216 | 200 | 200 | 200 | X | X | X |
| SK-205 | 250 | 250 | 250 | 250 | 250 | 250 | 250 | 250 | 250 |

Note! With the roller shutter width of more than 2 m (for divisions in one box) use ø 60. The minimum width of the roller shutter with slowing system for mosquito net is 67 cm. PZ - expansion ring from ø 40 to ø 50 or from ø 60 to ø 70.

RL2000® front mounted roller shutter system Recommended box sizes in individual box sizes

RL2000®

PA 39, PA 45 curtain (including profile plugs)

width 0.35-2 m, max. area 6.5 m² | width 0.35-2.5 m, max. area 6.5 m² | width 0.35-3 m, max. area 6.5 m²

| Box size (mm) | Maximum height of the roller shutter with box | | | Maximum height of the roller shutter with box | | | Maximum height of the roller shutter with box | | |
|---------------|---|--------------------------|----------------------------|---|--------------------------|----------------------------|---|--------------------------|----------------------------|
| | | with automatic bolt (cm) | with blocking bracket (cm) | | with automatic bolt (cm) | with blocking bracket (cm) | | with automatic bolt (cm) | with blocking bracket (cm) |
| ALUMINIUM | PA-39 ø 40+PZ50 | PA-39 ø 40-rygiel | PA-39 ø 40-WB | PA-39 ø 60+PZ70 | PA-39 ø 60-rygiel | PA-39 ø 60-WB | PA-45 ø 60+PZ70 | PA-45 ø 60-rygiel | PA-45 ø 60-WB |
| SK-150 | 197 | 197 | 194 | 182 | 182 | 151 | 126 | | 121 |
| SK-180 | 286 | 286 | 298 | 294 | 302 | 267 | 214 | | 214 |
| SK-205 | 394 | 394 | 402 | 398 | 410 | 359 | 294 | | 294 |

Note! For roller shutter width of more than 2 m, use ø 60
PZ - expansion ring from ø 40 to ø 50 or from ø 60 to ø 70

RL2000® WITH MOSQUITO NET

PA-39, PA-45 curtain (including profile plugs)

width 0.55 - 1.80 m, max. area 4.5 m²

| Box size (mm) | Maximum height of the roller shutter with box | | | Maximum height of the roller shutter with box | | | Maximum height of the roller shutter with box | | |
|---------------|---|--------------------------|----------------------------|---|--------------------------|----------------------------|---|--------------------------|----------------------------|
| | | with automatic bolt (cm) | with blocking bracket (cm) | | with automatic bolt (cm) | with blocking bracket (cm) | | with automatic bolt (cm) | with blocking bracket (cm) |
| ALUMINIUM | PA-39 ø 40+PZ50 | PA-39 ø 40-rygiel | PA-39 ø 40-WB | PA-39 ø 60+PZ70 | PA-39 ø 60-rygiel | PA-39 ø 60-WB | PA-45 ø 60+PZ70 | PA-45 ø 60-rygiel | PA-45 ø 60-WB |
| SK-150 | 108 | 108 | 108 | X | X | X | X | X | X |
| SK-180 | 224 | 224 | 216 | 200 | 200 | 200 | X | X | X |
| SK-205 | 250 | 250 | 250 | 250 | 250 | 250 | 250 | 250 | 250 |

Note! With the roller shutter width of more than 2 m (for divisions in one box) use ø 60.
The minimum width of the roller shutter with slowing system for mosquito net is 67 cm.
PZ - expansion ring from ø 40 to ø 50 or from ø 60 to ø 70

OS2000®

PA-39, PA-45, PA-52 curtain (including profile plugs)

width 0.35-2 m, max.area 6.5 m² | width 0.35 - 2.5 m, max. area 6.5 m² | width 0.35 - 3 m, max. area 6.5 m² | width 0.35 - 3.7 m, max. area 8 m²

| Box size (mm) | Maximum height of the roller shutter with box | | | Maximum height of the roller shutter with box | | | Maximum height of the roller shutter with box | | | Maximum height of the roller shutter with box | |
|---------------|---|--------------------------|----------------------------|---|--------------------------|----------------------------|---|--------------------------|----------------------------|---|----------------------------|
| | | with automatic bolt (cm) | with blocking bracket (cm) | | with automatic bolt (cm) | with blocking bracket (cm) | | with automatic bolt (cm) | with blocking bracket (cm) | | with blocking bracket (cm) |
| ALUMINIUM | PA-39 ø 40+PZ50 | PA-39 ø 40-rygiel | PA-39 ø 40-WB | PA-39 ø 60+PZ70 | PA-39 ø 60-rygiel | PA-39 ø 60-WB | PA-45 ø 60+PZ70 | PA-45 ø 60-rygiel | PA-45 ø 60-WB | PA-52 ø 60+PZ70 | PA-52 ø 60-WB |
| SK-137 | 152 | 152 | 142 | 126 | 126 | X | X | X | X | X | X |
| SK-165 | 250 | 250 | 242 | 236 | 236 | 199 | 163 | 168 | 138 | 120 | |
| SK-180 | 306 | 306 | 310 | 294 | 294 | 282 | 214 | 214 | 196 | 190 | |
| SK-205 | 394 | 394 | 402 | 398 | 398 | 359 | 294 | 294 | 270 | 260 | |

Note! For roller shutter width of more than 2 m, use ø 60
PZ - expansion ring from ø 40 to ø 50 or from ø 60 to ø 70

OS2000® WITH MOSQUITO NET

PA 39, PA 45 curtain (including profile plugs)

width 0.55 - 1.80 m, max. area 4.5 m²

| Box size (mm) | Maximum height of the roller shutter with box | | | Maximum height of the roller shutter with box | | | Maximum height of the roller shutter with box | | |
|---------------|---|--------------------------|----------------------------|---|--------------------------|----------------------------|---|--------------------------|----------------------------|
| | | with automatic bolt (cm) | with blocking bracket (cm) | | with automatic bolt (cm) | with blocking bracket (cm) | | with automatic bolt (cm) | with blocking bracket (cm) |
| ALUMINIUM | PA-39 ø 40+PZ50 | PA-39 ø 40-rygiel | PA-39 ø 40-WB | PA-39 ø 60+PZ70 | PA-39 ø 60-rygiel | PA-39 ø 60-WB | PA-45 ø 60+PZ70 | PA-45 ø 60-rygiel | PA-45 ø 60-WB |
| SK-137 | X | X | X | X | X | X | X | X | X |
| SK-165 | 176 | 152 | 144 | 156 | 156 | 121 | X | X | X |
| SK-180 | 224 | 228 | 216 | 200 | 200 | 200 | X | X | X |
| SK-205 | 250 | 250 | 250 | 250 | 250 | 250 | 250 | 250 | 250 |

Note! With the roller shutter width of more than 2 m (for divisions in one box) use ø 60. The minimum width of the roller shutter with slowing system for mosquito net is 67 cm. PZ - expansion ring from ø 40 to ø 50 or from ø 60 to ø 70.

IT2000® front mounted roller shutter system Recommended box sizes in individual box sizes

IT2000®

PA-39, PA-45, PA-52 curtain (including profile plugs)

width 0.35-2 m, max.area 6.5 m² width 0.35-2.5 m, max. area 6.5 m² width 0.35-3 m, max. area 6.5 m² width 0.35 - 3.7 m, max. area 8 m²

| Box size (mm) | Maximum height of the roller shutter with box | | | Maximum height of the roller shutter with box | | | Maximum height of the roller shutter with box | | | Maximum height of the roller shutter with box | |
|---------------|---|--------------------------|----------------------------|---|--------------------------|----------------------------|---|--------------------------|----------------------------|---|----------------------------|
| | | with automatic bolt (cm) | with blocking bracket (cm) | | with automatic bolt (cm) | with blocking bracket (cm) | | with automatic bolt (cm) | with blocking bracket (cm) | | with blocking bracket (cm) |
| ALUMINIUM | PA-39 ø 40+PZ50 | PA-39 ø 40-rygiel | PA-39 ø 40-WB | PA-39 ø 60+PZ70 | PA-39 ø 60-rygiel | PA-39 ø 60-WB | PA-45 ø 60+PZ70 | PA-45 ø 60-rygiel | PA-45 ø 60-WB | PA-52 ø 60+PZ70 | PA-52 ø 60-WB |
| SK-137 | 152 | 152 | 142 | 126 | 126 | X | X | | X | X | X |
| SK-165 | 250 | 250 | 242 | 236 | 236 | 199 | 163 | | 168 | 138 | 120 |
| SK-180 | 306 | 306 | 310 | 294 | 294 | 282 | 214 | | 214 | 196 | 190 |
| SK-205 | 394 | 394 | 402 | 398 | 398 | 359 | 294 | | 294 | 270 | 260 |

Note! With the roller shutter width of more than 2 m, use ø 60.

Motor with an emergency lifting mechanism - NHK cannot be installed in IT2000 roller shutters. PZ - expansion ring from ø 40 to ø 50 or from ø 60 to ø 70.

IT2000® WITH MOSQUITO NET

PA-39, PA-45 curtain (including profile plugs)

width from 0.55 - 1.80 m, max. area 4.5 m²

| Box size (mm) | Maximum height of the roller shutter with box | | | Maximum height of the roller shutter with box | | | Maximum height of the roller shutter with box | | |
|---------------|---|--------------------------|----------------------------|---|--------------------------|----------------------------|---|--------------------------|----------------------------|
| | | with automatic bolt (cm) | with blocking bracket (cm) | | with automatic bolt (cm) | with blocking bracket (cm) | | with automatic bolt (cm) | with blocking bracket (cm) |
| ALUMINIUM | PA-39 ø 40+PZ50 | PA-39 ø 40-rygiel | PA-39 ø 40-WB | PA-39 ø 60+PZ70 | PA-39 ø 60-rygiel | PA-39 ø 60-WB | PA-45 ø 60+PZ70 | PA-45 ø 60-rygiel | PA-45 ø 60-WB |
| SK-137 | X | X | X | X | X | X | X | X | X |
| SK-165 | 176 | 179 | 144 | 156 | 156 | 121 | X | X | X |
| SK-180 | 224 | 228 | 216 | 200 | 200 | 200 | X | X | X |
| SK-205 | 250 | 250 | 250 | 250 | 250 | 250 | 250 | 250 | 250 |

Note! With the roller shutter width of more than 2 m (for divisions in one box) use ø 60.

Motor with an emergency lifting mechanism - NHK cannot be installed in IT2000 roller shutters with mosquito net.

With the use of the slowing system, the minimum width of the roller shutter with mosquito net is 67 cm.

PZ - expansion ring from ø 40 to ø 50 or from ø 60 to ø 70.



DECLARATION OF PERFORMANCE


- Nr. **001/2019**
1. Unique identification code of the product-type: Front mounted shutters - ST2000®, RL2000®, OS2000®, OL2000®, IT2000®.
2. Intended use/es: Front mounted shutters
3. Manufacturer: PORTOS TR7 spółka z ograniczoną odpowiedzialnością spółka komandytowa
4. Authorised representative: Not applicable
5. System/s of AVCP: 4
- 6.
- a) Harmonised standard: EN 13659:2015-07
Notified body/ies: Not applicable
- b) European Assessment Document: Not applicable
European Technical Assessment: Not applicable
Technical Assessment Body: Not applicable
Notified body/ies: Not applicable
7. Declared performance/s:

| Essential characteristics | Test result / Performance | Reference document |
|---------------------------|---|---------------------|
| Wind load resistance | Meets the requirements at guide opening width S for: S ≤ 2,7 m - class 2 S ≤ 2,4 m - class 3 S ≤ 2,0 m - class 4 S ≤ 1,7 m - class 5 S ≤ 1,5 m - class 6 S ≤ 1,3 m - class 6 | PN-EN 13659:2015-07 |

8. Appropriate Technical Documentation and/or Specific Technical Documentation: Not applicable

The performance of the product identified above is in conformity with the set of declared performance/s. This declaration of performance is issued, in accordance with Regulation (EU) No 305/2011, under the sole responsibility of the manufacturer identified above.

Signed for and on behalf of the manufacturer by:

WŁAŚCICIEL
Tomasz Szukalski

Tomasz Szukalski
Owner
Kalisz, 02.12.2019

